

WARRANTY CONDITIONS

This product is guaranteed against faults caused by defects in manufacturing or the materials used for a period of two years, starting from the date of purchase.* This warranty does not cover defects or damage caused by failure to install the device correctly, incorrect use of the product, or excessive wear and tear.

*proof of purchase required.

CONDITION DE GARANTIE

Ce produit est garanti pour une période de 2 ans à partir de la date d'achat*, contre toute défaillance résultant d'un vice de fabrication ou de matériau. Cette garantie ne couvre pas les vices ou les dommages résultant d'une mauvaise installation, d'une utilisation incorrecte ou de l'usure anormale du produit.

*sur présentation du ticket de caisse.

GARANTIEVOORWAARDEN

Dit product wordt gegarandeerd voor een periode van 2 jaar vanaf de aankoopdatum*, voor elke storing die het gevolg is van een fabricagefout of het materiaal. Gebreken of schade door slechte installatie, onjuist gebruik of abnormale slijtage van het product worden niet gedekt door deze garantie.

*op vertoon van kassabon.

CONDICIONES DE GARANTÍA

El certificado de garantía de este producto tiene una duración de 3 años a partir de la fecha de compra* que se limita a los defectos de fabricación y averías del material. Se excluyen de la garantía deficiencias o daños originados por una mala instalación, errores en la manipulación o por un uso inadecuado.

*previa presentación del comprobante de compra.

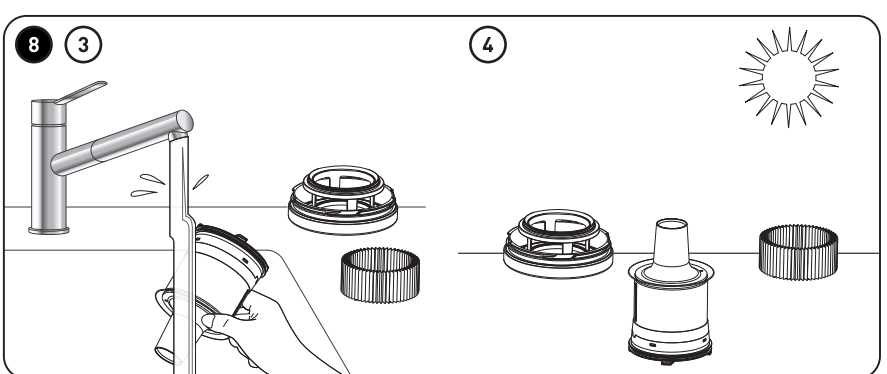
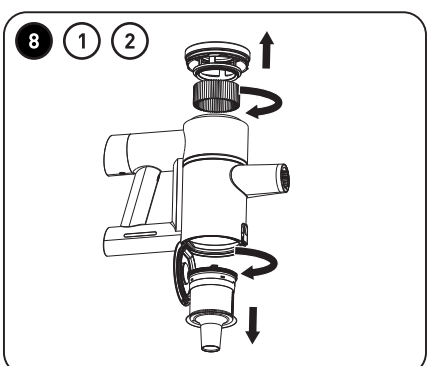
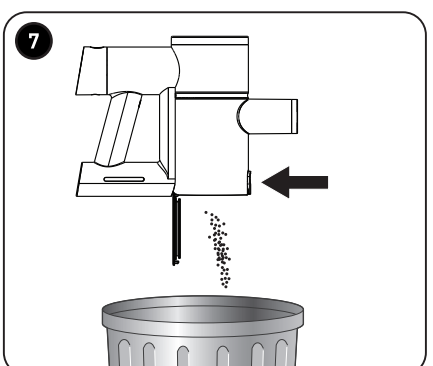
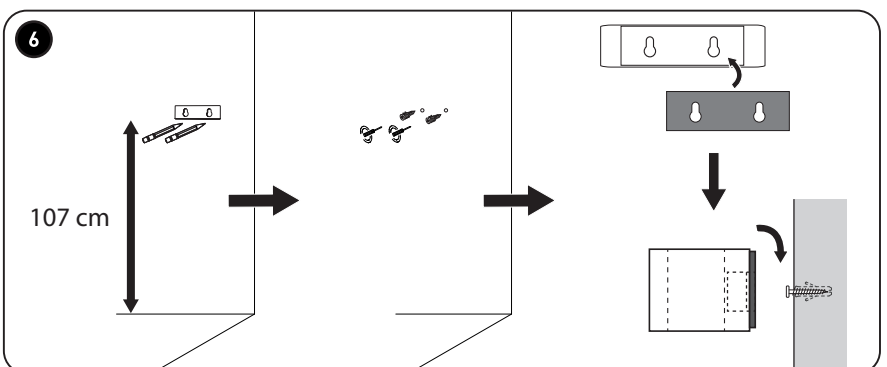
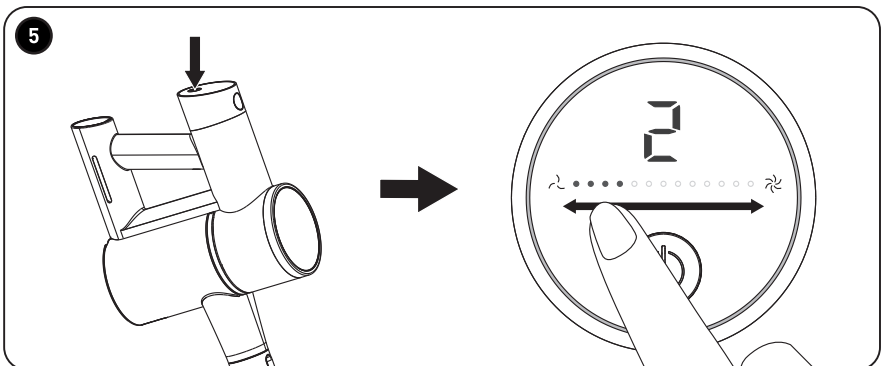
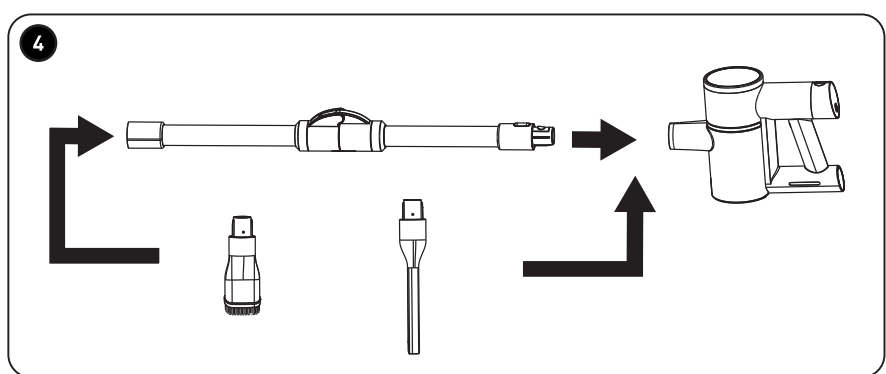
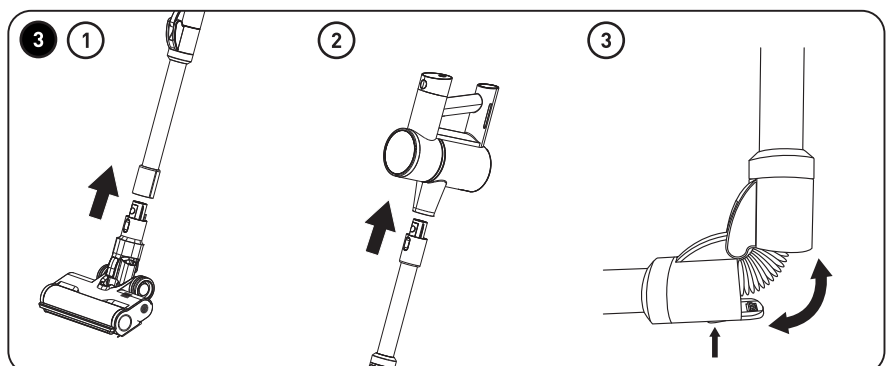
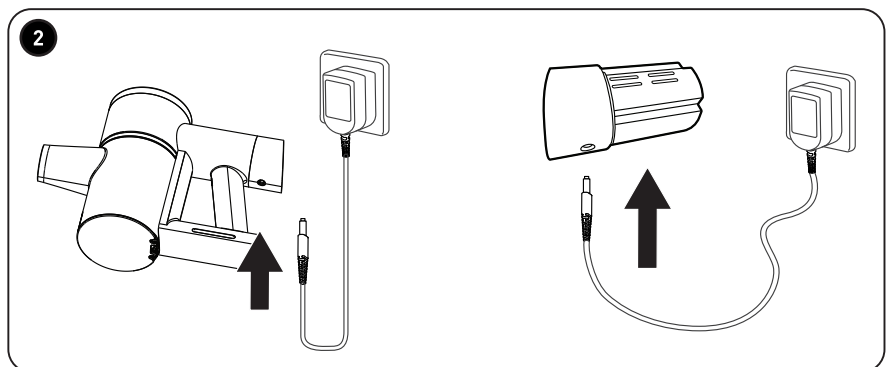
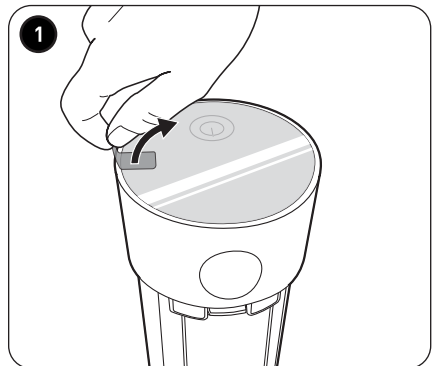
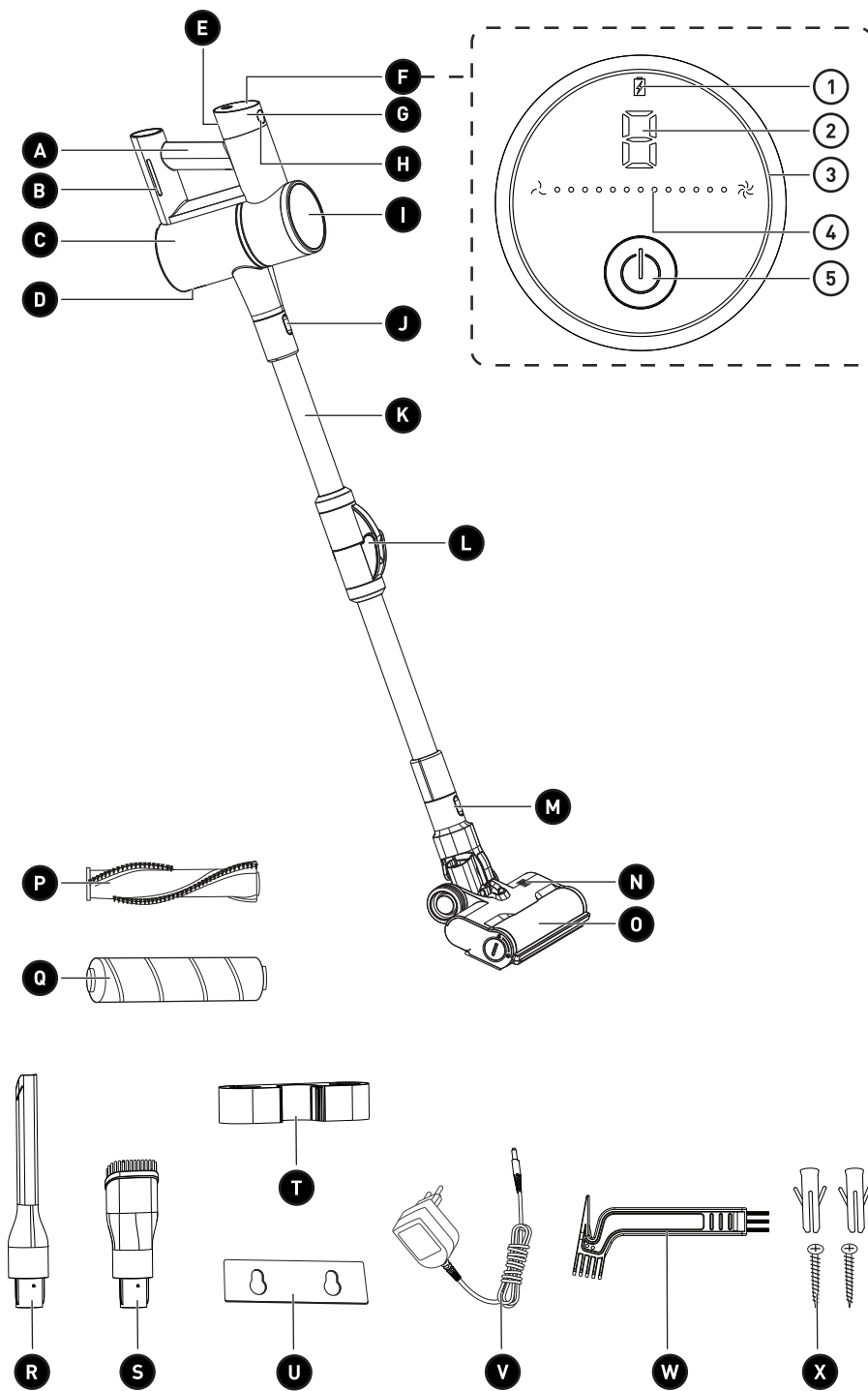
Stick vacuum cleaner
Aspirateur balai
Steelstofzuiger
Aspirador de palo

981053 - CYCLONIC S10 FLEX

INSTRUCTIONS FOR USE02
 CONSIGNES D'UTILISATION16
 GEBRUIKSAANWIJZINGEN32
 INSTRUCCIONES DE USO48

ELECTRO DEPOT
1 route de Vendeville
59155 FACHES-THUMESNIL - FRANCE





Thank you!

Thank you for choosing this VALBERG product. VALBERG products are chosen, tested, and recommended by ELECTRO DEPOT, so you can be sure you are getting a top-quality, easy-to-use product that won't let you down.

We're confident your new device will be a pleasure to use every day!

Welcome to ELECTRO DEPOT.



Table of Contents

A

Product overview

Parts
Product overview
Intended use
Specifications

B

Product usage

Charging the vacuum cleaner
Using the vacuum cleaner
Installing the wall mount

C

Cleaning and maintenance

Cleaning and maintenance
Troubleshooting
Storage

Parts

- A** Main unit with handle
- B** Air vent
- C** Dust cup with filter assembly inside
- D** Dust cup lid release button
- E** Battery charging port
- F** Control panel with LED screen
- 1** Battery charging indicator
- 2** Power level indicator (level 1-6)
- 3** Circular power/battery indicator light
- 4** Touch screen power level button
- 5** ON/OFF button
- G** Battery pack
- H** Battery pack release button
- I** Filter lid with HEPA filter and foam filter
- J** Tube release button
- K** Extension tube with flexible joint

- L** Flexible joint release button
- M** Motorised brush release button
- N** Motorised brush with LED lights (multi-angle)
- O** Bristle/roller bar lock
- P** Bristle bar (for use in the motorised floor brush)
- Q** Roller bar (for use in the motorised floor brush)
- R** Crevice tool for hard-to-reach places
- S** Mini brush tool for difficult dirt on furniture, floors and carpets
- T** Wall mount bracket
- U** Adhesive wall mount pad
- V** AC adapter
- W** Small cleaning tool
- X** Wall plugs and screws (x2) for the wall mount

Product overview

- Unpack and remove all labels from the unit except the nameplate. Please check that all of the unit's parts are included and intact. If the unit is damaged or faulty, do not use it and take it to your retailer or after-sales service centre.
- Keep all packaging out of the reach of children. There is a risk of accidents if children play with packaging materials.

Intended use

- This vacuum cleaner is for household use only. It has not been designed for industrial or professional use by cleaning companies.
- Any other use may damage the unit or cause injury.

Specifications

Model:	981053 - CYCLONIC S10 FLEX
Vacuum cleaner	
Power:	18.5 VDC, 220 W max.
Dust cup capacity:	0.45 L
Suction power:	High speed (level 6) – 60 W Medium speed (level 4) – 45 W Low speed (level 1) – 13 W
Noise level:	High speed (level 6) ≤80 dB Medium speed (level 4) ≤78 dB Low speed (level 1) ≤75 dB
Vacuum pressure:	High speed (level 6) – 17 kPa Medium speed (level 4) – 13 kPa Low speed (level 1) – 6 kPa
Rechargeable Li-ion battery:	18 V (3.6 V x 5 pieces), 2500 mAh
Charging time:	3.5 hours
Operation time:	High speed (level 6) – 10 minutes Medium speed (level 4) – 15 minutes Low speed (level 1) – 40 minutes
Protection class:	Class II

AC adapter

Published information	Value and precision	Unit
Company name or registered trademark, business registration number and manufacturer's address:	ELECTRO DEPOT/R.C.S. 433 744 539 1 route de Vendeville, 59155 Faches Thumesnil, FRANCE	-
Model reference:	ZD012M220080EU	-
Input voltage:	AC 100-240	V
Input current frequency:	50/60	Hz
Output voltage:	22	V dc
Output current:	0.8	A
Output power:	17.6	W
Average efficiency in active mode:	84.89	%
Low load efficiency (10%):	74.89	%
No-load power consumption:	0.1W	W

Charging the vacuum cleaner

Fully charge the vacuum cleaner before the first use, after each use, or whenever the battery level is low.

Before first use:

- 1 Remove the plastic tab on the battery pack.

Before charging:

- Always attach the filters to the main unit (see **Detaching the filters** in the **Cleaning and Maintenance** section).
- When the battery level is low, the circular battery indicator light will flash red during use to remind the user to charge the unit. If there is insufficient power, the unit will automatically stop.




NOTE:

- The AC adapter may get warm whilst charging. This is normal.
- To ensure the longevity of the battery and the product's lifespan, recharge the vacuum cleaner whenever the battery has run out even if you do not plan to use it.

- 2 Make sure the vacuum cleaner is off. You can charge the unit when it is fully assembled, or you can remove the battery pack by pressing the battery pack release button and sliding the battery pack out of the main unit.

Reinsert the battery pack into the main unit after charging making sure it clicks firmly into place.

Securely connect the AC adapter cable to the battery charging port on the end of the main unit. Then, firmly plug the AC adapter into a suitable mains socket.

- The battery charging indicator  will appear on the control panel and the circular battery indicator light will flash white while the unit is charging.
- Once the unit is fully charged, the white circular battery indicator light will display constantly (steady) for 1 minute and then the LED screen will turn off.
- It takes approximately 3.5 hours to fully charge the battery. Fully charge the battery before first use.
- Once fully charged, the vacuum cleaner has a usage time of approximately:

Power level	Usage time (minutes)
High (level 6)	10
Medium (level 4)	15
Low (Level 1)	40

When you have finished charging the unit, unplug the AC adapter from the mains socket before removing the AC adapter charging cable from the vacuum cleaner.

- The battery level status appears on the LED screen as follows:

Circular battery indicator light	Battery level status
Flashing red	Low battery warning, less than 20% power is remaining. Charge the unit.
Flashing white	20-50% power is remaining.
Solid white	50-100% power is remaining.



WARNING!

- Only use the removable power supply (AC adapter) provided with this unit to recharge the battery: HC-2116A
- The unit will not work when charging. Never attempt to use it when charging.
- Do not leave the unit overnight or unattended when charging.
- Do not charge the battery at temperatures below 0°C or above 50°C.

Using the vacuum cleaner



WARNING!

- Never use the unit without the filters.
- Make sure the unit is switched off and unplugged from the mains socket before attaching or changing any tools.

Attaching the tools

Select the desired vacuum tool and attach it to the main unit with the extension tube (for upright vacuum use) or without the extension tube (for handheld use), according to the task in hand.

- ① Insert the motorised brush into the bottom of the extension tube. Make sure the grooves on the end of the extension tube are aligned with the ridges on the motorised brush. Push both parts together until you hear a click.
- ② Next, insert the other end of the extension tube into the main unit's air inlet (making sure you align the grooves with the ridges) until you hear a click. The tool can also be connected directly to the main unit.
- ③ When using the extension tube, you can change the angle of the extension tube by pressing the flexible joint release button and then gently bending the extension tube. Simply bend the joint back until it clicks into place to make the extension tube rigid.

- Motorised floor brush:
 - **with bristles** – use to clean all floor types, including smooth, hard surfaces and carpets that require a deep clean. Attach the floor brush with bristle bar (or roller bar depending on the floor surface) directly to the handheld vacuum to easily vacuum stairs.
 - **with roller** – use on surfaces that mark easily as well as smooth, hard surfaces, such as parquet floors, to maximise dust removal.
- The LED lights on the front of the brush illuminate dark corners or spaces under furniture.
- The motorised brush features a multi-angle neck joint which allows the user to vacuum with the extension tube or main unit at a 90-degree angle (e.g. staircases) or at a low angle (e.g. under a bed or sofa). The multi-angle neck joint also allows you to turn the brush left or right for easy control.



NOTE: The motorised brush may scratch or damage certain types of flooring or carpet. Make sure to test the surface before using the brush on delicate surfaces. Alternatively, use the mini brush tool, if suitable.

- 4 Securely insert the crevice tool or the mini brush tool into the extension tube or the main unit's air inlet.
 - Crevice tool – perfect for vacuuming tight corners and small spaces.
 - Mini brush tool – for general dusting purposes; it is great for dusting furniture, shelves, etc.
 - The extension tube gives you extra reach to vacuum cobwebs or hard-to-reach areas.

Detaching the tools

- Make sure the unit is switched off.
- Pull off the crevice tool/mini brush tool or press the release button on the extension tube/motorised brush to detach the tools from the main unit.

Operation

- 5 1. To turn on the vacuum, press the ON/OFF button. The LED screen turns on, the power level indicator will show the number **2**. (The default setting is power level 2.) During use the circular battery indicator light shows the current battery level (see table above which shows the battery status level).
2. Touch the screen power level button along the line of dots to change the power level from low level (1) to high level (6).
3. To turn off the vacuum, press the ON/OFF button again.
 - Empty the dust cup before its contents exceed the MAX mark (see **Emptying the dust cup** in the **Cleaning and maintenance** section).
 - Once you have finished using the unit, always turn it off. To clean the unit, follow the instructions in the **Cleaning and maintenance** section.
 - Charge the vacuum cleaner after each use to ensure the unit is fully charged and ready for the next use.

**NOTE:**

- When vacuuming heavily soiled surfaces, regularly turn the unit off and check the mouth of the tool is clean to avoid scratching delicate surfaces.
- To prevent blocking the vacuum, remove large pieces of waste, such as paper or plastic, from the area before vacuuming.

Installing the wall mount

**NOTE:**

- Securely install the wall mount on a wall that is strong enough to support the weight of the unit.
- Install the wall mount in a dry area, away from extreme heat or cold, and ideally close to a mains socket.

The wall mount (with the supplied wall plugs, screws and adhesive wall mount pad) can be installed to easily store the vacuum cleaner.

- 6 Place the wall mount pad on the wall, leaving a space of **at least 107 cm** between the floor and the bottom of the wall mount pad. Mark the drill holes for the screws with a pencil. Then, drill the holes and insert the wall plugs. Insert the screws and tighten them with a screwdriver making sure they sit proud approx. 5 mm from the wall. Remove the white adhesive covers from the adhesive wall mount pad and attach it to the back of the wall mount bracket (making sure all holes are aligned). Then stick the wall bracket onto the wall, again making sure all the holes are aligned.

**DANGER! RISK OF ELECTRIC SHOCK**

- Do not pierce the electric cables or water pipes located in the wall.
- Do not install the wall mount on a metal wall.

Cleaning and maintenance



WARNING!

- To prevent the risk of electrocution, always turn off and unplug the unit from the mains supply before cleaning.
- Never immerse the main unit, motorised brush, AC adapter or cable in water or any other liquid. Never rinse them under the tap.



NOTE: Never use solvents, chemical or abrasive cleaning products, wire brushes, sharp objects or scouring pads to clean the unit.

- Detach all the tools from the main unit before cleaning.
- Empty the dust cup after each use.
- Clean the dust cup and filters at least once a month or more often if required.

Main unit	Wipe with a slightly damp, soft cloth. Dry well.
Motorised brush	
Extension tube	
Dust cup	
HEPA/Foam filter	Rinse under a tap or wash in soapy water with a soft sponge. Shake off any excess water and allow to completely air dry.
Filter assembly	
Crevice tool	
Mini brush tool	



- Once dried, re-assemble all parts.

Emptying the dust cup

- To empty the dust cup, turn off the vacuum cleaner.
- Detach the extension tube and/or vacuum tool from the main unit's air inlet.

1. Hold the main unit vertically over a bin. Press down on the dust cup lid release button.
2. The lid on the bottom of the dust cup will flip open. Close the lid after emptying the contents.

Detaching the filters

- 8 ① Press the dust cup lid release button. Reach inside the dust cup and twist the bottom part of the filter assembly clockwise towards the  icon. Tap the filter assembly over a bin to dislodge the dust. If necessary, rotate the filter assembly and tap again to remove all of the dirt.
 - ② Twist and then pull off the filter lid. Remove the foam filter from the HEPA filter that is connected to the filter lid.
 - ③ Clean the dust cup with a damp, soft cloth. Rinse the filter assembly parts and the foam filter under a tap.
 - ④ Shake off any excess water and dry all parts completely.
- To re-assemble the filters, carry out the steps in reverse order. Place the filter assembly into the dust cup and twist anti-clockwise towards the  icon until it locks into place. Close the dust cup lid making sure it clicks firmly into place. Put the foam filter into the filter lid and then place the filter lid firmly back onto the unit.





WARNING! To prevent damage to the unit, only use dry, undamaged filters!

Cleaning the bristle/roller bar and wheels

If the bristle/roller bar or wheels of the motorised brush become blocked or jammed, turn off the unit.

Cleaning the bristle/roller bar

- 9 ① Press the motorised floor brush release button and separate the motorised floor brush from the extension tube or main unit.
 - ② Use a coin to turn the screw anticlockwise towards the unlock symbol .
 - ③ Pull the right side of the bristle/roller bar, then slide the left side off the pin that holds it in place.
 - ④ Regularly remove all hair, fur and debris to ensure your vacuum cleaner maintains its optimal performance. Use a pair of scissors to carefully remove hair, fur, thread, or any other items that may have become entangled in the bristle/roller bar. Tap the bristle/roller bar to remove any dust. If the bristle/roller bar are very dirty, wash them with water and let them dry completely.
- Use a damp cloth to clean the motorised floor brush's housing. Do not immerse it in water.

- To reassemble, slide the bristle or roller bar back into the compartment. Put a coin into the coin slot on the bristle/roller bar lock. Twist the coin towards the lock symbol . Make sure the bristle/roller bar spins smoothly.

Cleaning the wheels

- 1 If thread or dirt is jamming one of the wheels, carefully insert a screwdriver under the wheel axle and push upwards to prise it out. Remove any thread or object jamming the wheel.
- 2 Reposition the wheel by firmly pressing it back into its compartment. Make sure it spins smoothly.

Cleaning the accessories

Separate the tube from the accessories or the handheld vacuum. Remove any obstructions and wash with water. Dry thoroughly before using the unit again or putting it away for a long period of time.

11 Cleaning with the multi-purpose tool

When cleaning any part of the vacuum, the multi-purpose tool can be used to remove dust and debris from any of its hard-to-clean areas, such as the filters and their compartments.

Clearing blockages

Small objects, carpet fibres, etc., can occasionally jam the vacuum cleaner.

- If you notice a blockage or loss of suction during use, turn off the vacuum cleaner.
- Detach the extension tube and/or vacuum tool to find the blockage and clear it.

Troubleshooting

Use this troubleshooting guide to resolve any common problems that you may encounter with the unit. If the problem persists, do not use the unit and contact an authorised repair centre to have it inspected and if necessary, repaired.

Problem	Possible Cause	Solution
The unit does not work.	<ul style="list-style-type: none"> • The unit is not charged. • The dust cup is full. • The filters are not attached properly. • The extension tube/ vacuum tool is blocked. • The unit is off. • The vacuum cleaner's battery or motor has overheated. • The AC adapter is not compatible with the vacuum cleaner. 	<ul style="list-style-type: none"> • Fully charge the battery. • Empty the dust cup. • Re-attach the filters. • Turn off the unit and clear the blockage. • Press the ON/OFF button to turn on the unit. • Turn off the unit and let it cool down completely. • When charging and using the unit, make sure that the ambient temperature is between 0°C and 50°C. • Only use the AC adapter supplied with the unit.
The unit only works for a short period of time after being charged.	<ul style="list-style-type: none"> • The unit was not fully charged. • The built-in rechargeable battery is faulty or has reached the end of its service life. 	<ul style="list-style-type: none"> • Fully charge the unit as indicated in the Charging the vacuum cleaner section. • The built-in rechargeable battery must be replaced by an authorised technician. Do not attempt to replace it yourself.
The motorised brush is not spinning.	<ul style="list-style-type: none"> • The bristle/roller bar or wheels are blocked by debris (hair, fur, fibres, etc.). 	<ul style="list-style-type: none"> • Clean the brush, bristle/roller bar or wheel as indicated in the Cleaning and maintenance section. Make sure the parts spin smoothly once they are re-assembled.
The suction is not strong, there is no suction or the motor vibrates.	<ul style="list-style-type: none"> • The extension tube, vacuum tool, dust cup or filters are partially blocked or full of dirt. 	<ul style="list-style-type: none"> • Remove the blockage. • Clean the filters. • If necessary, replace the filter with a new one.

Storage

- **12** When all parts are dry, reassemble and stow the unit on the wall mount as shown. Slot the crevice and mini brush tools into the slots on the wall mount.

Merci !

Merci d'avoir choisi ce produit VALBERG.
Choisis, testés et recommandés par ELECTRO DEPOT,
les produits de la marque VALBERG vous assurent
une utilisation simple, une performance fiable et
une qualité irréprochable.
Grâce à cet appareil, vous savez que chaque utilisation
vous apportera satisfaction.

Bienvenue chez ELECTRO DEPOT.

Visitez notre site Internet : www.electrodepot.fr
www.electrodepot.be

VOTRE AVIS COMPTE !



**PARTAGEZ
VOTRE EXPERIENCE
SUR LES PRODUITS**

Parce que votre satisfaction est notre priorité, nous vous proposons
de donner votre avis sur ce produit. Il sera transmis et analysé par
nos équipes afin d'améliorer continuellement le produit.

Donnez votre avis sur <http://www.electrodepot.fr/avis-client>



ELECTRO DEPOT

Table des matières

A

Aperçu de l'appareil

Description des pièces
Aperçu de l'appareil
Utilisation prévue
Caractéristiques

B

Utilisation de l'appareil

Chargement de l'aspirateur
Utilisation de l'aspirateur
Installation du support mural

C

Nettoyage et entretien

Nettoyage et entretien
Guide de dépannage
Rangement

Les notices sont aussi disponibles sur le site
<http://www.electrodepot.fr/sav/notices/>
<http://www.electrodepot.be/fr/sav/notices>

Description des pièces

- A** Unité principale avec poignée
- B** Sortie d'air
- C** Bac à poussière avec filtre à l'intérieur
- D** Bouton de déverrouillage du couvercle du bac à poussière
- E** Port de chargement de la batterie
- F** Panneau de commande avec écran LED
- 1** Voyant de chargement de la batterie
- 2** Indicateur du niveau de puissance (niveau 1-6)
- 3** Voyant de puissance/batterie circulaire
- 4** Bouton tactile de niveau de puissance
- 5** Bouton marche/arrêt
- G** Batterie
- H** Bouton de déverrouillage de la batterie
- I** Couvercle du filtre avec filtre HEPA et filtre en mousse
- J** Bouton de déverrouillage du tube
- K** Tube télescopique avec raccord flexible

- L** Bouton de déverrouillage du raccord flexible
- M** Bouton de déverrouillage de la brosse motorisée
- N** Brosse motorisée avec lumières LED (multi-angle)
- O** Verrou de rouleau à poils/rouleau brosse
- P** Rouleau à poils (à utiliser avec la brosse pour sols motorisée)
- Q** Rouleau brosse (à utiliser avec une brosse pour sols motorisée)
- R** Suceur plat pour les endroits difficiles d'accès
- S** Brosse mini pour les saletés tenaces sur les meubles, les sols et les moquettes
- T** Support de montage mural
- U** Autocollant pour montage mural
- V** Adaptateur secteur
- W** Petit outil de nettoyage
- X** Chevilles et vis (x 2) pour support mural

Aperçu de l'appareil

- Retirez l'emballage et toutes les étiquettes de l'appareil, à l'exception de la plaque signalétique. Veuillez vérifier que toutes les pièces de l'appareil sont présentes et intactes. Si l'appareil est endommagé ou défectueux, ne l'utilisez pas et rapportez-le à votre revendeur ou au service après-vente.
- Conservez tous les emballages hors de la portée des enfants. Il existe un risque d'accident si les enfants jouent avec les matériaux d'emballage.

Utilisation prévue

- Cet aspirateur est exclusivement destiné à un usage domestique. Il n'a pas été conçu pour une utilisation industrielle ou professionnelle par des sociétés de nettoyage.
- Toute autre utilisation est susceptible d'endommager l'appareil ou de provoquer des blessures.

Caractéristiques

Modèle :	981053 - CYCLONIC S10 FLEX
Aspirateur	
Puissance :	18,5 V CC, 220 W max.
Capacité du bac à poussière :	0,45 l
Puissance d'aspiration :	Vitesse rapide (niveau 6) – 60 W Vitesse moyenne (niveau 4) – 45 W Vitesse lente (niveau 1) – 13 W
Niveau sonore :	Vitesse rapide (niveau 6) ≤80 dB Vitesse moyenne (niveau 4) ≤78 dB Vitesse lente (niveau 1) ≤75 dB
Pression de l'aspirateur :	Vitesse rapide (niveau 6) – 17 kPa Vitesse moyenne (niveau 4) – 13 kPa Vitesse lente (niveau 1) – 6 kPa
Batterie Li-ion rechargeable :	18 V (3,6 V x 5 pièces), 2 500 mAh
Temps de chargement :	3,5 heures
Autonomie :	Vitesse rapide (niveau 6) – 10 minutes Vitesse moyenne (niveau 4) – 15 minutes Vitesse lente (niveau 1) – 40 minutes
Classe de protection :	Classe II

Adaptateur secteur

Informations publiées	Valeur et précision	Unité
Nom de la société ou marque déposée, numéro d'entreprise et adresse du fabricant :	ELECTRO DEPOT /R.C.S. 433 744 539 1 route de Vendeville, 59155 Faches Thumesnil, FRANCE	-
Référence du modèle :	ZD012M220080EU	-
Tension d'entrée :	AC 100-240	V
Fréquence du courant d'entrée :	50/60	Hz
Tension de sortie :	22	V dc
Courant de sortie :	0,8	A
Puissance en sortie :	17,6	W
Rendement moyen en mode actif :	84,89	%
Rendement en charge faible (10 %) :	74,89	%
Consommation électrique sans charge :	0,1	W

Chargement de l'aspirateur

Chargez complètement l'aspirateur avant la première utilisation, après chaque utilisation ou lorsque le niveau de la batterie est faible.

Avant la première utilisation :

- ❶ Retirez la languette en plastique de la batterie.

Avant le chargement :

- Fixez toujours les filtres à l'unité principale (voir la partie **Retrait des filtres** dans la section **Nettoyage et entretien**).
- Lorsque le niveau de la batterie est faible, le voyant de la batterie circulaire clignote en rouge pendant l'utilisation pour vous rappeler de charger l'appareil. En cas de puissance insuffisante, l'appareil s'arrête automatiquement.




REMARQUE :

- L'adaptateur secteur peut devenir chaud pendant la charge. Cela est normal.
- Pour garantir la longévité de la batterie et la durée de vie du produit, rechargez l'aspirateur dès que la batterie est vide, même si vous ne prévoyez pas de l'utiliser.

- ❷ Vérifiez que l'aspirateur est bien hors tension. Vous pouvez charger l'appareil une fois qu'il est entièrement assemblé, ou vous pouvez retirer la batterie en appuyant sur le bouton de déverrouillage de la batterie et en faisant glisser la batterie hors de l'unité principale. Placez à nouveau la batterie dans l'unité principale après l'avoir chargée, en vous assurant de l'enfoncer jusqu'à entendre un clic.

Branchez fermement le câble de l'adaptateur secteur au port de chargement de la batterie situé à l'extrémité de l'unité principale. Branchez ensuite fermement l'adaptateur secteur à une prise secteur adéquate.

- Le voyant de chargement de la batterie  apparaîtra sur le panneau de commande et le voyant de batterie circulaire clignotera en blanc pendant le chargement de l'appareil.
- Une fois l'appareil complètement chargé, le voyant de batterie circulaire restera allumé (fixe) pendant 1 minute et l'écran LED s'éteindra alors.
- Il faut environ 3,5 heures pour que la batterie se charge complètement. Chargez complètement la batterie avant la première utilisation.
- Une fois la batterie complètement chargée, l'aspirateur a une autonomie :

Niveau de puissance	Temps d'utilisation (minutes)
Élevé (niveau 6)	10
Moyen (niveau 4)	15
Bas (niveau 1)	40

Lorsque vous avez fini de charger l'appareil, débranchez d'abord l'adaptateur secteur de la prise secteur avant de débrancher le câble de l'adaptateur secteur de la prise de l'aspirateur.

- Les indications de niveau de la batterie s'affichent sur l'écran LED comme suit :

Voyant de batterie circulaire	Indication du niveau de la batterie
Voyant rouge clignotant	Avertissement de batterie faible, moins de 20 % de puissance restante. Chargez l'appareil.
Voyant blanc clignotant	20 à 50 % de puissance restante.
Voyant blanc fixe	50 à 100 % de puissance restante.



AVERTISSEMENT !

- N'utilisez que la source d'alimentation amovible (adaptateur secteur) fournie avec l'appareil pour la recharge de la batterie : HC-2116A
- L'appareil ne fonctionne pas pendant la charge. N'essayez jamais de l'utiliser pendant le chargement.
- Ne laissez pas l'appareil charger toute une nuit ou sans surveillance.
- Ne chargez pas la batterie à des températures inférieures à 0 °C ou supérieures à 50 °C.

Utilisation de l'aspirateur



AVERTISSEMENT !

- N'utilisez jamais l'appareil sans les filtres.
- Vérifiez que l'appareil est éteint et débranché de la prise secteur avant d'installer ou de changer des accessoires.

Installation des accessoires

Choisissez l'accessoire d'aspiration désiré et fixez-le à l'unité principale avec le tube télescopique (pour l'aspirateur balai) ou sans le tube télescopique (pour l'aspirateur à main), selon la tâche à accomplir.

- 1 Insérez la brosse motorisée dans la partie inférieure du tube télescopique. Assurez-vous que les rainures à l'extrémité du tube télescopique sont alignées avec les arêtes sur la brosse motorisée. Poussez les deux parties l'une vers l'autre jusqu'à entendre un clic.
- 2 Ensuite, insérez l'autre extrémité du tube télescopique dans l'entrée d'air de l'unité principale (en veillant à aligner les rainures et les arêtes) et poussez jusqu'à entendre un clic. Vous pouvez aussi connecter directement l'accessoire à l'unité principale.
- 3 Lorsque vous utilisez le tube télescopique, vous pouvez changer l'angle du tube en appuyant sur le bouton de déverrouillage du raccord flexible et en courbant délicatement le tube télescopique. Courbez simplement à nouveau le raccord pour l'insérer jusqu'à entendre un clic et redonner sa rigidité au tube télescopique.

- Brosse pour sols motorisée :
 - **avec poils** – utilisez-la sur tous les types de sols, y compris les surfaces dures et lisses et les moquettes nécessitant un nettoyage en profondeur. Fixez la brosse pour sols avec le rouleau à poils (ou le rouleau brosse suivant la surface du sol à nettoyer) directement à l'aspirateur à main pour passer facilement l'aspirateur dans des escaliers.
 - **avec rouleau** – utilisez-la sur les surfaces qui se rayent facilement, ainsi que sur les surfaces dures et lisses, telles que les parquets, pour optimiser l'élimination des poussières.
- Les LED situées à l'avant de la brosse permettent d'éclairer les coins sombres ou le dessous des meubles.
- La brosse motorisée dispose d'un manche articulé à angles multiples qui permet à l'utilisateur d'aspirer avec le tube télescopique ou l'unité principale à un angle de 90 degrés (comme dans des escaliers) ou à un angle réduit (comme sous un lit ou un canapé). Le manche articulé à angles multiples vous permet également de tourner la brosse vers la gauche ou la droite pour un contrôle facile.



REMARQUE : La brosse motorisée peut rayer ou endommager certains types de sols ou moquettes. Veuillez à vérifier cela avant d'utiliser la brosse sur une surface délicate. Sinon, vous pouvez utiliser la brosse mini, si celle-ci est adaptée.

- 4 Insérez fermement le suceur plat ou la brosse mini dans le tube télescopique ou l'entrée d'air de l'unité principale.
 - Suceur plat – il est parfait pour aspirer dans les coins et espaces restreints.
 - Brosse mini – utilisez-la pour des tâches de dépoussiérage général, comme pour éliminer la poussière des meubles, des étagères, etc.
 - Le tube télescopique vous permet d'atteindre les toiles d'araignée ou les endroits difficiles d'accès.

Retrait des accessoires

- Assurez-vous que l'appareil est éteint.
- Tirez le suceur/la brosse mini ou appuyez sur le bouton de déverrouillage sur le tube télescopique/la brosse motorisée afin de détacher ces accessoires de l'unité principale.

Fonctionnement

- 5 1. Pour mettre l'aspirateur en marche, appuyez sur le bouton marche/arrêt. L'écran LED s'allume et l'indicateur du niveau de puissance affiche le chiffre **2**. (Le réglage du niveau de puissance par défaut est 2.) Durant l'utilisation, le voyant de batterie circulaire indique le niveau actuel de la batterie (voir le tableau ci-dessus qui montre les indications du niveau de la batterie).
2. Touchez le bouton du niveau de puissance sur l'écran, le long des points alignés pour changer le niveau de puissance du niveau bas (1) au niveau élevé (6).
3. Pour mettre l'aspirateur hors tension, appuyez à nouveau sur le bouton marche/arrêt.
 - Videz le bac à poussière avant que son contenu ne dépasse le repère MAX (voir **Vidage du bac à poussière** dans la section **Nettoyage et entretien**).
 - Mettez toujours l'appareil hors tension lorsque vous avez fini de l'utiliser. Suivez les consignes de la section **Nettoyage et entretien** pour nettoyer l'appareil.
 - Rechargez l'aspirateur après chaque utilisation pour vous assurer qu'il soit complètement chargé et prêt pour la prochaine utilisation.

**REMARQUE :**

- Lorsque vous passez l'aspirateur sur des surfaces très sales, éteignez-le régulièrement et vérifiez l'ouverture de l'accessoire pour vous assurer qu'elle est propre et pour éviter de rayer les surfaces délicates.
- Pour éviter de bloquer l'aspiration, retirez les gros morceaux de déchets, tels que le papier ou le plastique, de la zone avant de passer l'aspirateur.

Installation du support mural

**REMARQUE :**

- Installez le support mural de façon sûre sur un mur assez solide pour supporter le poids de l'appareil.
- Installez le support mural dans une zone sèche, loin de toute chaleur ou froid extrêmes et de préférence à proximité d'une prise secteur.

Le support mural (avec les chevilles, vis et autocollant pour montage mural fournis) peut être installé afin de ranger facilement l'aspirateur.

6

Placez l'autocollant pour montage mural sur le mur, en laissant un espace d'**au moins 107 cm** entre le sol et le bas de l'autocollant. Marquez les trous à percer pour les vis à l'aide d'un crayon. Ensuite, percez les trous et insérez les chevilles. Insérez les vis et serrez-les à l'aide d'un tournevis, en vous assurant qu'elles se trouvent à environ 5 mm du mur. Retirez les protections adhésives blanches de l'autocollant pour montage mural et fixez-le au dos du support de montage mural (en veillant à ce que les trous soient alignés). Collez ensuite le support de montage mural au mur, en veillant toujours à ce que les trous soient alignés.

**DANGER ! RISQUE DE CHOC ÉLECTRIQUE**

- Ne percez pas les câbles électriques ou les conduites d'eau se trouvant dans le mur.
- Ne placez pas le support mural sur un mur métallique.

Nettoyage et entretien



AVERTISSEMENT !

- Pour éviter tout risque d'électrocution, éteignez et débranchez toujours l'appareil de la prise secteur avant de le nettoyer.
- Ne plongez jamais l'unité principale, la brosse motorisée, l'adaptateur secteur ou le cordon dans l'eau ni dans tout autre liquide. Ne les rincez jamais sous le robinet.



REMARQUE : N'utilisez en aucun cas des solvants, des produits de nettoyage chimiques ou abrasifs, des brosses métalliques, des objets pointus ou des tampons à récurer pour nettoyer l'aspirateur.

- Détachez tous les accessoires de l'unité principale avant le nettoyage.
- Videz le bac à poussière après chaque utilisation.
- Nettoyez le bac à poussière et les filtres au moins une fois par mois, voire plus souvent si nécessaire.

Unité principale
Brosse motorisée
Tube télescopique
Bac à poussière

Essuyez avec un chiffon doux légèrement humidifié.
Séchez bien.

Filtre en mousse/HEPA
Ensemble du filtre
Suceur plat
Brosse mini

Rincez-les sous le robinet ou nettoyez-les dans de l'eau savonneuse avec une éponge douce. Secouez-les pour éliminer l'excès d'eau et laissez-les sécher complètement à l'air libre.



- Une fois ces éléments secs, montez-les à nouveau.

Vidage du bac à poussière

- Pour vider le bac à poussière, éteignez l'aspirateur.
- Retirez le tube télescopique et/ou l'accessoire de l'entrée d'air de l'unité principale.

- 7 1. Tenez l'unité principale verticalement au-dessus d'une poubelle. Appuyez sur le bouton de déverrouillage du couvercle du bac à poussière.
2. Le couvercle situé en bas du bac à poussière s'ouvre. Fermez le couvercle après avoir vidé le contenu du bac.

Retrait des filtres

- 8 ① Appuyez sur le bouton de déverrouillage du couvercle du bac à poussière. À l'intérieur du bac à poussière, faites pivoter la partie inférieure de l'ensemble du filtre dans le sens des aiguilles d'une montre vers l'icône . Tapotez sur l'ensemble du filtre au-dessus d'une poubelle pour déloger la poussière. Si nécessaire, faites tourner l'ensemble du filtre et tapotez-le à nouveau pour éliminer toute la poussière.
 - ② Faites tourner le couvercle du filtre pour le retirer. Retirez le filtre en mousse du filtre HEPA, qui est connecté au couvercle du filtre.
 - ③ Nettoyez le bac à poussière à l'aide d'un chiffon doux humide. Rincez les éléments de l'ensemble du filtre et le filtre en mousse sous le robinet.
 - ④ Secouez-les pour éliminer l'excès d'eau et séchez complètement tous les éléments.
- Pour assembler de nouveau les filtres, effectuez les étapes dans l'ordre inverse. Placez l'ensemble du filtre dans le bac à poussière et faites-le tourner dans le sens inverse des aiguilles d'une montre vers l'icône  jusqu'à ce qu'il s'enclenche dans la position correcte. Refermez le couvercle du bac à poussière en vous assurant qu'il s'enclenche bien. Placez le filtre en mousse dans le couvercle du filtre, puis placez fermement le couvercle du filtre sur l'unité.





AVERTISSEMENT ! Pour éviter d'endommager l'appareil, n'utilisez que des filtres secs intacts !

Nettoyage du rouleau à poils/du rouleau brosse et des roulettes

Si le rouleau à poils/rouleau brosse ou les roulettes de la brosse motorisée se bloquent, éteignez l'appareil.

Nettoyage du rouleau à poils/rouleau brosse

- 9 ① Appuyez sur le bouton de déverrouillage de la brosse pour sols motorisée et retirez la brosse pour sols motorisée du tube télescopique.
- ② Utilisez une pièce pour faire tourner la vis dans le sens inverse des aiguilles d'une montre vers le symbole de verrou ouvert .
- ③ Tirez le côté droit du rouleau à poils/rouleau brosse, puis faites glisser le côté gauche hors de la broche qui le maintient en place.

- ④ Retirez de façon régulière les cheveux, les poils et les débris pour vous assurer que l'aspirateur continue à fournir des performances optimales. À l'aide d'une paire de ciseaux, retirez soigneusement les cheveux, poils, fils ou autres objets qui auraient pu s'emmêler sur le rouleau à poils/rouleau brosse. Tapotez le rouleau à poils/rouleau brosse pour enlever toute poussière. Si le rouleau à poils/rouleau brosse sont très sales, nettoyez-les à l'eau et laissez-les sécher complètement.
- Utilisez un chiffon humide pour nettoyer le compartiment de la brosse pour sols motorisée. Ne la plongez pas dans l'eau.
 - Pour la réassembler, faites glisser le rouleau à poils ou le rouleau brosse dans le compartiment. Insérez une pièce dans la fente pour pièce sur le verrou du rouleau à poils/rouleau brosse. Faites tourner la pièce vers le symbole de verrou . Vérifiez que le rouleau à poils/rouleau brosse tourne de façon fluide.

Nettoyage des roulettes

- ⑩ ① Si des fils ou des saletés bloquent une des roulettes, insérez délicatement un tournevis sous l'axe de la roulette et poussez vers le haut pour le déloger en faisant levier. Retirez tout fil ou objet bloquant la roulette.
- ② Remettez la roulette en position en la poussant fermement dans le compartiment. Vérifiez qu'elle tourne de façon fluide.

Nettoyage des accessoires

Séparez le tube des accessoires ou de l'aspirateur à main. Retirez toute obstruction et nettoyez à l'eau. Séchez complètement avant d'utiliser à nouveau l'appareil ou avant de le ranger pour une longue durée.

⑪ Nettoyage de l'outil polyvalent

Lorsque vous nettoyez une partie de l'aspirateur, quelle qu'elle soit, l'outil polyvalent peut être utilisé pour retirer de la poussière et des débris de zones difficiles à nettoyer, telles que les filtres et leurs compartiments.

Élimination des blocages

De petits objets, des fibres de moquettes etc. peuvent parfois bloquer l'aspirateur.

- En cas de blocage ou de perte d'aspiration pendant l'utilisation, éteignez l'aspirateur.
- Détachez le tube télescopique et/ou l'accessoire pour trouver le blocage et l'éliminer.

Guide de dépannage

Utilisez ce guide de dépannage pour résoudre tout problème fréquent que vous pourriez rencontrer avec l'appareil. Si le problème persiste, n'utilisez pas l'appareil et contactez un centre de réparation agréé pour le faire inspecter et réparer, si nécessaire.

Problème	Cause possible	Solution
L'appareil ne fonctionne pas.	<ul style="list-style-type: none"> • L'appareil n'est pas chargé. • Le bac à poussière est plein. • Les filtres ne sont pas correctement fixés. • Le tube télescopique/ l'accessoire est bloqué. • L'appareil reste éteint. • La batterie ou le moteur de l'aspirateur ont surchauffé. • L'adaptateur secteur n'est pas compatible avec l'aspirateur. 	<ul style="list-style-type: none"> • Chargez complètement la batterie. • Videz le bac à poussière. • Remettez les filtres en place. • Éteignez l'appareil et éliminez le blocage. • Appuyez sur le bouton marche/arrêt pour mettre l'aspirateur en marche. • Éteignez l'appareil et laissez-le refroidir complètement. • Lors du rechargement et de l'utilisation de l'appareil, vérifiez que la température ambiante est comprise entre 0 et 50 °C. • N'utilisez que l'adaptateur secteur fourni avec cet appareil.
L'appareil ne fonctionne que pendant une courte période de temps après avoir été chargé.	<ul style="list-style-type: none"> • L'appareil n'est pas complètement chargé. • La batterie rechargeable intégrée est défectueuse ou a atteint la fin de son cycle de vie. 	<ul style="list-style-type: none"> • Chargez complètement l'appareil comme indiqué dans la section Chargement de l'aspirateur. • La batterie rechargeable intégrée doit être remplacée par un technicien agréé. N'essayez pas de la remplacer vous-même.
La brosse motorisée ne tourne pas.	<ul style="list-style-type: none"> • Le rouleau à poils/rouleau brosse ou les roulettes sont bloqués par des débris (cheveux, poils, fibres, etc.). 	<ul style="list-style-type: none"> • Nettoyez la brosse, le rouleau à poils/rouleau brosse ou les roulettes comme expliqué dans la section Nettoyage et entretien. Vérifiez que les éléments tournent de façon fluide une fois qu'ils ont été à nouveau assemblés.

Problème	Cause possible	Solution
La puissance d'aspiration est faible, il n'y a pas d'aspiration, ou le moteur vibre.	<ul style="list-style-type: none">Le tube télescopique, l'accessoire d'aspiration, le compartiment à poussière ou les filtres sont partiellement bloqués ou remplis de poussière.	<ul style="list-style-type: none">Retirez l'obstruction.Nettoyez les filtres.Si nécessaire, remplacez le filtre par un nouveau.

Rangement

12 Lorsque tous les éléments sont secs, assemblez à nouveau l'appareil et placez-le sur son support mural, comme illustré. Insérez le suceur plat et la brosse mini dans les fentes du support mural.



Bedankt!

Proficiat met uw keuze voor een product van VALBERG. De selectie en de testen van de toestellen van VALBERG gebeuren volledig onder controle en supervisie van ELECTRO DEPOT. We staan garant voor de kwaliteit van de toestellen van VALBERG, die uitmunten in hun eenvoudig gebruik, hun betrouwbare werking en hun onberispelijke kwaliteit.

ELECTRO DEPOT beveelt de VALBERG toestellen aan en is ervan overtuigd dat u uiterst tevreden zal zijn bij elk gebruik van het toestel. Welkom bij ELECTRO DEPOT.

Bezoek onze website: www.electrodepot.be



ELECTRO DEPOT

32

NL

A

Overzicht van het toestel

Onderdelen
Overzicht van het product
Beoogd gebruik
Specificaties

B

Gebruik van het toestel

De stofzuiger opladen
De stofzuiger gebruiken
De wandbeugel installeren

C

Reiniging en onderhoud

Reiniging en onderhoud
Probleemoplossing
Opslag

Onderdelen

- A** Hoofdeenheid met handgreep
- B** Ventilatieopening
- C** Stofkoker met filtersysteem aan de binnenkant
- D** Ontgrendelingsknop voor het deksel van de stofkoker
- E** Oplaadpoort voor de batterij
- F** Bedieningspaneel met ledscherm
- 1** Batterijlaadindicator
- 2** Vermogensniveau-indicator (niveau 1-6)
- 3** Rond vermogens-/batterijcontrolelampje
- 4** Vermogensniveauknop op het aanraakscherm
- 5** AAN/UIT-knop
- G** Accu
- H** Accu-ontgrendelingsknop
- I** Filterdeksel met HEPA-filter en schuimfilter
- J** Buisontgrendelingsknop
- K** Verlengbuis met flexibele verbinding

- L** Ontgrendelingsknop flexibele verbinding
- M** Ontgrendelingsknop gemotoriseerde borstel
- N** Gemotoriseerde borstel met ledverlichting (meerdere hoeken)
- O** Vergrendeling borstelstang/rolstang
- P** Borstelstang (voor gebruik in de gemotoriseerde vloerborstel)
- Q** Rolstang (voor gebruik in de gemotoriseerde vloerborstel)
- R** Spleetmondstuk voor moeilijk bereikbare plaatsen
- S** Miniborstel voor hardnekkig vuil op meubels, vloeren en tapijten
- T** Wandmontagebeugel
- U** Zelfklevend plaatje voor wandmontage
- V** AC-adapter
- W** Klein reinigingsgereedschap
- X** Muurpluggen en schroeven (x2) voor bevestiging aan de muur

Overzicht van het product

- Pak het apparaat uit en verwijder alle labels van het apparaat, uitgezonderd het typeplaatje. Controleer of alle onderdelen van het apparaat geleverd en onbeschadigd zijn. Als het apparaat beschadigd of defect is, gebruik het dan niet en breng het naar uw winkel of klantenservice.
- Houd alle verpakking uit de buurt van kinderen. Er is risico op een ongeval als kinderen met het verpakkingsmateriaal spelen.

Beoogd gebruik

- Deze stofzuiger is uitsluitend voor huishoudelijk gebruik. Hij is niet ontworpen voor industrieel of professioneel gebruik door schoonmaakbedrijven.
- Elk ander gebruik kan het apparaat beschadigen of letsel veroorzaken.

Specificaties

Model:	981053 - CYCLONIC S10 FLEX
Stofzuiger	
Vermogen:	18,5 VDC, 220 W max.
Capaciteit van de stofkoker:	0,45 L
Zuigkracht:	Hoge snelheid (niveau 6) — 60 W Gemiddelde snelheid (niveau 4) — 45 W Lage snelheid (niveau 1) — 13 W
Geluidsniveau:	Hoge snelheid (niveau 6) ≤ 80 dB Gemiddelde snelheid (niveau 4) ≤ 78 dB Lage snelheid (niveau 1) ≤ 75 dB
Vacuümdruk:	Hoge snelheid (niveau 6) — 17 kPa Gemiddelde snelheid (niveau 4) — 13 kPa Lage snelheid (niveau 1) — 6 kPa
Oplaadbare li-ionbatterij:	18 V (3,6 V x 5 stuks), 2500 mAh
Opladtid:	3,5 uur
Gebruiksduur:	Hoge snelheid (niveau 6) — 10 minuten Gemiddelde snelheid (niveau 4) — 15 minuten Lage snelheid (niveau 1) — 40 minuten
Beschermingsklasse:	Klasse II

AC-adapter

Gepubliceerde informatie	Waarde en precisie	Eenheid
Bedrijfsnaam of geregistreerd handelsmerk, bedrijfsregistratienummer en adres van fabrikant:	ELECTRO DEPOT/R.C.S. 433 744 539 1 route de Vendeville, 59155 Faches Thumesnil, FRANKRIJK	-
Referentie model:	ZD012M220080EU	-
Ingangsspanning:	AC 100-240	V
Frequentie ingangsstroom:	50/60	Hz
Uitgangsspanning:	22	V dc
Uitgangsstroom:	0,8	A
Uitgangsvermogen:	17,6	W
Gemiddeld rendement in actieve modus:	84,89	%
Rendement bij lage belasting (10%):	74,89	%
Stroomverbruik in niet-belaste toestand:	0,1 W	W

De stofzuiger opladen

Laad de stofzuiger volledig op voor het eerste gebruik, na elk gebruik of wanneer de batterij bijna leeg is.

Voor ingebruikname:

- ❶ Verwijder het plastic lipje op de accu.

Alvorens op te laden:

- Bevestig de filters altijd op de hoofdeenheid (zie **De filters losmaken** in het gedeelte **Reiniging en onderhoud**).
- Als de batterij bijna leeg is, knippert het ronde batterijcontrolelampje tijdens gebruik rood om de gebruiker eraan te herinneren het apparaat op te laden. Als er onvoldoende stroom is, stopt het apparaat automatisch.




OPMERKING:

- De AC-adapter kan warm worden tijdens het opladen. Dit is normaal.
- Om de levensduur van de batterij en de levensduur van het product te garanderen, laadt u de stofzuiger op wanneer de batterij leeg is, zelfs als u niet van plan bent hem te gebruiken.

- ❷ Zorg ervoor dat de stofzuiger uit staat. U kunt het apparaat opladen wanneer het volledig gemonteerd is of u kunt de accu verwijderen door op de ontgrendelingsknop van de accu te drukken en de accu uit de hoofdeenheid te schuiven.

Plaats de accu na het opladen terug in de hoofdeenheid en zorg ervoor dat deze stevig vastklikt.

Sluit de AC-adapterkabel stevig aan op de acculaadpoort aan het uiteinde van de hoofdeenheid. Steek de AC-adapter vervolgens stevig in een geschikt stopcontact.

- De batterijlaadindicator  verschijnt op het bedieningspaneel en het ronde batterijcontrolelampje knippert wit terwijl het apparaat wordt opgeladen.
- Zodra het apparaat volledig is opgeladen, wordt het witte ronde batterijcontrolelampje gedurende 1 minuut constant (stabiel) weergegeven en gaat het ledscherm uit.
- Het duurt ongeveer 3,5 uur om de batterij volledig op te laden. Laad de batterij volledig op alvorens de eerste keer te gebruiken.
- Eenmaal volledig opgeladen heeft de stofzuiger een gebruiksduur van ongeveer:

Vermogensniveau	Gebruikstijd (minuten)
Hoog (niveau 6)	10
Gemiddeld (niveau 4)	15
Laag (niveau 1)	40

Wanneer u klaar bent met het opladen van het apparaat, trekt u de AC-adapter uit het stopcontact voordat u de oplaadkabel van de AC-adapter uit de stofzuiger haalt.

- De status van het batterijniveau wordt als volgt op het ledscherm weergegeven:

Rond batterijcontrolelampje	Status van het batterijniveau
Knipperend rood	Waarschuwing voor een bijna lege batterij, er blijft minder dan 20% stroom over. Laad het apparaat op.
Knipperend wit	Er is nog 20-50% vermogen over.
Effen wit	Er blijft 50-100% vermogen over.



WAARSCHUWING!

- Gebruik alleen de verwijderbare voeding (AC-adapter) die bij dit apparaat is geleverd om de batterij op te laden: HC-2116A
- Het apparaat werkt niet tijdens het opladen. Probeer hem nooit te gebruiken tijdens het opladen.
- Laat het apparaat niet 's nachts of onbewaakt opladen.
- Laad de batterij niet op bij temperaturen onder 0 °C of boven 50 °C.

De stofzuiger gebruiken



WAARSCHUWING!

- Gebruik het apparaat nooit zonder de filters.
- Zorg ervoor dat het apparaat is uitgeschakeld en de stekker uit het stopcontact is gehaald voordat u onderdelen bevestigt of vervangt.

De hulpstukken bevestigen

Selecteer het gewenste zuighulpstuk en bevestig het aan de hoofdeenheid met de verlengbuis (voor rechtopstaand stofzuiggebruik) of zonder de verlengbuis (voor draagbaar gebruik), afhankelijk van de taak die u moet uitvoeren.

- 1 Plaats de gemotoriseerde borstel in de onderkant van de verlengbuis. Zorg ervoor dat de groeven aan het uiteinde van de verlengbuis uitgelijnd zijn met de ribbels op de gemotoriseerde borstel. Duw beide delen samen totdat u een klik hoort.
 - 2 Steek vervolgens het andere uiteinde van de verlengbuis in de luchtinlaat van de hoofdeenheid (zorg ervoor dat de groeven uitgelijnd zijn met de ribbels) totdat u een klik hoort. Het hulpstuk kan ook rechtstreeks op de hoofdeenheid worden aangesloten.
 - 3 Wanneer u de verlengbuis gebruikt, kunt u de hoek van de verlengbuis wijzigen door op de ontgrendelingsknop voor de flexibele verbinding te drukken en vervolgens de verlengbuis voorzichtig te buigen. Buig de verbinding gewoon naar achteren totdat hij op zijn plaats klikt om de verlengbuis stijf te maken.

- Gemotoriseerde vloerborstel:
 - **met borstel** — te gebruiken voor het schoonmaken van alle vloertypes, inclusief gladde, harde oppervlakken en tapijten die grondig moeten worden gereinigd. Bevestig de vloerborstel met borstelstang (of rolstang, afhankelijk van het vloeroppervlak) rechtstreeks op de handstofzuiger om trappen eenvoudig te stofzuigen.
 - **met rol** — te gebruiken op oppervlakken die gemakkelijk vuil worden en op gladde, harde oppervlakken, zoals parketvloeren, om het stof zo goed mogelijk weg te nemen.
- De ledlampjes aan de voorkant van de borstel verlichten donkere hoeken of ruimtes onder meubels.
- De gemotoriseerde borstel is voorzien van een halsverbinding met meerdere hoeken waardoor de gebruiker kan stofzuigen met de verlengbuis of hoofdeenheid in een hoek van 90 graden (bijvoorbeeld trappen) of onder een lage hoek (bijvoorbeeld onder een bed of bank). Dankzij de halsverbinding met meerdere hoeken kunt u de borstel ook naar links of rechts draaien voor eenvoudige bediening.



OPMERKING: De gemotoriseerde borstel kan bepaalde soorten vloeren of tapijten krassen of beschadigen. Zorg ervoor dat u het oppervlak test voordat u de borstel op gevoelige oppervlakken gebruikt. Als alternatief kunt u, indien nodig, de miniborstel gebruiken.

- 4 Steek het spleetmondstuk of de miniborstel stevig in de verlengbuis of de luchtinlaat van de hoofdeenheid.
 - Spleetmondstuk — perfect voor het stofzuigen van krappe hoeken en kleine ruimtes.
 - Miniborstel — voor algemene stofzuigdoeleinden; ideaal om het stof weg te nemen op meubels, planken, enz.
 - De verlengbuis geeft u extra bereik om spinnenwebben of moeilijk bereikbare plekken te stofzuigen.

De hulpstukken losmaken

- Zorg ervoor dat het apparaat is uitgeschakeld.
- Trek het spleetmondstuk/miniborstel los of druk op de ontgrendelingsknop op de verlengbuis/gemotoriseerde borstel om de hulpstukken los te koppelen van de hoofdeenheid.

Werking

- 5 1. Druk op de AAN/UIT-knop om de stofzuiger aan te zetten. Het ledscherm gaat aan, de vermogensniveau-indicator geeft het cijfer **2** weer. (De standaardinstelling is vermogensniveau 2.) Tijdens gebruik geeft het ronde batterijcontrolelampje het huidige batterijniveau aan (zie bovenstaande tabel die het batterijstatusniveau aangeeft).
2. Tik op de vermogensniveauknop op het scherm langs de puntenlijn om het vermogensniveau te wijzigen van laag (1) naar hoog niveau (6).
3. Druk opnieuw op de AAN/UIT-knop om de stofzuiger uit te schakelen.
 - Maak de stofkoker leeg voordat de inhoud de MAX-markering overschrijdt (zie **De stofkoker legen** in het gedeelte **Reiniging en onderhoud**).
 - Als u klaar bent met het gebruik van het apparaat, moet u het altijd uitschakelen. Volg de instructies in het gedeelte **Reiniging en onderhoud** om het apparaat te reinigen.
 - Laad de stofzuiger na elk gebruik op om er zeker van te zijn dat het apparaat volledig is opgeladen en klaar is voor het volgende gebruik.

**OPMERKING:**

- Schakel bij het stofzuigen van sterk vervuilde oppervlakken het apparaat regelmatig uit en controleer of de opening van het mondstuk schoon is om krassen op gevoelige oppervlakken te voorkomen.
- Om te voorkomen dat de stofzuiger wordt geblokkeerd, moet u grote stukken afval, zoals papier of plastic, uit de ruimte verwijderen voordat u gaat stofzuigen.

De wandbeugel installeren

**OPMERKING:**

- Monteer de wandbeugel stevig op een muur die sterk genoeg is om het gewicht van het apparaat te dragen.
- Installeer de wandbeugel op een droge plaats, uit de buurt van extreme hitte of kou, en bij voorkeur dicht bij een stopcontact.

De wandbeugel (met de meegeleverde muurpluggen, schroeven en zelfklevend plaatje voor wandmontage) kan worden geïnstalleerd om de stofzuiger eenvoudig op te bergen.

- 6 Plaats het plaatje voor wandmontage op de muur en laat een ruimte van **minimaal 107 cm** vrij tussen de vloer en de onderkant van het plaatje voor wandmontage. Markeer de boorgaten voor de schroeven met een potlood. Boor vervolgens de gaten en steek de muurpluggen erin. Plaats de schroeven en draai ze vast met een schroevendraaier en zorg ervoor dat ze ongeveer 5 mm van de muur verwijderd zijn. Verwijder de witte zelfklevende hoezen van het zelfklevende plaatje voor wandmontage en bevestig deze aan de achterkant van de wandmontagebeugel (zorg ervoor dat alle gaten zijn uitgelijnd). Plak de wandbeugel vervolgens op de muur en zorg er opnieuw voor dat alle gaten zijn uitgelijnd.

**GEVAAR! RISICO OP ELEKTRISCHE SCHOKKEN**

- Doorboor de elektrische kabels of waterleidingen in de muur niet.
- Monteer de wandbeugel niet op een metalen muur.

Reiniging en onderhoud



WAARSCHUWING!

- Om het risico op elektrocutie te voorkomen, moet u het apparaat altijd uitschakelen en de stekker uit het stopcontact halen voordat u het schoonmaakt.
- Dompel de hoofdeenheid, de gemotoriseerde borstel, de AC-adapter of de kabel nooit onder in water of een andere vloeistof. Spoel ze nooit onder de kraan schoon.



OPMERKING: Gebruik nooit oplosmiddelen, chemische of schurende reinigingsmiddelen, staalborstels, scherpe voorwerpen of schuursponsjes om het apparaat schoon te maken.

- Verwijder al de hulpstukken van de hoofdeenheid voordat u deze schoonmaakt.
- Maak de stofkoker na elk gebruik leeg.
- Maak de stofkoker en de filters minstens één keer per maand of vaker schoon indien nodig.

Hoofdeenheid	Veeg af met een licht vochtige, zachte doek. Droog goed af.
Gemotoriseerde borstel	
Verlengbuis	
Stofkoker	

HEPA/schuimfilter	Spoel af onder de kraan of was in zeepwater met een zachte spons. Schud het overtollige water eraf en laat deze volledig aan de lucht drogen.
Filtersysteem	
Kloofgereedschap	
Miniborstel	

- Zet alle onderdelen weer in elkaar zodra ze droog zijn.

De stofkoker legen

- Zet de stofzuiger uit om de stofkoker leeg te maken.
- Maak de verlengbuis en/of het vacuümhulpstuk los van de luchtinlaat van de hoofdeenheid.

1. Houd de hoofdeenheid verticaal boven een vuilnisbak. Druk op de ontgrendelingsknop voor het deksel van de stofkoker.
2. Het deksel aan de onderkant van de stofkoker klapt open. Sluit het deksel na het legen van de inhoud.

De filters losmaken

- 1 Druk op de ontgrendelingsknop voor het deksel van de stofkoker. Reik in de stofkoker en draai het onderste gedeelte van de filtereenheid met de klok mee naar het  pictogram. Tik met het filtersysteem boven een vuilnisbak om het stof los te maken. Draai indien nodig het filtersysteem en tik opnieuw om al het vuil te verwijderen.
 - 2 Draai het filterdeksel om en trek het eraf. Verwijder het schuimfilter van het HEPA-filter dat op het filterdeksel is aangesloten.
 - 3 Maak de stofkoker schoon met een vochtige, zachte doek. Spoel de filtersysteemonderdelen en het schuimfilter af onder een kraan.
 - 4 Schud overtollig water eraf en droog alle onderdelen volledig af.
- Voer de stappen in omgekeerde volgorde uit om de filters weer in elkaar te zetten. Plaats het filtersysteem in de stofkoker en draai tegen de klok in de richting van het  pictogram totdat het op zijn plaats blijft zitten. Sluit het deksel van de stofkoker en zorg ervoor dat het stevig vastklikt. Plaats het schuimfilter in het filterdeksel en plaats het filterdeksel vervolgens stevig terug op het apparaat.





WAARSCHUWING! Gebruik alleen droge, onbeschadigde filters om schade aan het apparaat te voorkomen!

De borstel-/rolstang en wielen reinigen

Als de borstel-/rolstang of wielen van de gemotoriseerde borstel verstopt raken of vastlopen, zet dan het apparaat uit.

De borstel-/rolstang reinigen

- 1 Druk op de ontgrendelingsknop van de gemotoriseerde vloerborstel en scheid de gemotoriseerde vloerborstel van de verlengbuis of de hoofdeenheid.
- 2 Gebruik een munt om de schroef tegen de klok in te draaien in de richting van het ontgrendelingssymbool. .
- 3 Trek aan de rechterkant van de borstel-/rolstang en schuif vervolgens de linkerkant van de pin die de borstel op zijn plaats houdt.

- ④ Verwijder regelmatig al het haar, de vacht en het vuil om ervoor te zorgen dat uw stofzuiger optimaal blijft presteren. Gebruik een schaar om voorzichtig haar, vacht, draad of andere voorwerpen te verwijderen die mogelijk verstrikt zijn geraakt in de borstel-/rolstang. Tik op de borstel-/rolstang om stof te verwijderen. Als de borstel-/rolstang erg vuil is, was deze dan met water en laat volledig drogen.
- Gebruik een vochtige doek om de behuizing van de gemotoriseerde vloerborstel te reinigen. Dompel het niet onder in water.
 - Om de borstel- of de rolstang weer in elkaar te zetten, schuift u de borstel- of de rolstang terug in het compartiment. Steek een munt in de muntsleuf op de borstel-/rolstangvergrendeling. Draai de munt in de richting van het vergrendelingsymbool . Zorg ervoor dat de borstel-/rolstang soepel draait.

De wielen schoonmaken

- 10 ① Als er draad of vuil in een van de wielen zit, plaats dan voorzichtig een schroevendraaier onder de wielas en duw deze omhoog om deze eruit te halen. Verwijder alle draden of voorwerpen die het wiel blokkeren.
- ② Plaats het wiel terug door het stevig terug in het compartiment te drukken. Zorg ervoor dat het soepel draait.

De accessoires reinigen

Maak de buis los van de accessoires of de handstofzuiger. Verwijder elke verstopping en reinig met water. Veeg het volledig droog voordat het apparaat opnieuw wordt gebruikt of voordat het apparaat langere tijd wordt opgeborgen.

11 Het veelzijdig reinigingsgereedschap gebruiken

U kunt het veelzijdig reinigingsgereedschap voor elk deel van de stofzuiger gebruiken, waaronder het verwijderen van stof en vuil uit moeilijk te reinigen zones, zoals de filters en de filtervakken.

Blokkades wegnemen

Kleine voorwerpen, tapijtvezels, enz., kunnen de stofzuiger af en toe blokkeren.

- Als u tijdens het gebruik een verstopping of verlies van zuigkracht opmerkt, zet dan de stofzuiger uit.
- Maak de verlengbuis en/of het zuighulpstuk los om de verstopping op te sporen en te verwijderen.

Probleemoplossing

Gebruik deze probleemoplossingsgids om veelvoorkomende problemen met het apparaat op te lossen. Als het probleem zich blijft voordoen, gebruik het apparaat dan niet en neem contact op met een erkend reparatiecentrum om het te laten inspecteren en zo nodig te repareren.

Probleem	Mogelijke oorzaak	Oplossing
Het apparaat werkt niet.	<ul style="list-style-type: none"> • Het apparaat is niet opgeladen. • De stofkoker zit vol. • De filters zijn niet goed bevestigd. • De verlengbuis/ het zuighulpstuk is geblokkeerd. • Het apparaat staat uit. • De batterij of motor van de stofzuiger is oververhit. • De AC-adapter is niet compatibel met de stofzuiger. 	<ul style="list-style-type: none"> • Laad de batterij volledig op. • Maak de stofkoker leeg. • Bevestig de filters opnieuw. • Schakel het apparaat uit en verwijder de blokkering. • Druk op de AAN/UIT-knop om het apparaat in te schakelen. • Schakel het apparaat uit en laat het volledig afkoelen. • Zorg er tijdens het opladen en gebruiken van het apparaat voor dat de omgevingstemperatuur tussen 0 °C en 50 °C ligt. • Gebruik alleen de AC-adapter die bij het apparaat is geleverd.
Het apparaat werkt slechts een korte tijd nadat het is opgeladen.	<ul style="list-style-type: none"> • Het apparaat is niet volledig opgeladen. • De ingebouwde oplaadbare batterij is defect of heeft het einde van de levensduur bereikt. 	<ul style="list-style-type: none"> • Laad het apparaat volledig op zoals aangegeven in het gedeelte De stofzuiger opladen. • De ingebouwde oplaadbare batterij moet worden vervangen door een erkende technicus. Probeer hem niet zelf te vervangen.
De gemotoriseerde borstel draait niet.	<ul style="list-style-type: none"> • De borstel-/rolstang of wielen worden geblokkeerd door vuil (haar, vacht, vezels, enz.). 	<ul style="list-style-type: none"> • Reinig de borstel, de borstel-/de rolstang of het wiel zoals aangegeven in het gedeelte Reiniging en onderhoud. Zorg ervoor dat de onderdelen soepel draaien zodra ze weer in elkaar zijn gezet.
De zuigkracht is niet sterk, er is geen zuigkracht of de motor trilt.	<ul style="list-style-type: none"> • De verlengbuis, het zuighulpstuk, de stofkoker of de filters zijn gedeeltelijk verstopt of zitten vol vuil. 	<ul style="list-style-type: none"> • Verwijder de blokkering. • Maak de filters schoon. • Vervang het filter indien nodig door een nieuw exemplaar.

Opslag

12 Als alle onderdelen droog zijn, zet u het apparaat weer in elkaar en bewaart u het apparaat op de muurbeugel zoals afgebeeld. Steek het spleetmondstuk en miniborstel in de gleuven op de muurbeugel.



¡Muchas gracias!

Muchas gracias por haber elegido nuestro producto VALBERG. Seleccionados, testados y recomendados por ELECTRO DEPOT, los productos de la marca VALBERG le aseguran una utilización sencilla, un rendimiento fiable y una calidad incuestionable.

Con este dispositivo puede estar seguro de que siempre quedará satisfecho al utilizarlo. Le damos la bienvenida a ELECTRO DEPOT.

Visite nuestra página web: www.electrodepot.es



A

Descripción del aparato

Partes
Descripción general del producto
Uso previsto
Especificaciones

B

Utilización del aparato

Carga de la aspiradora
Uso de la aspiradora
Instalación del soporte de pared

C

Limpieza y mantenimiento

Limpieza y mantenimiento
Solución de problemas
Almacenamiento

Partes

- A** Unidad principal con asa
- B** Salida de aire
- C** Depósito de polvo con conjunto de filtro interior
- D** Botón de liberación de la tapa del depósito de polvo
- E** Puerto de carga de la batería
- F** Panel de control con pantalla LED
- 1** Indicador de carga de la batería
- 2** Indicador de nivel de potencia (nivel 1-6)
- 3** Luz Indicadora circular de encendido/batería
- 4** Botón de nivel de potencia de la pantalla táctil
- 5** Botón de encendido/apagado
- G** Batería
- H** Botón de liberación de la batería
- I** Tapa del filtro con filtro HEPA y filtro de espuma
- J** Botón de liberación del tubo
- K** Tubo de extensión con junta flexible

- L** Botón de liberación de la junta flexible
- M** Botón de liberación del cepillo motorizado
- N** Cepillo motorizado con luces LED (multiángulo)
- O** Bloqueo de la barra de cerdas/rodillo
- P** Barra de cerdas (para usar en el cepillo motorizado para suelos)
- Q** Barra de rodillo (para usar en el cepillo motorizado para suelos)
- R** Herramienta para hendiduras en lugares de difícil acceso
- S** Minicepillo para suciedad difícil de eliminar en muebles, suelos y alfombras
- T** Soporte de montaje en pared
- U** Almohadilla adhesiva del soporte de pared
- V** Adaptador de CA
- W** Pequeña herramienta de limpieza
- X** Tacos y tornillos (x2) del soporte de pared

Descripción general del producto

- Desembale y retire todas las etiquetas de la unidad excepto la placa de características. Compruebe que todas las piezas del aparato estén incluidas e intactas. Si el aparato estuviera dañado o defectuoso, no lo utilice y llévelo a su distribuidor o centro de servicio de postventa.
- Mantenga todo el embalaje fuera del alcance de los niños. Existe el riesgo de sufrir accidentes si los niños jugaran con los materiales de embalaje.

Uso previsto

- Esta aspiradora está diseñada únicamente para uso doméstico. No ha sido diseñada para un uso industrial o profesional por parte de empresas de limpieza.
- Cualquier otro uso puede dañar el aparato o causar lesiones.

Especificaciones

Modelo:	981053 - CICLÓNICO S10 FLEX
Aspiradora	
Alimentación:	18,5 VCC, 220 W máx.
Capacidad del depósito de polvo:	0,45 L
Potencia de aspiración:	Alta velocidad (nivel 6) - 60 W Velocidad media (nivel 4) - 45 W Velocidad baja (nivel 1) - 13 W
Nivel de ruido:	Alta velocidad (nivel 6) ≤80 dB Velocidad media (nivel 4) ≤78 dB Velocidad baja (nivel 1) ≤75 dB
Presión de vacío:	Alta velocidad (nivel 6) - 17 kPa Velocidad media (nivel 4) - 13 kPa Velocidad baja (nivel 1) - 6 kPa
Batería recargable de iones de litio:	18 V (3,6 V x 5 unidades), 2500 mAh
Tiempo de carga:	3,5 horas
Tiempo de funcionamiento:	Alta velocidad (nivel 6) - 10 minutos Velocidad media (nivel 4) - 15 minutos Velocidad baja (nivel 1) - 40 minutos
Clase de protección:	Clase II

Adaptador de CA

Información publicada	Valor y precisión	Unidad
Nombre de la empresa o marca registrada, número de registro comercial y dirección del fabricante:	ELECTRO DEPOT/R.C.S. 433 744 539 1 route de Vendeville, 59155 Faches Thumesnil, FRANCIA	-
Referencia del modelo:	ZD012M220080EU	-
Voltaje de entrada:	100-240 CA	V
Frecuencia de corriente de entrada:	50/60	Hz
Voltaje de salida:	22	V dc
Corriente de salida:	0,8	A
Potencia de salida:	17,6	W
Eficiencia media en modo activo:	84,89	%
Eficiencia de carga baja (10%):	74,89	%
Consumo de energía sin carga:	0,1 W	W

Carga de la aspiradora

Cargue completamente la aspiradora antes del primer uso, después de cada uso o siempre que el nivel de batería sea bajo.

Antes del primer uso:

- 1 Retire la lengüeta de plástico de la batería.

Antes de cargarla:

- Fije siempre los filtros en la unidad principal (consulte el apartado **Extracción de los filtros** en la sección **Limpieza y mantenimiento**).
- Cuando el nivel de carga de la batería sea bajo, la luz indicadora circular de la batería parpadeará en rojo durante el uso para recordar al usuario que debe cargar la unidad. Si la potencia es insuficiente, la unidad se detendrá automáticamente.



NOTA:

- El adaptador de CA puede calentarse durante la carga. Esto es normal.
- Para garantizar la longevidad de la batería y la vida útil del producto, recargue la aspiradora siempre que la batería se haya gastado, aunque no tenga previsto utilizarla.

- 2 Asegúrese de que la aspiradora está apagada. Puede cargar la unidad cuando esté completamente montada, o bien extraer la batería pulsando el botón de liberación de la batería y sacándola de la unidad principal.

Vuelva a introducir la batería en la unidad principal después de cargarla asegurándose de que encaje firmemente en su posición mediante el sonido de un clic.

Conecte firmemente el cable del adaptador de CA al puerto de carga de la batería ubicado en el extremo de la unidad principal. A continuación, enchufe firmemente el adaptador de CA en una toma de corriente adecuada.

- El indicador de carga de la batería aparecerá en el panel de control y la luz indicadora circular de la batería parpadeará en blanco mientras la unidad se esté cargando.
- Una vez que la unidad esté completamente cargada, la luz indicadora circular blanca de la batería se iluminará de forma continua (fija) durante 1 minuto y, a continuación, la pantalla LED se apagará.
- La batería tarda aproximadamente 3,5 horas en cargarse por completo. Cargue completamente la batería antes del primer uso.
- Una vez cargada completamente, la aspiradora tiene un tiempo de uso aproximado de:

Nivel de potencia	Tiempo de uso (minutos)
Alto (nivel 6)	10
Medio (nivel 4)	15
Bajo (Nivel 1)	40

Cuando haya terminado de cargar el aparato, desenchufe el adaptador de CA de la toma de corriente antes de desconectar el cable de carga del adaptador de CA de la aspiradora.

- El estado del nivel de carga de la batería aparece en la pantalla LED de la siguiente manera:

Luz indicadora circular de la batería	Estado del nivel de batería
Rojo intermitente	Aviso de batería baja de carga, queda menos de un 20% de energía. Cargue la unidad.
Blanco intermitente	Queda un 20-50% de energía.
Blanco fijo	Queda entre un 50% y un 100% de energía.



¡ADVERTENCIA!

- Utilice únicamente la fuente de alimentación extraíble (adaptador de CA) suministrada con esta unidad para recargar la batería: HC-2116A
- La unidad no funcionará cuando se esté cargando. Nunca intente utilizarla mientras se esté cargando.
- No deje la unidad toda la noche o desatendida cuando se esté cargando.
- No cargue la batería a temperaturas inferiores a 0 °C ni superiores a 50 °C.

Uso de la aspiradora



¡ADVERTENCIA!

- Nunca utilice el aparato sin los filtros.
- Asegúrese de que el aparato esté apagado y desenchufado de la toma de corriente antes de colocar o cambiar cualquier herramienta.

Fijación de las herramientas

Seleccione la herramienta de aspiración deseada y acóplela a la unidad principal con el tubo de extensión (para uso con aspiradora vertical) o sin el tubo de extensión (para uso manual), según la tarea que vaya a realizar.

- 1 Introduzca el cepillo motorizado en la parte inferior del tubo de extensión. Asegúrese de que las ranuras del extremo del tubo de extensión estén alineadas con los rebordes del cepillo motorizado. Empuje ambas piezas juntas hasta que escuche un clic.
- 2 A continuación, inserte el otro extremo del tubo de extensión en la entrada de aire de la unidad principal (asegurándose de alinear las ranuras con los rebordes) hasta que escuche un clic. La herramienta también puede conectarse directamente a la unidad principal.
- 3 Cuando utilice el tubo de extensión, podrá cambiar el ángulo del mismo pulsando el botón de liberación de la junta flexible y, a continuación, doblando suavemente el tubo de extensión. Basta con volver a doblar la junta hasta que encaje en su posición para que el tubo de extensión quede rígido.

- Cepillo motorizado para suelos:
 - **con cerdas** - se utiliza para limpiar todo tipo de suelos, incluyendo superficies lisas y duras, y alfombras que requieren una limpieza profunda. Acople el cepillo para suelos con la barra de cerdas (o la barra de rodillo, dependiendo de la superficie del suelo) directamente en la aspiradora manual para aspirar fácilmente las escaleras.
 - **con rodillo** - se utiliza en superficies que se marcan con facilidad, así como en superficies lisas y duras, como suelos de parqué, para maximizar la eliminación del polvo.
- Las luces LED de la parte delantera del cepillo iluminan los rincones oscuros o los espacios bajo los muebles.
- El cepillo motorizado cuenta con una junta de cuello multiángulo que permite al usuario aspirar con el tubo de extensión o la unidad principal en un ángulo de 90 grados (por ejemplo, en escaleras) o en un ángulo bajo (por ejemplo, debajo de una cama o un sofá). La junta multiángulo del cuello también permite girar el cepillo a la izquierda o la derecha para facilitar el control.



NOTA: El cepillo motorizado puede rayar o dañar determinados tipos de suelos o alfombras. Asegúrese de probar la superficie antes de utilizar el cepillo en superficies delicadas. Alternativamente, puede utilizar el minicepillo, si es adecuado.

- 4 Inserte firmemente la herramienta para hendiduras o el minicepillo en el tubo de extensión o en la entrada de aire de la unidad principal.
 - Herramienta para hendiduras: es perfecta para aspirar rincones estrechos y espacios pequeños.
 - Minicepillo: se usa generalmente para limpiar el polvo; es ideal para quitar el polvo de muebles, estantes, etc.
 - El tubo de extensión le proporciona un alcance extra para aspirar telarañas o zonas de difícil acceso.

Extracción de las herramientas

- Asegúrese de que la unidad esté apagada.
- Extraiga la herramienta para hendiduras/el minicepillo o pulse el botón de liberación del tubo de extensión/cepillo motorizado para desmontar las herramientas de la unidad principal.

Funcionamiento

- 5 1. Para encender la aspiradora, pulse el botón de encendido/apagado. La pantalla LED se encenderá, el indicador del nivel de potencia mostrará el número **2**. (El ajuste predeterminado es el nivel de potencia 2.) Durante el uso, la luz indicadora circular de la batería mostrará el nivel actual de carga de la batería (consulte la tabla anterior que muestra el nivel del estado de la batería).
2. Toque el botón del nivel de potencia de la pantalla a lo largo de la línea de puntos para cambiar el nivel de potencia de nivel bajo (1) a nivel alto (6).
3. Para apagar la aspiradora, pulse de nuevo el botón de encendido/apagado.
 - Vacíe el depósito de polvo antes de que su contenido supere la marca MAX (consulte el apartado **Vaciado del depósito de polvo** en la sección **Limpieza y mantenimiento**).
 - Cuando haya terminado de utilizar la unidad, apáguela siempre. Para limpiar la unidad, siga las instrucciones del apartado **Limpieza y mantenimiento**.
 - Cargue la aspiradora después de cada uso para asegurarse de que la unidad esté completamente cargada y lista para el siguiente uso.



NOTA:

- Cuando aspire superficies muy sucias, apague regularmente el aparato y compruebe que la boca de la herramienta esté limpia para evitar rayar las superficies delicadas.
- Para evitar que la aspiradora se obstruya, retire los residuos grandes, como papel o plástico, de la zona antes de aspirarla.

Instalación del soporte de pared



NOTA:

- Instale firmemente el soporte de pared en una pared lo suficientemente resistente como para soportar el peso de la unidad.
- Instale el soporte de pared en un lugar seco, alejado del calor o el frío extremos y, a ser posible, cerca de una toma de corriente.

El soporte de pared (con los tacos, tornillos y almohadilla adhesiva de montaje en pared suministrados) puede instalarse para guardar fácilmente la aspiradora.

- 6 Coloque el soporte de pared en la pared, dejando un espacio de **al menos 107 cm** entre el suelo y la parte inferior del soporte de pared. Marque los agujeros donde irán los tornillos con un lápiz. A continuación, taladre los agujeros e inserte los tacos. Inserte los tornillos y apriételos con un destornillador asegurándose de que sobresalgan unos 5 mm de la pared. Retire las láminas adhesivas blancas de la almohadilla adhesiva del soporte de pared y fíjela en la parte posterior del soporte de montaje en pared (asegurándose de que todos los agujeros estén alineados). A continuación, pegue el soporte de pared en la pared, asegurándose de nuevo de que todos los agujeros estén alineados.



¡PELIGRO! RIESGO DE DESCARGA ELÉCTRICA

- No perfore los cables eléctricos ni las tuberías de agua que haya en la pared.
- No instale el soporte de pared en una pared metálica.

Limpieza y mantenimiento



¡ADVERTENCIA!

- Para evitar el riesgo de electrocución, apague y desenchufe siempre el aparato de la red eléctrica antes de limpiarlo.
- Nunca sumerja la unidad principal, el cepillo motorizado, el adaptador de CA ni el cable en el agua ni en ningún otro líquido. No los enjuague nunca bajo el grifo.



NOTA: Nunca utilice disolventes, productos de limpieza químicos o abrasivos, cepillos de alambre, objetos afilados ni estropajos para limpiar el aparato.

- Extraiga todas las herramientas de la unidad principal antes de limpiarla.
- Vacíe el depósito de polvo después de cada uso.
- Limpie el depósito de polvo y los filtros al menos una vez al mes o más a menudo si es necesario.

Unidad principal
Cepillo motorizado
Tubo de extensión
Depósito de polvo

Límpielo con un paño suave ligeramente humedecido.
Séquelos bien.

Filtro HEPA/espuma
Unidad del filtro
Herramienta para hendiduras
Minicepillo

Aclárelo bajo el grifo o lávelo con agua jabonosa con una esponja suave. Elimine el exceso de agua y deje que se seque completamente al aire.



- Una vez secas, vuelva a montar todas las piezas.

Vaciado del depósito de polvo

- Para vaciar el depósito de polvo, apague la aspiradora.
- Desconecte el tubo de extensión y/o la herramienta de aspiración de la entrada de aire de la unidad principal.

- 7 1. Sujete la unidad principal verticalmente sobre un cubo de basura. Presione hacia abajo el botón de liberación de la tapa del depósito de polvo.
2. Se abrirá la tapa ubicada en la parte inferior del depósito de polvo. Cierre la tapa después de vaciar el contenido.

Extracción de los filtros

- 8 ① Presione el botón de liberación de la tapa del depósito de polvo. Introduzca la mano en el depósito de polvo y gire la parte inferior del conjunto del filtro en el sentido de las agujas del reloj hacia el icono . Golpee suavemente el conjunto del filtro sobre un cubo de basura para eliminar el polvo. Si es necesario, gire el conjunto del filtro y vuelva a golpearlo suavemente para eliminar toda la suciedad.
 - ② Gire y tire de la tapa del filtro. Retire el filtro de espuma del filtro HEPA que está conectado a la tapa del filtro.
 - ③ Limpie el depósito de polvo con un paño suave y húmedo. Aclare las piezas del conjunto del filtro y el filtro de espuma bajo el grifo.
 - ④ Elimine el exceso de agua y seque completamente todas las piezas.
- Para volver a montar los filtros, siga los pasos en el orden inverso. Coloque el conjunto del filtro en el depósito de polvo y gírelo en el sentido contrario a las agujas del reloj hacia el icono  hasta que encaje en su posición. Cierre la tapa del depósito de polvo asegurándose de que encaja firmemente en su posición mediante el sonido de un clic. Coloque el filtro de espuma en la tapa del filtro y, a continuación, vuelva a colocar la tapa del filtro firmemente en la unidad.





¡ADVERTENCIA! ¡Para evitar daños en el aparato, utilice únicamente filtros secos y que no estén dañados!

Limpieza de la barra de cerdas/rodillo y las ruedas

Si la barra de cerdas/rodillo o las ruedas del cepillo motorizado se bloquean o se atascan, apague el aparato.

Limpieza de la barra de cerdas/rodillo

- 9 ① Pulse el botón de liberación del cepillo motorizado para suelos y separe el cepillo motorizado para suelos del tubo de extensión o de la unidad principal.
- ② Utilice una moneda para girar el tornillo en el sentido contrario a las agujas del reloj hacia el símbolo de desbloqueo .
- ③ Tire del lado derecho de la barra de cerdas/rodillo y, a continuación, deslice el lado izquierdo para sacarla del pasador que la sujeta.

- ④ Elimine regularmente todos los cabellos, el pelo y los residuos para garantizar que su aspiradora mantenga su óptimo rendimiento. Utilice unas tijeras para eliminar con cuidado el cabello, el pelo, los hilos o cualquier otro elemento que pueda haberse enredado en la barra de cerdas/rodillo. Golpee suavemente la barra de cerdas/rodillo para eliminar el polvo. Si la barra de cerdas/rodillo está muy sucia, lávela con agua y deje que se seque completamente.
- Utilice un paño húmedo para limpiar la carcasa del cepillo motorizado para suelos. No lo sumerja en el agua.
 - Para volver a montarla, vuelva a deslizar la barra de cerdas/rodillo en el compartimento. Introduzca una moneda en la ranura para monedas del bloqueo de la barra de cerdas/rodillo. Gire la moneda hacia el símbolo de bloqueo . Asegúrese de que la barra de cerdas/rodillo gira suavemente.

Limpieza de las ruedas

- ⑩ ① Si algún hilo o suciedad está atascando alguna de las ruedas, introduzca con cuidado un destornillador bajo el eje de la rueda y empújelos hacia arriba para sacarlos. Retire cualquier hilo u objeto que esté atascando la rueda.
- ② Vuelva a colocar la rueda presionándola firmemente en su compartimento. Asegúrese de que gire suavemente.

Limpieza de los accesorios

Separe el tubo de los accesorios o de la aspiradora manual. Elimine cualquier obstrucción y lávelos con agua. Seque completamente el aparato antes de volver a utilizarlo o antes de guardarlo durante un periodo prolongado de tiempo.

⑪ Limpieza de la herramienta multiusos

Cuando limpie cualquier pieza de la aspiradora, puede utilizar la herramienta multiusos para eliminar el polvo y la suciedad de las zonas difíciles de limpiar, como los filtros y sus compartimentos.

Eliminación de obstrucciones

Los objetos pequeños, las fibras de alfombras, etc., a veces pueden atascar la aspiradora.

- Si observa una obstrucción o pérdida de aspiración durante el uso, apague la aspiradora.
- Desconecte el tubo de extensión y/o la herramienta de aspiración para encontrar la obstrucción y eliminarla.

Solución de problemas

Utilice esta guía de solución de problemas para resolver los problemas comunes que puede experimentar con la unidad. Si el problema persiste, no utilice el aparato y póngase en contacto con un centro de reparación autorizado para que lo examinen y, si es necesario, lo reparen.

Problema	Posible causa	Solución
La unidad no funciona.	<ul style="list-style-type: none"> • La unidad no está cargada. • El depósito de polvo está lleno. • Los filtros no están bien colocados. • Está obstruido el tubo de extensión o la herramienta de aspiración. • La unidad está apagada. • La batería o el motor de la aspiradora se han sobrecalentado. • El adaptador de CA no es compatible con la aspiradora. 	<ul style="list-style-type: none"> • Cargue completamente la batería. • Vacíe el depósito de polvo. • Vuelva a colocar los filtros. • Apague la unidad y elimine la obstrucción. • Pulse el botón de encendido/apagado para encender la unidad. • Apague la unidad y deje que se enfríe completamente. • Cuando cargue y utilice la unidad, asegúrese de que la temperatura ambiente esté entre 0 °C y 50 °C. • Utilice únicamente el adaptador de CA suministrado con la unidad.
La unidad solo funciona durante un breve periodo de tiempo después de cargarse.	<ul style="list-style-type: none"> • La unidad no estaba completamente cargada. • La batería recargable integrada está defectuosa o ha llegado al final de su vida útil. 	<ul style="list-style-type: none"> • Cargue completamente la unidad como se indica en el apartado Carga de la aspiradora. • La batería recargable integrada debe ser sustituida por un técnico autorizado. No intente sustituirla usted mismo.
El cepillo motorizado no gira.	<ul style="list-style-type: none"> • La barra de cerdas/rodillo o las ruedas están bloqueadas por residuos (cabello, pelo, fibras, etc.) 	<ul style="list-style-type: none"> • Limpie el cepillo, la barra de cerdas/rodillo o la rueda como se indica en el apartado Limpieza y mantenimiento. Asegúrese de que las piezas giren suavemente una vez montadas de nuevo.

Problema	Posible causa	Solución
La aspiración no es potente, no hay aspiración o el motor vibra.	<ul style="list-style-type: none">• El tubo de extensión, la herramienta de aspiración, el depósito de polvo o los filtros están parcialmente obstruidos o llenos de suciedad.	<ul style="list-style-type: none">• Elimine la obstrucción.• Limpie los filtros.• Si es necesario, cambie el filtro por uno nuevo.

Almacenamiento

12 Cuando todas las piezas estén secas, vuelva a montar la unidad y guárdela en el soporte de pared tal y como se muestra. Coloque las herramientas para hendiduras y los minicepillos en las ranuras del soporte de pared.





