

EN	WARRANTY CONDITION This product has a 2-year warranty as of the date of purchase*, covering any fault resulting from a manufacturing or material defect. This warranty does not cover defects or damage resulting from incorrect installation, improper use or abnormal wear of the appliance. *upon presentation of the sales receipt.
FR	CONDITION DE GARANTIE Ce produit est garanti pour une période de 2 ans à partir de la date d'achat*, contre toute défaillance résultant d'un vice de fabrication ou de matériau. Cette garantie ne couvre pas les vices ou les dommages résultant d'une mauvaise installation, d'une utilisation incorrecte ou de l'usure anormale du produit. *sur présentation du ticket de caisse.
NL	GARANTIEVOORWAARDEN Dit product wordt gegarandeerd voor een periode van 2 jaar vanaf de aankoopdatum*, voor elke storing die het gevolg is van een fabricagefout of het materiaal. Gebreken of schade door slechte installatie, onjuist gebruik of abnormale slijtage van het product worden niet gedekt door deze garantie. *op vertoon van kassabon.
ES	CONDICIONES DE GARANTÍA El certificado de garantía de este producto tiene una duración de 2 años a partir de la fecha de compra* que se limita a los defectos de fabricación y averías del material. Se excluyen de la garantía deficiencias o daños originados por una mala instalación, errores en la manipulación o por un uso inadecuado. *previa presentación del comprobante de compra.

Cooker Hood
Hotte aspirante
Afzuigkap
Campana extractora

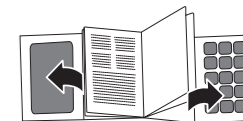
981892 - FIH 60 MK 302C
981894 - FIH 90 MK 302C

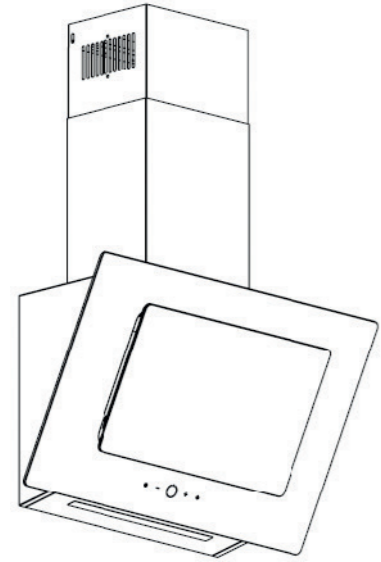
INSTRUCTIONS FOR USE	02
CONSIGNES D'UTILISATION	18
GEBRUIKSAANWIJZINGEN	36
INSTRUCCIONES DE USO	54

MADE IN PRC
ELECTRO DEPOT
1 route de Vendeville
59155 FACHES-THUMESNIL
FRANCE



VALBERG





Thanks!

Thank you for choosing this VALBERG product. Chosen, tested and recommended by ELECTRO DEPOT, the products of the VALBERG brand are easy to use, reliable and of an impeccable standard. Thanks to this appliance, you can be sure that each use will bring you satisfaction.

Welcome to ELECTRO DEPOT.

Visit our website: www.electrodepot.fr

Table of contents

A Using the appliance

Installation with external opening
Installation without external opening
Start using your cooker hood

B Useful information

Troubleshooting
Maintenance and cleaning

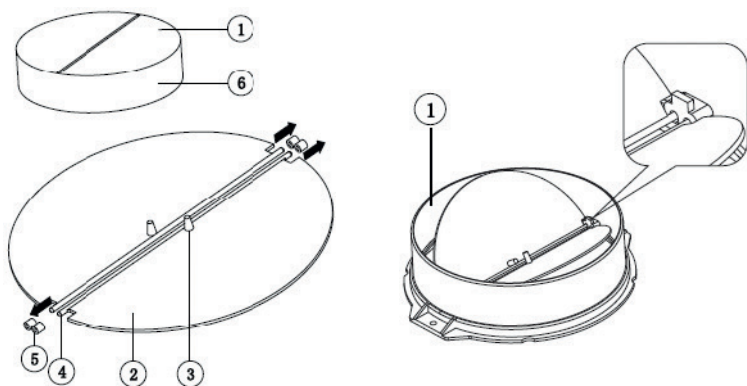
Installation with external opening

MOUNTING OF THE V-FLAP

If the cooker hood does not have an assembled V-flap 1, you should mount the half-parts to its body. The images only show an example of how to mount the V-flap, because the outlet may vary according to different models and configurations.

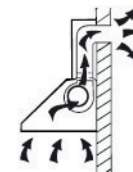
To mount the V-flap 1 you should:

- Mount two half-parts 2 into the body 6;
- the pin 3 should be top oriented;
- the axis 4 should be inserted into the holes 5 on the body;
- repeat all the operations for the 2nd half-part.

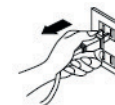


INSTALLATION

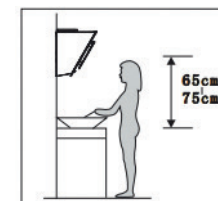
If you have an outlet to the outside, your cooker hood can be connected as below picture by means of an extraction duct (enamel, aluminum, flexible pipe or non-flammable material with an interior diameter of 120/150mm).



1. Before installation, turn the unit off and unplug it from the outlet.

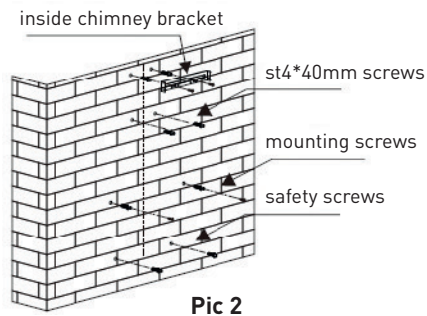


2. The cooker hood should be placed at a distance of 65~75cm above the cooking surface for best effect. See Pic 1.



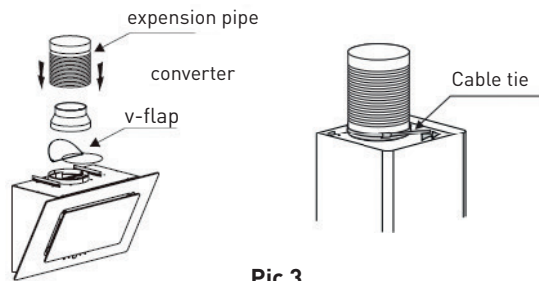
Pic 1

3. After deciding the cooker hood height, measure the position of the holes for hanging the hood and inside chimney bracket. Drill 8 holes with plugs, 2 for inside chimney bracket and 2 for hanging the hood, and to keep the hood level. The fixed position of the inside chimney bracket is the highest place of to the chimney. See Pic 2.
4. Screw 2pcs 4 x 30mm screws on the wall with wall plugs and the mounting screws installed should leave for 3-5mm out of the wall to hang the hood, then use 2pcs 4mm x 40mm screws to fix the inside chimney bracket. See Pic 2.



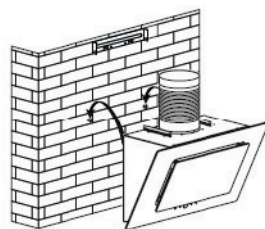
Pic 2

5. Install the v-flap, converter and expansion pipe onto the cooker hood. Fix the expansion pipe on the outlet with a cable tie. See Pic 3. **Note: the expansion pipe not included in the product.**



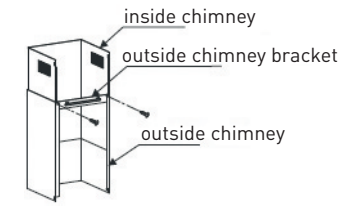
Pic 3

6. Put the hood hang on the wall in the fixed position, adjusting the cooker hood position, fix the cooker hood with 2pcs ST4*30mm safety screws. Note: The two safety vents are positioned on the back housing, with a diameter of 6mm. See Pic 4 & 6.

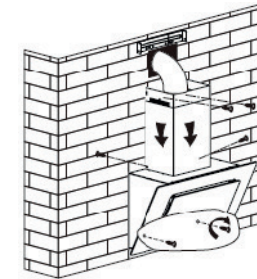


Pic 4

7. Install the outside chimney bracket onto the outside chimney with 2 pcs ST4*8mm screws, make sure the inside chimney can be flexed freely. See Pic 5. And then put the chimney to the hood, use 2 pcs ST4*8mm screws fix the outside chimney to the hood body and the use 2pcs ST4*40mm fix it on the wall. Lay the expansion pipe to the outside at the same time. See Pic 6.

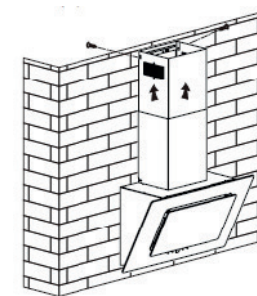


Pic 5



Pic 6

8. Adjust the height of the inside chimney to the position of the inside chimney bracket and fix it with 2pcs ST4*8mm screws. See Pic 7.

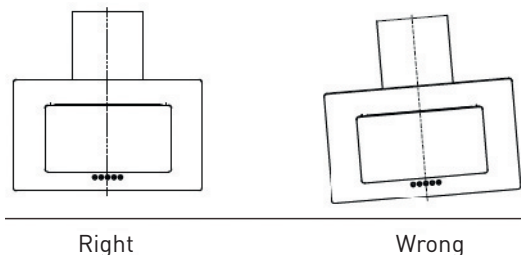


Pic 7

HINTS FOR EXHAUST DUCT INSTALLATION

The following rules must be strictly followed to obtain optimal air extraction:

- Keep expansion pipe short and straight.
- Do not reduce the size or restrict the expansion pipe.
- When using the expansion pipe always install the pipe pulled taut to minimize pressure loss.
- Failure to observe these basic instructions will reduce the performance and increase noise levels of the cooker hood.
- Any installation work must be carried out by a qualified electrician or competent person.
- Do not connect the ducting system of the hood to any existing ventilation system which is being used for any other appliance, such as warmer tube, gas tube, hot wind tube.
- The angle of the bend of the expansion pipe should not be less than 120°; you must direct the pipe horizontally, or, alternatively, the pipe should go up from the initial point and should be led to an outer wall.
- After the installation, make sure that the cooker hood is level to avoid grease collection at one end.
- Ensure the expansion pipe selected for installation complies with relevant standards and is fire retardant.



Ensure the exhaust ducting selected for installation complies with relevant standards and is fire retardant.

WARNING:

For safety reason, please use only the same size of fixing or mounting screws which are recommended in this instruction manual.

Failure to install the screws or fixing device in accordance with these instructions may result in electrical hazards.

Installation without external opening**Recycling version**

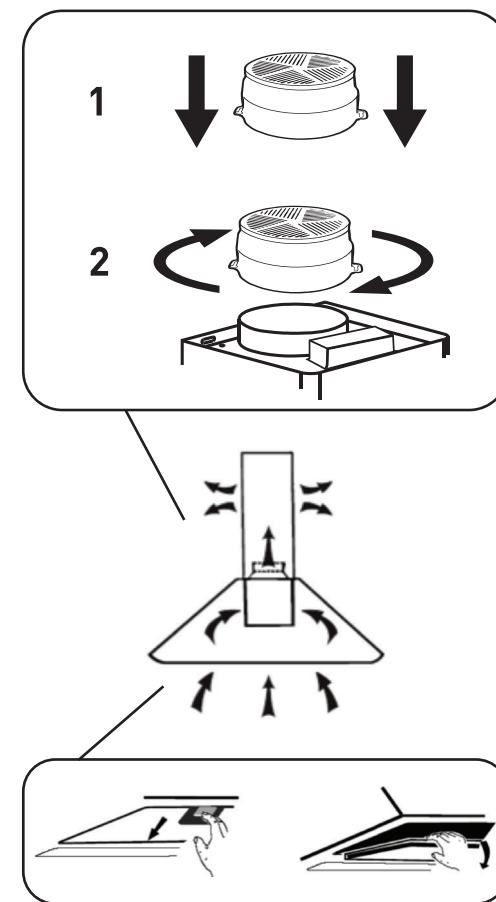
Contact your supplier to obtain active carbon filters to transform the extractor hood into a recycling hood.

Installing the active carbon filter (cassette)

- Check that the diameter of the active carbon filter corresponds the outlet diameter.
- If necessary, remove the pre-installed diameter adapter.
- Position the active carbon filter on the outlet and attach it in place by turning anticlockwise.

Installing the active carbon filter (cut-out)

- The metal filter has to be removed before the active carbon filter is installed.
- To open the metal filter, press on the locking device and pull the filter downwards.
- Place the precut filter on top of the metal filter. Hold in position using the metal rods (supplied according to the model).
- Replace the metal filter in its original position.

**NB**

Make sure that the filter is properly attached; otherwise it could become dislodged and cause a hazard.






The installation of a carbon filter reduces the extraction power of the hood.

Start using your cooker hood



TOUCH CONTROL



There are five touch buttons:

	(Timer)
	(Decrease)
	(Power)
	(Increase)
	(Lamp)

See picture above.

1. Power on: After you have connected the cooker hood to the mains supply, all indicator lights of the buttons will lit on, then all the outputs will close and the cooker hood will enter to standby state.
2. Power button "":
 - 2.1 Press power button  once, indicator lights of function buttons (increase, decrease, timer and lamp) will lit on, LED display will show "0" and the hood will enter operation mode. Press power button again, all indicator lights of function buttons will be off, and all function operation for the hood will close. The hood enters into standby mode and recycle like this. All the function button of the hood can only be operated when the hood enter into working status.
 - 2.2 After enter operation mode, if without any function operation within 2 minutes, the indicator lights of the function buttons(increase, decrease, timer and lamp) and LED display will extinguish. And the hood enter into standby status.

3. Lamp button "":

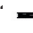
- 3.1 Press Lamp button once, the backlight of button and the light will be on. Press again, the light will be off. The indicator light of the button will change to backlight mode. The above steps can be operated repeatedly.

4. Increase button "":

The hood has 5 speeds, they are "1", "2", "3", "4", "5" speed.

- 4.1 Press Increase button once, the indicator light of button will be on, the cooker hood starts to work at "1" speed and the LED display will show "1".
- 4.2 Press Increase button again when it is working at the "1" speed, the cooker hood works at the "2" speed and the LED display will show "2".
- 4.3 Press Increase button again when it is working at the "2" speed, the cooker hood works at the "3" speed and the LED display will show "3".
- 4.4 Press Increase button again when it is working at the "3" speed, the cooker hood works at the "4" speed and the LED display will show "4".
- 4.5 Press Increase button again when it is working at the "4" speed, the cooker hood works at the "5" speed and the LED display will show "5".
- 4.6 Speeds "4" and "5" are 2 boost speed levels. For energy saving reasons, if you activate one of the boost modes it will automatically deactivate after 7 minutes. The hood will then automatically return to speed "3". It is possible to reactivate a boost speed as soon as it stops automatically.

5. Decrease button "":

- 5.1 Press decrease button "", the cooker hood will decrease one speed: Press decrease button when it is working at high speed, the hood will switch to mid speed. And the indicator light of the decrease button will on. Press decrease button when it is working at mid speed, the hood will switch to low speed and the indicator light of the decrease button will on. The display will show the current working speed. If continuously reducing to no speed, the LED display will show "0", the cooker hood will turn off and the indicator light of the Decrease button will change to backlight status.

6. Timer button "":

- 6.1 The Timer button is only used for the timer function when the hood is working. (Press the key will be invalid when the hood is under standby mode or open the lamp separately). Press the timer button once to set 5 minutes and the indicator lights up. Press again to exit the timer function and the indicator light changes to the backlight status. The timer could be repeat setting. When the time is up, the cooker hood will be turn off and the light will be off.
- 6.2 When the timer is set, if adjusting the speeds, the timer function will be canceled.

Troubleshooting

Fault	Possible Cause	Solution
Light on, but motor does not work	Fan switch turned off	Select a fan switch position.
	Fan switch failed	Contact service center.
	Motor failed	Contact service center.
Light does not work, motor does not work	House fuses blown	Reset/Replace fuses.
	Mains power cable is loose or disconnected	Refit mains power cable to power outlet. Switch power outlet on.
Oil leakage	One way valve and the outlet are not tightly sealed	Take down the one way valve and seal with sealant.
	Leakage from the connection of chimney and cover	Take chimney down and seal.
Lights not working	Broken or faulty bulbs	Replace bulbs as per this instruction.
Insufficient suction	The distance between the cooker hood and the gas top is too far	Refit the cooker hood to the correct distance.
The Cooker hood inclines	The fixing screw is not tight enough	Tighten the hanging screw and make it horizontal.

NOTE:

Any electrical repairs to this appliance must conform to your local, state and federal laws. Please contact the service centre if in any doubt before undertaking any of the above. Always disconnect the unit from the power source when opening the unit.

Maintenance and cleaning

Caution:

Before maintenance or cleaning is carried out, the cooker hood should be disconnected from the mains power supply. Ensure that the cooker hood is switched off at the wall socket and the plug removed.

External surfaces are susceptible to scratches and abrasions, so please follow the cleaning instructions to ensure the best possible result is achieved without damage.

GENERAL

Cleaning and maintenance should be carried out with the appliance cold especially when cleaning. Avoid leaving alkaline or acid substances (lemon juice, vinegar etc.) on the surfaces.

STAINLESS STEEL

The stainless steel must be cleaned regularly (e.g. weekly) to ensure a long life expectancy. Dry with a clean soft cloth. A specialized stainless steel cleaning fluid may be used.

NOTE:

Ensure that wiping is done along with the grain of the stainless steel to prevent any unsightly crisscross scratching patterns from appearing.

CONTROL PANEL SURFACE

The inlay control panel can be cleaned using warm soapy water. Ensure the cloth is clean and well wrung before cleaning. Use a dry soft cloth to remove any excess moisture left after cleaning.

IMPORTANT:

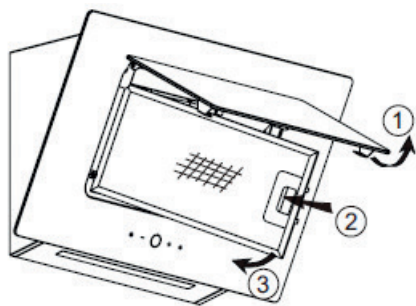
Using neutral detergents and avoid using harsh cleaning chemicals, strong household detergents or products containing abrasives, as this will affect the appearance of the appliance and potentially remove any printing of artwork on the control panel and will void manufactures warrantee.

GREASE MESH FILTERS

The mesh filters can be cleaned by hand. Soak them for about 3 minutes in water with a mild detergent and then brush it gently with a soft brush. Do not apply too much pressure so as to avoid any damage to it. (Leave to dry naturally out of direct sun light.)

Filters should be washed separately to crockery and kitchen utensils. It is advisable not to use rinse aid.

Following the picture beside to dismantle the grease filter.



INSTALLING GREASE MESH FILTERS

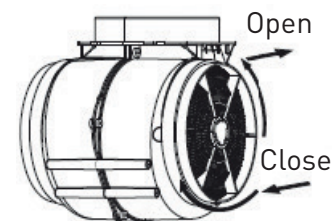
To install filters for the following four steps:

- Angle the filter into the slots at the back of the hood.
- Push the button on the handle of the filter.
- Release the handle once the filter fits into a resting position.
- Repeat to install all filters.

CARBON FILTER-not supplied

Activated carbon filter can be used to trap odors. Normally the activated carbon filter should be changed every 3 to 6 months according to your cooking habits. The installation procedure of the activated carbon filters is as below:

1. Before installing or replacing the carbon filters, disconnect the mains power to the unit.
2. Press the filter lock and remove the mesh filter.
3. Turn the carbon filter on both sides of the motor anti-clockwise. Replace the carbon filters with the new carbon filters.
4. Place the mesh filter.
5. Connect the power supply to the wall socket.



NOTE:

Make sure the filter is securely locked. Otherwise, it would loosen and cause danger.

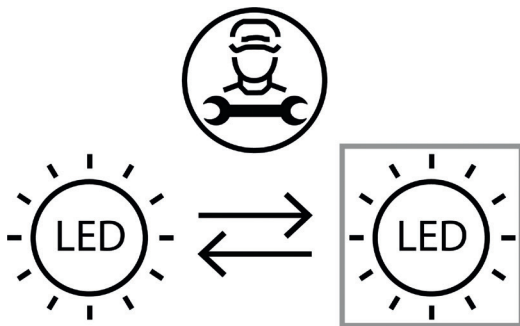
When activated carbon filter attached, the suction power will be lowered.

CHANGING THE LIGHT

Light source in this product can only be replaced by qualified professionals.

Please contact after-sales service if the light source fails.

The light source shall be removed at the end of the product's useful life, with sorting and recycling done separately.

**NOTE:**

Before changing the lights, make sure that the appliance is turned off and unplugged.

Protect against danger when changing lights, such as wearing gloves.

ILCOS D code for this lamp is: DSS-5/65-S-320/45.2

- LED modules– rectangle lamp
- Max wattage: 1×2 W
- Voltage range: DC12V
- Dimensions:

Merci !

Nous vous remercions d'avoir choisi ce produit VALBERG.

Choisis, testés et recommandés par ELECTRO DEPOT, les produits de la marque VALBERG sont simples d'utilisation, tout en offrant des performances fiables et une qualité irréprochable.

Grâce à cet appareil, vous êtes assuré(e) que chaque utilisation vous apportera satisfaction.

Bienvenue chez ELECTRO DEPOT.

Consultez notre site Internet : www.electrodepot.fr
www.electrodepot.be

Table des matières

A Utilisation de l'appareil

Installation avec une évacuation extérieure
Installation sans évacuation extérieure
Utilisation de votre hotte aspirante

B Informations pratiques

Dépannage
Entretien et nettoyage

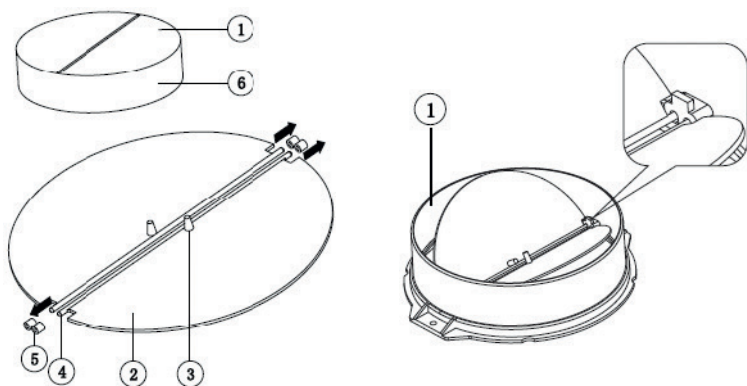
Installation avec une évacuation extérieure

MONTAGE DU CLAPET ANTI-RETOUR

Si la hotte aspirante ne présente pas de clapet anti-retour (1) déjà assemblé, vous devrez monter les deux moitiés dans son logement. Les illustrations ne présentent qu'un exemple de montage du clapet anti-retour, car l'évacuation peut varier selon les modèles et les configurations.

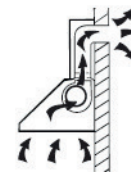
Pour monter le clapet anti-retour (1), vous devez :

- monter les deux moitiés (2) dans le logement (6) ;
- orienter la tige (3) vers le haut ;
- insérer l'axe (4) dans les orifices (5) du logement ;
- répéter l'ensemble des opérations pour la 2^e moitié.

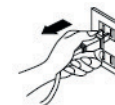


INSTALLATION

Si vous disposez d'une évacuation vers l'extérieur, vous pouvez raccorder votre hotte aspirante de la manière indiquée dans l'illustration ci-dessous, au moyen d'un conduit d'extraction (tuyau flexible en aluminium, émail ou autre matériau non inflammable, d'un diamètre intérieur de 120/150 mm).



1. Avant toute installation, éteignez l'appareil et débranchez-le de la prise de courant.



2. Pour un résultat optimal, la hotte aspirante doit être installée à une distance de 65 à 75 cm au-dessus de la surface de cuisson. Voir l'illustration 1.

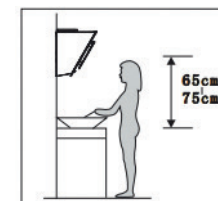


Illustration 1

3. Après avoir déterminé la hauteur de la hotte aspirante, mesurez la position des trous pour suspendre la hotte ainsi que le support de cheminée intérieure. Percez 8 trous et installez des chevilles : 2 pour le support de cheminée intérieure et 2 autres pour suspendre la hotte, tout en veillant à que cette dernière reste de niveau. La position du support de cheminée intérieure correspond à l'emplacement le plus élevé de la cheminée. Voir l'illustration 2.
4. Vissez 2 vis de 4 x 30 mm sur le mur à l'aide de chevilles. Les vis de montage installées doivent dépasser de 3 à 5 mm du mur, afin de pouvoir accrocher la hotte. Utilisez ensuite 2 vis de 4 mm x 40 mm pour fixer le support de cheminée intérieure. Voir l'illustration 2.

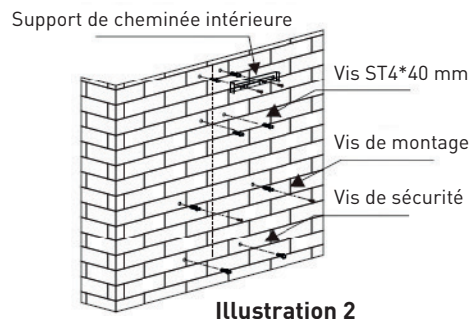


Illustration 2

5. Installez le clapet anti-retour, l'adaptateur et le tuyau d'expansion sur la hotte aspirante. Fixez le tuyau d'expansion sur l'évacuation à l'aide d'un collier de serrage. Voir l'illustration 3.

Remarque : le tuyau d'expansion n'est pas fourni avec cet appareil.

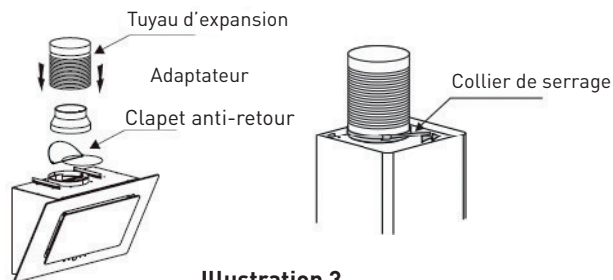


Illustration 3

6. Suspendez la hotte au mur en ajustant sa position et fixez la hotte aspirante à l'aide de 2 vis de sécurité ST4*30 mm. Remarque : les deux événements de sécurité sont placés sur le capot arrière et présentent un diamètre de 6 mm. Voir les illustrations 4 et 6.

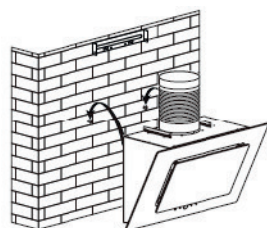


Illustration 4

7. Installez le support de cheminée extérieure sur la cheminée extérieure à l'aide de 2 vis ST4*8 mm et vérifiez que la cheminée intérieure peut se plier librement. Voir l'illustration 5. Placez ensuite la cheminée sur la hotte, en utilisant 2 vis ST4*8 mm pour fixer la cheminée extérieure sur le capot de la hotte et 2 vis ST4*40 mm pour la fixer au mur. Dirigez en même temps le tuyau d'expansion vers l'extérieur. Voir l'illustration 6.

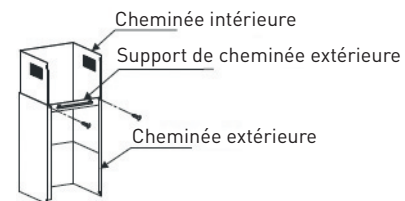


Illustration 5

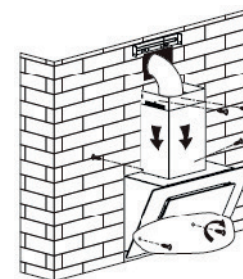


Illustration 6

8. Réglez la hauteur de la cheminée intérieure par rapport à la position du support de cheminée intérieure et fixez-la à l'aide de 2 vis ST4*8 mm. Voir l'illustration 7.

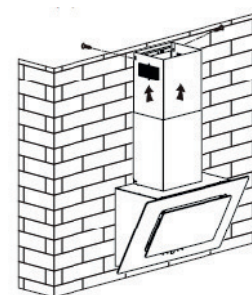


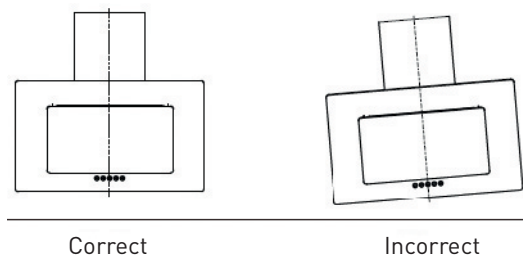
Illustration 7

CONSEILS POUR L'INSTALLATION DU CONDUIT D'ÉVACUATION

Pour obtenir une extraction d'air optimale, il convient de respecter strictement les règles suivantes :

- Veillez à ce que le tuyau d'expansion soit court et droit.
- Ne raccourcissez pas et n'entrez pas le tuyau d'expansion.
- En cas d'utilisation d'un tuyau d'expansion, installez-le toujours de manière à ce qu'il soit bien tendu pour limiter les pertes de pression.

- Le non-respect de ces consignes de base nuira aux performances de la hotte et accroîtra son niveau sonore.
- Toute opération d'installation doit être effectuée par un électricien qualifié ou une autre personne compétente.
- Ne raccordez pas l'ensemble des conduits d'évacuation de la hotte à un système de ventilation existant qui est utilisé pour un autre appareil, comme des conduites de chauffage, de gaz ou d'air chaud.
- L'angle de courbure du tuyau d'expansion ne doit pas être inférieur à 120° ; vous devez orienter le tuyau à l'horizontale, ou vous avez également la possibilité de diriger le tuyau depuis le point initial vers le haut et vers un mur extérieur.
- Une fois l'installation effectuée, assurez-vous que la hotte aspirante est de niveau, pour éviter que la graisse ne s'accumule à une extrémité.
- Assurez-vous que le tuyau d'expansion choisi pour l'installation respecte les normes applicables et est ignifugé.



Assurez-vous que le conduit d'évacuation choisi pour l'installation respecte les normes applicables et est ignifugé.

AVERTISSEMENT :

Pour des raisons de sécurité, veuillez utiliser uniquement des vis de fixation ou de montage présentant les dimensions recommandées dans ce guide d'utilisation.

Toute installation de vis ou de dispositifs de fixation non conformes aux présentes instructions peut entraîner un danger électrique.

Installation sans évacuation extérieure

Modèle à recyclage

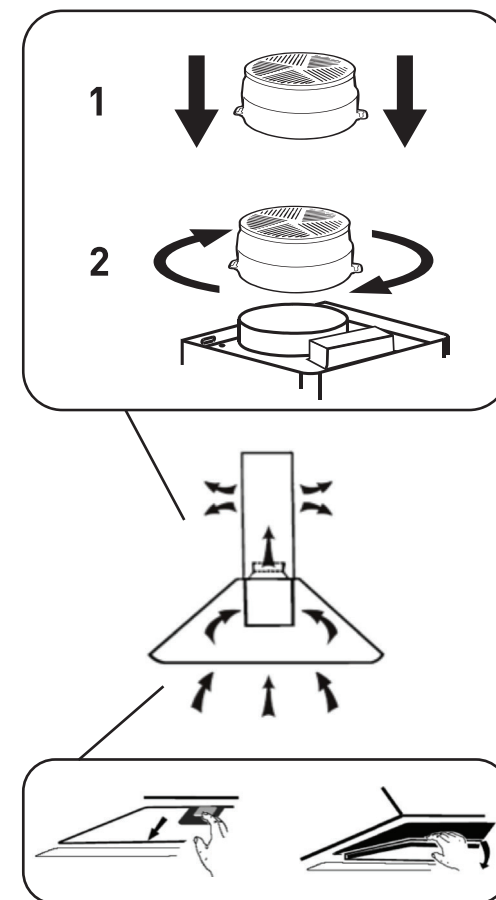
Contactez votre fournisseur pour vous procurer des filtres à charbon actif, afin de transformer la hotte à extraction en hotte à recyclage.

Installation du filtre à charbon actif (cassette)

- Vérifiez que le diamètre du filtre à charbon actif correspond au diamètre de l'évacuation.
- Si nécessaire, retirez l'adaptateur de diamètre pré-installé.
- Placez le filtre à charbon actif sur l'évacuation et fixez-le en place en le tournant dans le sens inverse des aiguilles d'une montre.

Installation du filtre à charbon actif (prédécoupé)

- Le filtre métallique doit être retiré avant d'installer le filtre à charbon actif.
- Pour ouvrir le filtre métallique, appuyez sur le mécanisme de verrouillage et tirez le filtre vers le bas.
- Placez le filtre prédécoupé sur le filtre métallique. Maintenez-le en place à l'aide des tiges métalliques (fournies pour certains modèles).
- Remplacez le filtre métallique dans sa position initiale.



Remarque :






Assurez-vous que le filtre est correctement fixé ; sinon il risquerait de se déloger et de présenter un danger. L'installation d'un filtre à charbon réduit la puissance d'extraction de la hotte.

Utilisation de votre hotte aspirante

COMMANDES TACTILES




Il existe cinq boutons tactiles :

	(Minuteur)
	(Diminuer)
	(Alimentation)
	(Augmenter)
	(Éclairage)

Voir l'illustration ci-dessus.

1. Mise sous tension de l'appareil : après avoir connecté la hotte aspirante à l'alimentation secteur, tous les témoins lumineux s'allumeront, puis toutes les sorties seront fermées et la hotte passera en mode veille.

2. Bouton d'alimentation «  » :

2.1 Si vous appuyez une fois sur le bouton d'alimentation  , les témoins lumineux des boutons de fonction (Augmenter, Diminuer, Minuteur et Éclairage) s'allumeront. L'écran LED affichera « 0 » et la hotte passera en mode de fonctionnement. Si vous appuyez à nouveau sur le bouton d'alimentation, tous les témoins lumineux des boutons de fonction s'éteindront et toutes les fonctions de la hotte s'arrêteront. La hotte passe ainsi en mode veille et recyclage. Les boutons de fonction de la hotte ne peuvent être utilisés que lorsque la hotte est en mode de fonctionnement.

2.2 Après le passage en mode de fonctionnement, si vous n'utilisez aucune fonction dans les 2 minutes qui suivent, les témoins lumineux des boutons de fonction (Augmenter, Diminuer, Minuteur et Éclairage) et l'écran LED s'éteindront. De plus, la hotte passera en mode veille.

3. Bouton Éclairage «  » :

3.1 Si vous appuyez une fois sur le bouton Éclairage, le rétroéclairage du bouton et la lampe de la hotte s'allumeront. Appuyez de nouveau sur ce bouton pour éteindre la lampe. Le témoin lumineux du bouton passera en mode rétroéclairé. Les opérations ci-dessus peuvent être effectuées de manière répétée.

4. Bouton Augmenter «  » :

La hotte comporte 5 vitesses : « 1 », « 2 », « 3 », « 4 » et « 5 ».

4.1 Si vous appuyez une fois sur le bouton Augmenter, le témoin lumineux du bouton s'allumera et la hotte aspirante se mettra à fonctionner en vitesse « 1 ». L'écran LED indiquera « 1 ».

4.2 Si vous appuyez à nouveau sur le bouton Augmenter pendant que la hotte fonctionne en vitesse « 1 », la hotte passera à la vitesse « 2 » et l'écran LED indiquera « 2 ».

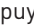
4.3 Si vous appuyez à nouveau sur le bouton Augmenter pendant que la hotte fonctionne en vitesse « 2 », la hotte passera à la vitesse « 3 » et l'écran LED indiquera « 3 ».

4.4 Si vous appuyez à nouveau sur le bouton Augmenter pendant que la hotte fonctionne en vitesse « 3 », la hotte passera à la vitesse « 4 » et l'écran LED indiquera « 4 ».

4.5 Si vous appuyez à nouveau sur le bouton Augmenter pendant que la hotte fonctionne en vitesse « 4 », la hotte passera à la vitesse « 5 » et l'écran LED indiquera « 5 ».

4.6 Les vitesses «4» et «5» sont 2 niveaux de vitesses boosts. Pour des raisons d'économie d'énergie, si vous activez l'un des modes boost il se désactivera automatiquement bout de 7 minutes. La hotte repassera alors automatiquement en vitesse «3». Il est possible de réactiver une vitesse boost dès son arrêt automatique.

5. Bouton Diminuer «  » :

5.1 Si vous appuyez sur le bouton Diminuer «  », la vitesse de la hotte aspirante diminuera d'un niveau : si vous appuyez sur le bouton Diminuer alors qu'elle fonctionne à une vitesse élevée, la hotte passera en vitesse moyenne. Le témoin lumineux du bouton Diminuer s'allumera également. Si vous appuyez sur le bouton Diminuer alors que la hotte fonctionne en vitesse moyenne, la hotte passera en vitesse basse et le témoin lumineux du bouton Diminuer s'allumera également. L'écran indique la vitesse de fonctionnement actuelle. Si vous continuez à réduire la vitesse jusqu'à « 0 », l'écran LED affichera « 0 », la hotte s'éteindra et le témoin lumineux du bouton Diminuer repassera en mode rétroéclairé.

6. Bouton Minuteur «  » :

6.1 Le bouton Minuteur peut uniquement être utilisé lorsque la hotte aspirante fonctionne. (Le bouton sera inactif si la hotte est en mode veille ou si vous allumez l'éclairage de manière indépendante). Appuyez une fois sur le bouton Minuteur pour régler 5 minutes et le témoin lumineux s'allumera. Appuyez à nouveau sur le bouton pour quitter la fonction Minuteur et le témoin lumineux repassera en mode rétroéclairé. Vous pouvez régler le minuteur de manière répétée. Une fois le temps écoulé, la hotte aspirante et le témoin lumineux s'éteindront.

6.2 Si vous ajustez la vitesse après avoir réglé le minuteur, la fonction Minuteur sera annulée.

Dépannage

Problème	Cause possible	Solution
La lumière s'allume, mais le moteur ne fonctionne pas.	L'interrupteur de la hotte est éteint.	Enclenchez l'interrupteur de la hotte.
	Panne de l'interrupteur de la hotte	Contactez le centre de réparation.
	Panne du moteur	Contactez le centre de réparation.
La lumière ne s'allume pas, le moteur ne fonctionne pas.	Les fusibles de la maison ont grillé.	Réenclenchez/changez les fusibles.
	Le câble d'alimentation secteur est débranché ou mal branché.	Rebranchez correctement le câble d'alimentation dans la prise de courant. Allumez la prise de courant.
	Le clapet anti-retour et l'orifice d'évacuation présentent un défaut d'étanchéité.	Démontez le clapet anti-retour et scellez-le à l'aide d'un produit d'étanchéité.
Fuite d'huile	Fuite au niveau du raccordement entre la cheminée et le capot	Retirez la cheminée et fixez-la de manière étanche.
Les lumières ne fonctionnent pas.	Ampoules cassées ou défectueuses	Remplacez les ampoules conformément à ce guide d'utilisation.
L'aspiration est insuffisante.	La distance entre la hotte aspirante et la surface de cuisson est trop importante.	Replacez la hotte aspirante à une distance correcte.
La hotte aspirante est penchée.	La vis de fixation n'est pas suffisamment serrée.	Resserrez la vis de fixation en veillant à ce que la hotte soit horizontale.

REMARQUE :

Toutes réparations électriques de cet appareil doivent être conformes à vos lois locales, étatiques et fédérales. Veuillez contacter le centre de réparation en cas de doute avant d'entreprendre l'une des réparations ci-dessus.

Débranchez toujours l'appareil de la source d'alimentation avant de l'ouvrir.

Entretien et nettoyage

Attention :

La hotte aspirante doit être débranchée de la source d'alimentation électrique avant toute opération d'entretien ou de nettoyage. Assurez-vous d'avoir éteint la hotte au niveau de la prise murale et d'avoir débranché la fiche.

Les surfaces externes étant sensibles aux rayures et aux abrasions, veuillez suivre les consignes de nettoyage afin d'obtenir un résultat optimal sans endommager l'appareil.

GÉNÉRALITÉS

L'entretien et particulièrement le nettoyage doivent être effectués une fois que l'appareil a refroidi. Évitez de laisser des substances alcalines ou acides (jus de citron, vinaigre, etc.) sur les surfaces.

ACIER INOXYDABLE

L'acier inoxydable doit être nettoyé régulièrement (par exemple, chaque semaine) afin de lui assurer une longue durée de vie. Séchez ces surfaces avec un chiffon doux et propre. Vous pouvez également utiliser un liquide de nettoyage spécifique pour l'acier inoxydable.

REMARQUE :

Veuillez à essuyer l'acier inoxydable dans le sens du grain pour éviter toute apparition de rayures disgracieuses.

SURFACE DU PANNEAU DE COMMANDE

Le revêtement du panneau de commande peut être nettoyé à l'eau chaude savonneuse. Assurez-vous que le chiffon est propre et bien essoré avant de procéder au nettoyage. Utilisez un chiffon doux et sec pour retirer l'éventuelle humidité résiduelle après le nettoyage.

REMARQUE IMPORTANTE :

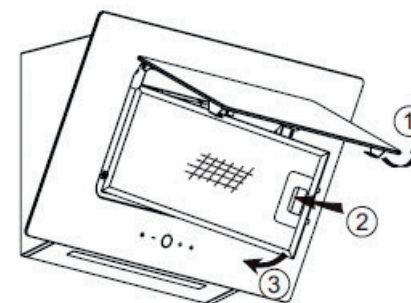
Employez des détergents neutres et évitez les produits chimiques de nettoyage agressifs, les détergents ménagers puissants ou les produits contenant des substances abrasives, car ils nuiraient à l'aspect de l'appareil, risqueraient d'ôter les éventuelles impressions décoratives sur le panneau de commande et entraîneraient l'annulation de la garantie du fabricant.

NETTOYAGE DES FILTRES ANTI-GRAISSE À MAILLES

Les filtres à mailles peuvent être nettoyés à la main. Laissez-les tremper pendant environ 3 minutes dans de l'eau avec un détergent doux, puis brossez-les délicatement à l'aide d'une brosse souple. N'exercez pas trop de pression pour éviter de les abîmer. (Laissez-les sécher à l'air libre et à l'abri de la lumière directe du soleil.)

Les filtres doivent être lavés séparément de la vaisselle et des ustensiles de cuisine. Il est conseillé de ne pas utiliser de produit de rinçage.

Suivez les indications de l'illustration ci-contre pour démonter le filtre anti-graisse.



INSTALLATION DES FILTRES ANTI-GRAISSE À MAILLES

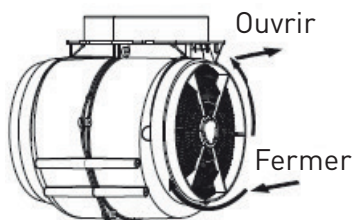
Suivez les quatre étapes ci-dessous pour installer les filtres :

- Inclinez le filtre de manière à l'insérer dans les fentes à l'arrière de la hotte.
- Appuyez sur le bouton situé sur la poignée du filtre.
- Relâchez la poignée une fois que le filtre est enclenché en position.
- Répétez l'opération afin d'installer tous les filtres.

FILTRE À CHARBON (non fourni)

Un filtre à charbon actif peut être utilisé pour neutraliser les odeurs. En principe, le filtre à charbon actif doit être changé tous les trois à six mois, selon vos habitudes de cuisine. La procédure d'installation des filtres à charbon actif est la suivante :

1. Avant d'installer ou de remplacer les filtres à charbon, débranchez l'appareil de l'alimentation secteur.
2. Appuyez sur le mécanisme de verrouillage du filtre et retirez le filtre à mailles.
3. Tournez les filtres à charbon de chaque côté du moteur dans le sens inverse des aiguilles d'une montre. Remplacez les filtres à charbon par des filtres neufs.
4. Remplacez le filtre à mailles.
5. Branchez l'appareil à la prise murale.



REMARQUE :

Assurez-vous que le filtre est correctement enclenché. Dans le cas contraire, il risquerait de se détacher et de présenter un danger.

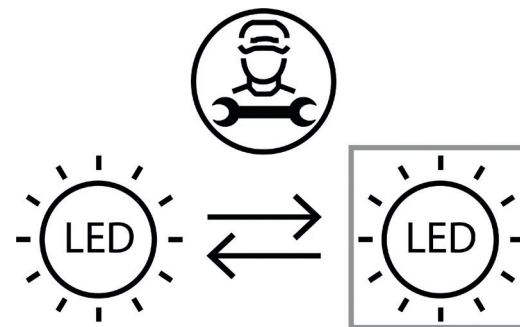
Une fois le filtre à charbon actif installé, la puissance d'aspiration sera réduite.

REPLACEMENT DE LA LAMPE

La lampe de ce produit peut uniquement être remplacée par un professionnel qualifié.

Veuillez contacter le service après-vente si la lampe ne fonctionne plus.

La lampe doit être enlevée à la fin de la vie utile du produit, afin de la trier et de la recycler séparément.



REMARQUE :

Avant de remplacer la lampe, assurez-vous que l'appareil est éteint et débranché.

Protégez-vous lorsque vous remplacez la lampe, en portant par exemple des gants.

Le code ILCOS D de cette lampe est : DSS-5/65-S-320/45,2

- Modules LED – ampoule rectangulaire
- Puissance maximale : 1 × 2 W
- Plage de tension : CC 12 V
- Dimensions :

Dank u!

Bedankt om dit VALBERG-product te kiezen. De producten van het merk VALBERG, die gekozen, getest en aanbevolen worden door ELECTRO DEPOT, zijn eenvoudig te gebruiken, betrouwbaar en van onberispelijke kwaliteit. Dankzij dit toestel kunt u er zeker van zijn dat u bij elk gebruik volledig tevreden bent.

Welkom bij ELECTRO DEPOT.

Bezoek onze website: www.electrodepot.be

Inhoudstafel

A Gebruik van het toestel

Installatie met externe opening
Installatie zonder externe opening
Uw dampkap beginnen gebruiken

B Praktische informatie

Probleemoplossing
Onderhoud en reiniging

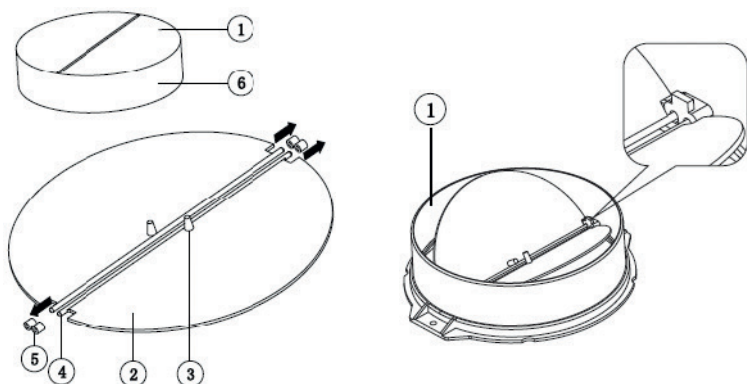
Installatie met externe opening

INSTALLATIE VAN DE V-KLEP

Indien de afzuigkap geen gemonteerde v-klep 1 heeft, dient u de halve delen op de behuizing te monteren. Deze afbeeldingen tonen een voorbeeld van hoe u de v-klep installeert, omdat de uitlaat kan verschillen van model tot model en van configuratie tot configuratie.

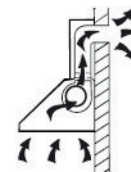
Om de v-klep 1 te monteren dient u het volgende te doen:

- Twee halve delen 2 op behuizing 6 monteren;
- de pin 3 naar boven richten;
- as 4 in de gaten 5 van de behuizing te steken;
- herhaal alle handelingen voor het tweede halve deel.



INSTALLATIE

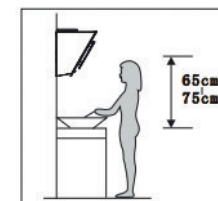
Wanneer u een uitlaat naar buiten hebt, kan uw afzuigkap aangesloten worden zoals weergegeven in onderstaande afbeelding door middel van een afzuigkanaal (email, aluminium, flexibele slang of onontvlambaar materiaal met een binnendiameter van 120/150 mm).



1. Alvorens te installeren, zet het toestel uit en maak het los van de uitlaat.

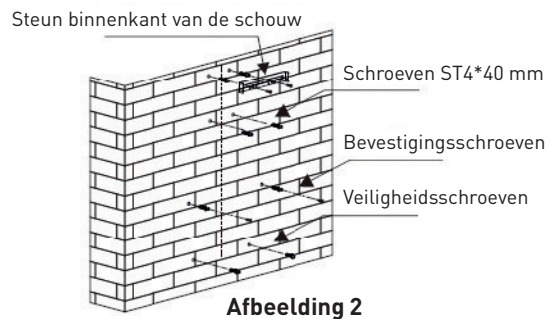


2. Voor het beste effect dient de afzuigkap op een afstand van 65~75 cm boven het kookvlak te worden geplaatst. Zie afbeelding 1



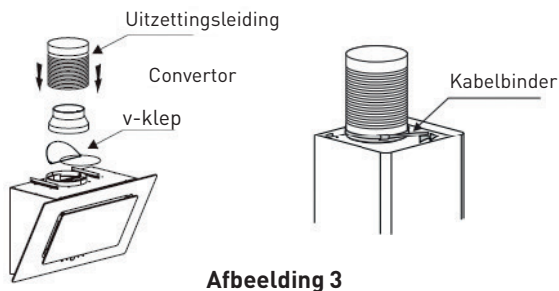
Afbeelding 1

3. Nadat u de hoogte van de afzuigkap gekozen heeft, meet u de positie van de gaten om de afzuigkap op te hangen en de steun aan de binnenkant van de schouw. Maak 8 gaten met pluggen, 2 voor de steun aan de binnenkant van de schouw en 2 om de afzuigkap op te hangen en om de afzuigkap recht te houden. De vaste positie van de steun aan de binnenkant van de schouw is de hoogste plaats aan de schouw. Zie afbeelding 2
4. Schroef 2 schroeven van 4 x 30 mm in de muur met muurpluggen en bevestigingsschroeven. Laat een ruimte van 3 tot 5 mm tot de muur om de afzuigkap op te hangen. Gebruik dan twee schroeven van 4 x 40 mm om de steun aan de binnenkant van de schouw vast te maken. Zie afbeelding 2



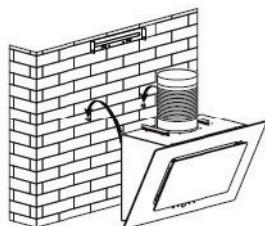
Afbeelding 2

5. Installeer de v-klep, convertor en uitzettingsleiding aan de afzuigkap. Maak de uitzettingsleiding vast aan het stopcontact met een kabelbinder. Zie afbeelding 3 **Opmerking: De uitzettingsleiding is niet inbegrepen in het product.**



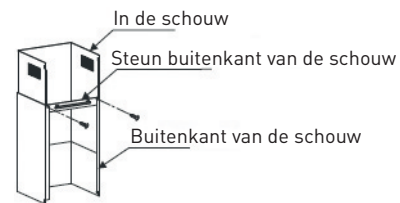
Afbeelding 3

6. Plaats de afzuigkap hangend aan de muur in een vaste positie. Pas de positie van de afzuigkap aan. Maak de afzuigkap vast met 2 veiligheidsschroeven van 4 x 30 mm. Opmerking: De twee veiligheidsontluchtingen met een diameter van 6 mm worden aan de achterkant van de behuizing geplaatst. Zie afbeelding 4 & 6

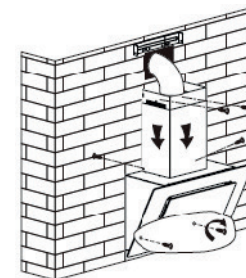


Afbeelding 4

7. Installeer de steun aan de buitenkant van de schouw met 2 schroeven ST4*8 mm. Zorg ervoor dat de binnenkant in de schouw gemakkelijk kan worden gebogen. Zie afbeelding 5. Maak de afzuigkap aan de schouw vast. Gebruik 2 schroeven ST4*8 mm om de buitenkant van de schouw vast te maken aan de behuizing van de afzuigkap en gebruik 2 schroeven ST4*40mm om aan de muur te bevestigen. Plaats de uitzettingsleiding tegelijkertijd aan de buitenkant. Zie afbeelding 6

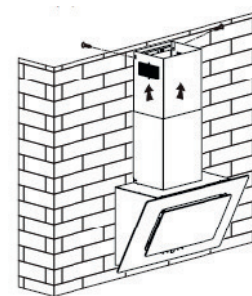


Afbeelding 5



Afbeelding 6

8. Pas de hoogte aan de binnenkant van de schouw aan de steun aan en maak vast met 2 schroeven van ST4*8mm. Zie afbeelding 7



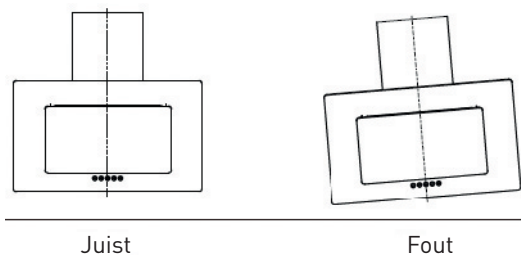
Afbeelding 7

TIPS VOOR DE INSTALLATIE VAN DE AFVOERLEIDING

Voor een optimale extractie van de lucht dienen de volgende regels strikt nageleefd te worden:

- Zorg ervoor dat de uitzettingsleiding kort en recht is.
- Maak de uitzettingsleiding niet korter.
- Wanneer u de uitzettingsleiding gebruikt, moet u de leiding altijd strak installeren om drukverlies te vermijden.

- Wanneer u deze basisinstructies niet naleeft, zullen de prestaties verminderen en zal de afzuigkap meer lawaai maken.
- Werk aan de installatie moet uitgevoerd worden door een gekwalificeerde elektricien of een bevoegd persoon.
- Verbind het kanaalsysteem van de afzuigkap niet met een bestaand ventilatiesysteem dat voor een ander toestel gebruikt wordt, zoals een buis voor verwarming, gas of hete lucht.
- De hoek van de buiging van de uitzettingsleiding mag niet kleiner zijn dan 120°; U dient de leiding horizontaal te leiden. Anders moet de leiding naar boven gaan vanuit het vertrekpunt en naar een buitenmuur leiden.
- Kijk na het installeren na of de afzuigkap waterpas staat om te vermijden dat vet zich aan een zijde opstapelt.
- Zorg ervoor dat de uitzettingsleiding die voor de installatie geselecteerd werd, beantwoordt aan de relevante normen en brandvertragend is.



Zorg ervoor dat de uitzettingsleiding die voor de installatie geselecteerd werd, beantwoordt aan de relevante normen en brandvertragend is.

WAARSCHUWING:

Gelieve om veiligheidsredenen enkel de grootte van bevestigings- of montageschroeven te gebruiken die aanbevolen worden in de instructiehandleiding.

Wanneer het toestel niet wordt bevestigd of vastgeschroefd in overeenstemming met deze instructies, kan dit elektrische risico's inhouden.

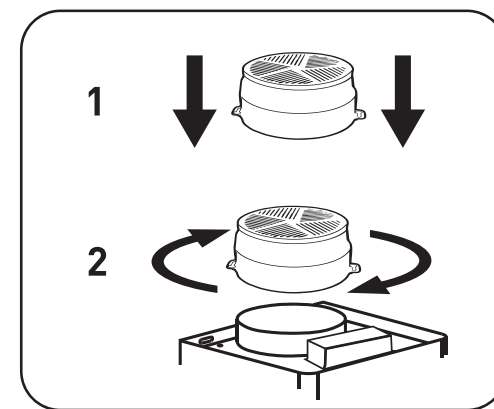
Installatie zonder externe opening

Versie met recyclage

Neem contact op met uw leverancier om actieve koolstoffilters te bekommen om de dampkap om te vormen tot een dampkap met recyclage.

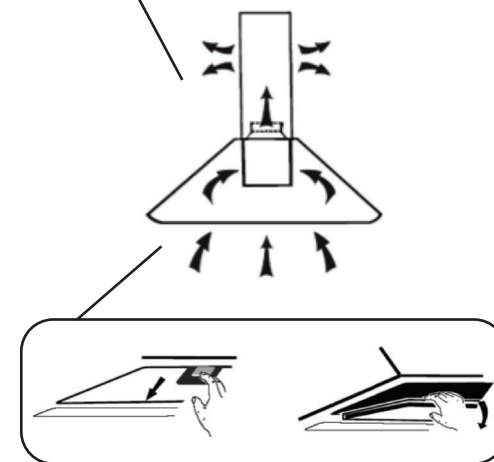
Installatie van de actieve koolstoffilter (cassette)

- Controleer of de diameter van de actieve koolstoffilter overeenstemt met de diameter van de uitlaat.
- Verwijder indien nodig de vooraf geïnstalleerde diameteradapter.
- Plaats de actieve koolstoffilter op de uitlaat en bevestig hem door tegen de klok in te draaien.



Installatie van de actieve koolstoffilter (uitsnijding)

- De metalen filter moet verwijderd worden voor de actieve koolstoffilter wordt geïnstalleerd.
- Om de metalen filter te openen, drukt u op de vergrendeling en trekt u de filter naar beneden.
- Plaats de voorgesneden filter bovenop de metalen filter. Houd hem in positie met behulp van de metalen staven (meegeleverd afhankelijk van het model).
- Plaats de metalen filter opnieuw in zijn oorspronkelijke positie.



NB

Zorg ervoor dat de filter naar behoren is bevestigd; zo niet kan hij loskomen en een gevaar vormen.






De installatie van een koolstoffilter vermindert het afzuigvermogen van de afzuigkap.

Uw dampkap beginnen gebruiken

AANRAAKBEDIENING





Er zijn vijf aanraaktoetsen:

	(Timer)
	(Lager)
	(Aan/uit)
	(Hoger)
	(Lamp)

Zie afbeelding hierboven.

1. Zet het toestel aan: Nadat u de stekker van de afzuigkap ingestoken heeft, gaan alle controlelampjes van de toetsen aan. Dan gaan ze uit en gaat de afzuigkap in stand-by.

2. Aan/uit-knop :

2.1 Druk een keer op de aan/uit-knop . De controlelampjes van de functietoetsen (hoger, lager, timer en lamp) gaan aan. Het ledweergavescherm toont "0" en de afzuigkap gaat in gebruiksmodus. Druk opnieuw op de aan/uit-knop. Alle controlelampjes gaan uit en alle functies voor de werking van de afzuigkap worden uitgeschakeld. De afzuigkap gaat in stand-by-modus en start zo een nieuw cyclus. De functietoetsen van de afzuigkap kunnen enkel bediend worden wanneer de afzuigkap opnieuw in gebruiksmodus staat.

2.2 Wanneer de afzuigkap in gebruiksmodus staat en er geen functie gekozen wordt binnen de 2 minuten, gaan de controlelampjes van de functietoetsen (hoger, lager, timer en lamp) en het ledweergavescherm uit. De afzuigkap gaat dan in stand-by-modus.

3. Lamptoets :

3.1 Druk een keer op de lamptoets. De knop voor achtergrondverlichting gaat uit en de lamp gaat aan. Druk opnieuw. Het lampje gaat uit. Het controlelampje van de knop gaat terug naar de modus achtergrondverlichting. De bovenstaande stappen kunnen herhaaldelijk uitgevoerd worden.

4. Knop Hoger :

De afzuigkap heeft 5 snelheden: "1", "2", "3", "4" en "5"

4.1 Druk een keer op de knop Hoger. De knop voor controlelampje uit gaat aan. De afzuigkap begint te werken aan snelheid "1" en het ledweergavescherm toont "1".

4.2 Druk opnieuw op de knop Hoger wanneer de afzuigkap op snelheid "1" werkt. De afzuigkap werkt dan aan snelheid "2" en het ledweergavescherm toont "2".

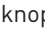
4.3 Druk opnieuw op de knop Hoger wanneer de afzuigkap op snelheid "2" werkt. De afzuigkap werkt dan aan snelheid "3" en het ledweergavescherm toont "3".

4.4 Druk opnieuw op de knop Hoger wanneer de afzuigkap op snelheid "3" werkt. De afzuigkap werkt dan aan snelheid "4" en het ledweergavescherm toont "4".

4.5 Druk opnieuw op de knop Hoger wanneer de afzuigkap op snelheid "4" werkt. De afzuigkap werkt dan aan snelheid "5" en het ledweergavescherm toont "5".

4.6 Snelheden "4" en "5" zijn 2 boostsnelheidsniveaus. Als u om energiebesparende redenen een van de boostmodi activeert, wordt deze na 7 minuten automatisch uitgeschakeld. De kap keert dan automatisch terug naar snelheid "3". Het is mogelijk om een boostsnelheid opnieuw te activeren zodra deze automatisch stopt.

5. Knop Lager :

5.1 Druk op de knop lager . De afzuigkap gaat een snelheid lager werken. Wanneer u op de knop Lager drukt wanneer de afzuigkap op hoge snelheid werkt, schakelt de afzuigkap over op gemiddelde snelheid. Het controlelampje van de knop Lager gaat ook aan. Wanneer u op de knop Lager drukt wanneer de afzuigkap op gemiddelde snelheid werkt, schakelt de afzuigkap over op lagere snelheid. Het controlelampje van de knop Lager gaat ook aan. Het weergavescherm toont de huidige snelheid. Indien u de snelheid blijft verminderen, toont het ledweergavescherm uiteindelijk "0". De afzuigkap gaat uit en het controlelampje van de knop Lager gaat opnieuw in de modus achtergrondverlichting.

6. Timerknop :

6.1 De timerknop wordt alleen gebruikt voor de timerfunctie wanneer de afzuigkap werkt. (Op de knop drukken is niet mogelijk wanneer de afzuigkap in stand-by staat of om de lamp apart aan te zetten) Druk een keer op de timerknop en de indicatorlampjes gaan aan. Druk opnieuw om de timerfunctie te verlaten en het controlelampje gaat in de modus achtergrondverlichting. De timer kan herhaaldelijk ingesteld worden. Wanneer de tijd afgelopen is, wordt de afzuigkap uitgeschakeld en gaat het licht uit.

6.2 Wanneer de timer ingesteld is en de snelheid aangepast wordt, wordt de timer geannuleerd.

Probleemoplossing

Probleem	Mogelijke oorzaak	Oplossing
Lamp brandt maar de motor werkt niet	Ventilatorschakelaar uitgeschakeld	Selecteer een positie voor de ventilatieschakelaar.
	Ventilatorschakelaar defect	Contacteer het service center.
	Motor defect	Contacteer het service center.
De lamp werkt niet, de motor werkt niet	Zekering in huis zijn gesprongen	Reset/vervang de zekeringen.
	De hoofdstroomkabel is los of losgekoppeld	Sluit de hoofdstroomkabel opnieuw aan op de stroomtoevoer. Stroomonderbreker is ingeschakeld.
Er lekt olie	Eenwegsklep en de uitlaat zijn niet voldoende afgedicht	Verwijder de eenwegsklep en afdichting met afdichtmiddel.
	Er is een lek in de verbinding van de schouw en het deksel	Demonteer de schouw en dicht af.
Lampen werken niet	Kapotte of defecte lampen	Vervang de lampen overeenkomstig deze instructie.
Onvoldoende afzuiging	De afstand tussen de dampkap en de bovenkant van het gasfornuis is te groot	Monteer de dampkap opnieuw op de juiste afstand.
De dampkap kantelt	De schroef is niet stevig genoeg vastgedraaid	Draai de schroef vast en zorg ervoor dat ze horizontaal staat.

OPMERKING:

Herstellingen van elektrische onderdelen van dit toestel moeten in overeenstemming met uw lokale, staats- en federale wetten uitgevoerd worden. Gelieve het service center te contacteren wanneer u twijfelt alvorens een van bovenstaande handelingen uit te voeren.

Trek de stekker van het toestel altijd uit het stopcontact wanneer u het open maakt.

Onderhoud en reiniging

Opgelet:

Voor u onderhoud uitvoert of reinigt, moet u de stekker van de afzuigkap uit het stopcontact trekken. Zorg ervoor dat de schakelaar van de afzuigkap is uitgeschakeld en dat de stekker uitgetrokken is.

Externe oppervlakken zijn niet bestand tegen krassen en schuurschade. Volg dus de reinigingsinstructies om het best mogelijk resultaat te waarborgen zonder het toestel te beschadigen.

ALGEMEEN

Reiniging en onderhoud dienen uitgevoerd te worden wanneer het toestel koud is, vooral wanneer het wordt gereinigd. Vermijd om alkaline of zure stoffen (citroensap, azijn, enz.) achter te laten op de oppervlakken.

ROESTVRIJ STAAL

Het roestvrij staal moet regelmatig gereinigd worden (bijv. wekelijks) om een lange levensduur te waarborgen. Droog met een schone, zachte doek. Er kan een speciale reinigingsvloeistof voor roestvrij staal gebruikt worden.

OPMERKING:

Zorg ervoor dat het afwrijven gebeurt in de richting van het roestvrij staal om te vermijden dat er lelijke kraspatronen in alle richtingen verschijnen.

OPPERVLAK VAN HET BEDIENINGSPANEEL

Het bedieningspaneel kan gereinigd worden met warm zeepwater. Zorg ervoor dat de doek proper en goed uitgewrongen is alvorens te reinigen. Gebruik een droge zachte doek om overtollig vocht te verwijderen dat achtergebleven is na het reinigen.

BELANGRIJK:

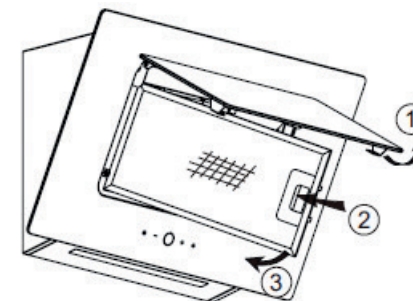
Gebruik neutrale schoonmaakmiddelen en vermijd het gebruik van harde chemische schoonmaakmiddelen, sterke huishoudelijke schoonmaakproducten of producten die schuurmiddelen bevatten, aangezien dit het uitzicht van het toestel kan aantasten en drukwerk of kunstwerken kan verwijderen op het bedieningspaneel en de fabrieksgarantie hierdoor vervalt.

VETGAASFILTERS

De gaasfilters kunnen met de hand worden gereinigd. Laat ze ongeveer 3 minuten lang weken in water met een mild afwasmiddel en veeg ze vervolgens voorzichtig af met een zachte borstel. Oefen niet te veel druk uit om te vermijden dat u ze beschadigt. (Laat ze op natuurlijke wijze drogen maar niet in de zon.)

De filters moeten afzonderlijk van keukentoeestellen en -gerei worden gereinigd. Het wordt afgeraden om spoelmiddel te gebruiken.

Volg de instructies van de afbeelding hiernaast om de vetfilter te verwijderen.



DE VETGAASFILTERS INSTALLEREN

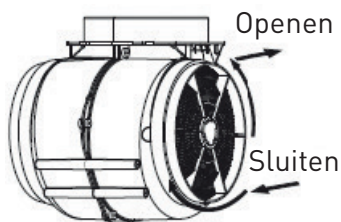
Volg de volgende vier stappen om de filters te installeren:

- Haak de filter in de gleuven aan de achterkant van de dampkap.
- Duw op de knop op de handgreep van de filter.
- Laat de handgreep los eenmaal de filter op zijn plaats zit.
- Herhaal dit om alle filters te installeren.

KOOLSTOFFILTER – niet meegeleverd

Er kan een geactiveerde koolstoffilter worden gebruikt om geurtjes vast te houden. Normaal gezien dient de actieve koolstoffilter om de 3 tot 6 maanden te worden vervangen afhankelijk van uw kookgewoontes. Hieronder vindt u hoe de actieve koolstoffilter geplaatst moet worden:

1. Trek de stekker uit het stopcontact voor u de koolstoffilters installeert of vervangt.
2. Druk op de filtervergrendeling en verwijder de gaasfilter.
3. Draai de koolstoffilter aan beide zijden van de motor tegen de klok in. Vervang de koolstoffilters door nieuwe koolstoffilters.
4. Plaats de gaasfilter.
5. Stop de stekker in het stopcontact.



OPMERKING:

Zorg ervoor dat de filter stevig vergrendeld is. Zo niet kan hij loskomen en gevaar vormen.

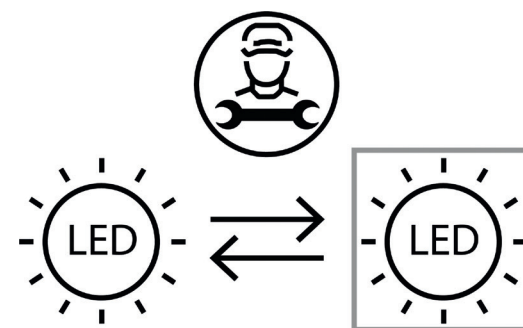
Wanneer de geactiveerde koolstoffilter bevestigd is, is de zuigkracht lager.

DE LAMP VERVANGEN

De lichtbron van dit product mag enkel vervangen worden door gekwalificeerde professionals.

Gelieve contact op te nemen met de dienst na verkoop wanneer de lichtbron defect is.

De lichtbron dient op het einde van de levensduur van het product te worden verwijderd, waarbij het sorteren en recycleren afzonderlijk gebeurt.



OPMERKING:

Voor u de lampen vervangt, moet u ervoor zorgen dat het toestel uitgeschakeld is en de stekker uitgetrokken.

Bescherm uzelf tegen gevaar wanneer u de lampen vervangt, door bijvoorbeeld handschoenen te dragen.

De ILCOS D-code voor deze lamp is: DSS-5/65-S-320/45.2

- Ledmodules – rechthoekige lamp
- Maximaal wattage: 1x2 W
- Voltagebereik: DC12V
- Afmetingen:

¡Gracias!

Gracias por elegir este producto VALBERG. Seleccionados, probados y recomendados por ELECTRO DEPOT, los productos de la marca VALBERG son fáciles de usar, fiables y de un acabado impecable. Gracias a este aparato, puede estar seguro de que cada uso le proporcionará satisfacción.

Bienvenido a ELECTRO DEPOT.

Visite nuestra página web: www.electrodepot.es

Índice

A Utilización del aparato

Instalación con salida externa
Instalación sin salida externa
Empezar a utilizar su campana extractora

B Información práctica

Solución de problemas
Mantenimiento y limpieza

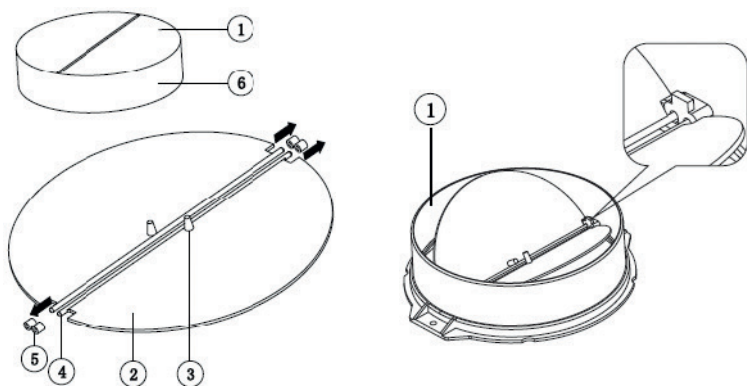
Instalación con salida externa

MONTAJE DE LA VÁLVULA ANTIRRETORNO

Si la campana extractora no tiene una válvula antirretorno 1 ya montada, debe montar ambas mitades en su carcasa. Las imágenes solo muestran un ejemplo de cómo montar la válvula antirretorno, ya que la salida puede variar según los diferentes modelos y las configuraciones.

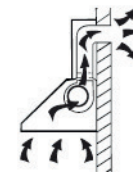
Para montar la válvula antirretorno 1 debe:

- Montar las dos mitades 2 en la carcasa 6;
- El pasador 3 debe estar orientado hacia arriba;
- El pasador 4 debe insertarse en los orificios 5 de la carcasa;
- Repetir todas las operaciones para la segunda mitad.



INSTALACIÓN

Si cuenta con una salida al exterior, su campana extractora se puede conectar como se muestra en la siguiente imagen mediante un conducto de extracción (esmaltado, aluminio, tubería flexible o material no inflamable con un diámetro interior de 120/150 mm).



1. Antes de la instalación, apague el aparato y desenchúfelo.



2. La campana extractora debe colocarse a una distancia de 65-75 cm por encima de la superficie de cocción para obtener el mejor efecto. Consulte la imagen 1.

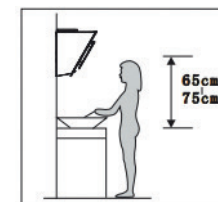


Imagen 1

3. Después de decidir la altura de la campana extractora, mida la posición de los orificios para colgar la campana y el soporte interior de la chimenea. Realice 8 orificios para colocar tacos, 2 para el soporte interior de la chimenea y 2 para colgar la campana y para mantener la campana nivelada. La posición fija del soporte interior de la chimenea es el lugar más alto de la chimenea. Consulte la imagen 2.
4. Atornille 2 tornillos de 4 x 30 mm en la pared con sus tacos de pared. Los tornillos de montaje instalados deben quedarse entre 3 y 5 mm fuera de la pared para colgar la campana. Luego, utilice 2 tornillos de 4 mm x 40 mm para fijar el soporte interior de la chimenea. Consulte la imagen 2.

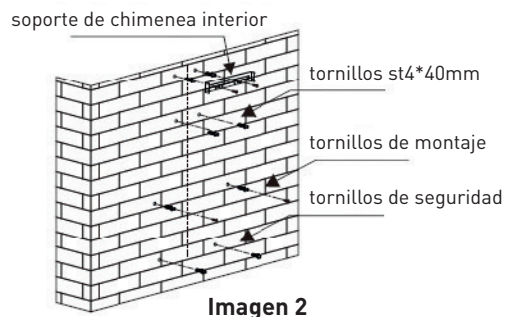


Imagen 2

5. Instale la válvula antirretorno, el convertidor y el tubo de expansión en la campana extractora. Fije el tubo de expansión en la salida con una brida para cables. Consulte la imagen 3. **Nota: el tubo de expansión no está incluido con el aparato.**

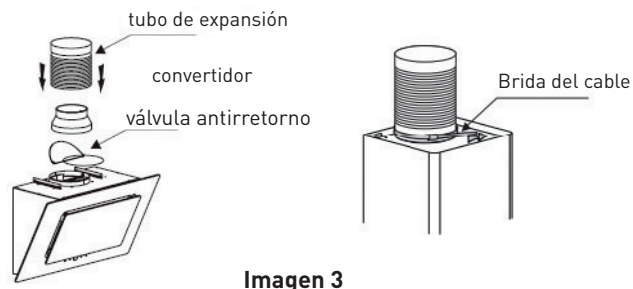


Imagen 3

6. Coloque la campana extractora colgada en la pared en una posición fija, ajuste la posición y fíjela con 2 tornillos de seguridad ST4*30 mm. Nota: los dos respiraderos de seguridad están colocados en la carcasa trasera, con un diámetro de 6 mm. Consulte las imágenes 4 y 6.

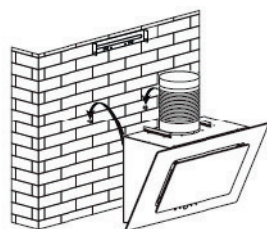


Imagen 4

7. Instale el soporte de la chimenea exterior en la chimenea exterior con 2 tornillos ST4*8 mm y asegúrese de que la chimenea interior se pueda doblar libremente. Consulte la imagen 5. Luego coloque la chimenea en la campana. Utilice 2 tornillos ST4*8 mm para fijar la chimenea exterior al cuerpo de la campana y utilice 2 tornillos ST4*40 mm para fijarla a la pared. Coloque el tubo de expansión hacia el exterior al mismo tiempo. Consulte la imagen 6.

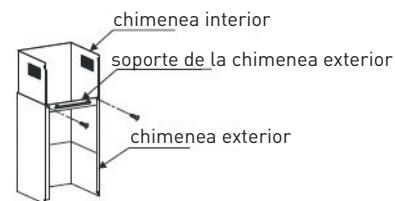


Imagen 5

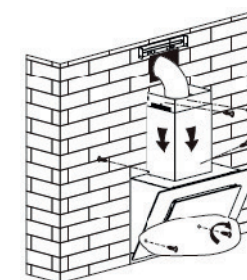


Imagen 6

8. Ajuste la altura de la chimenea interior en el soporte de la chimenea interior y fíjela con 2 tornillos ST4*8 mm. Consulte la imagen 7.

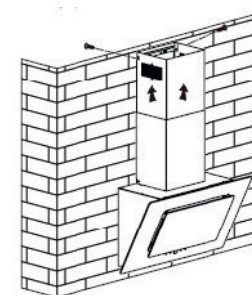


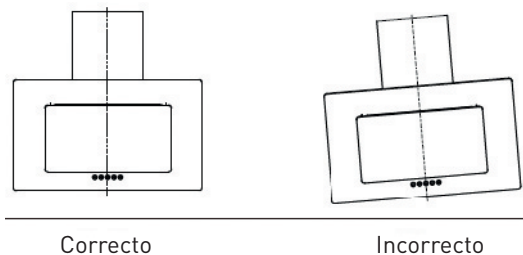
Imagen 7

CONSEJOS PARA LA INSTALACIÓN DEL CONDUCTO DE EXTRACCIÓN

Se deben seguir estrictamente las siguientes reglas para obtener una extracción de aire óptima:

- Mantenga el tubo de expansión corto y recto.
- No reduzca el tamaño ni restrinja el tubo de expansión.
- Cuando utilice el tubo de expansión, instálelo siempre bien tenso para minimizar la pérdida de presión.

- El incumplimiento de estas instrucciones básicas reducirá el rendimiento de la campana extractora y aumentará los niveles de ruido.
- La instalación debe ser realizada por un electricista cualificado o una persona competente.
- No conecte el sistema de conductos de la campana a ningún sistema de ventilación existente que se esté utilizando para cualquier otro aparato, como un tubo calentador, de gas o de aire caliente.
- El ángulo de la curvatura del tubo de expansión no debe ser inferior a 120°; debe dirigir el tubo horizontalmente o, alternativamente, el tubo debe subir desde el punto inicial y conducirse hacia una pared exterior.
- Después de la instalación, asegúrese de que la campana extractora esté nivelada para evitar la acumulación de grasa en los extremos.
- Asegúrese de que el tubo de expansión seleccionado para la instalación cumpla con los estándares pertinentes y sea ignífugo.



Correcto

Incorrecto

Asegúrese de que el conducto de extracción seleccionado para la instalación cumpla con los estándares pertinentes y sea ignífugo.

ADVERTENCIA:

Por motivos de seguridad, utilice únicamente el mismo tamaño de tornillos de fijación o montaje que se recomienda en este manual de instrucciones.

Si no instala los tornillos o dispositivos de fijación según lo indicado en estas instrucciones, podría provocar riesgos eléctricos.

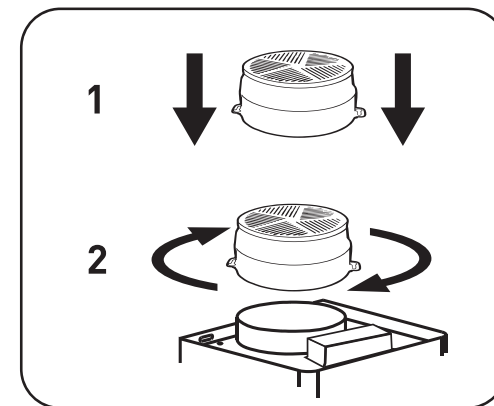
Instalación sin salida externa

Versión de reciclaje

Contacte con su distribuidor para obtener filtros de carbón activo para transformar la campana extractora en una campana de reciclaje.

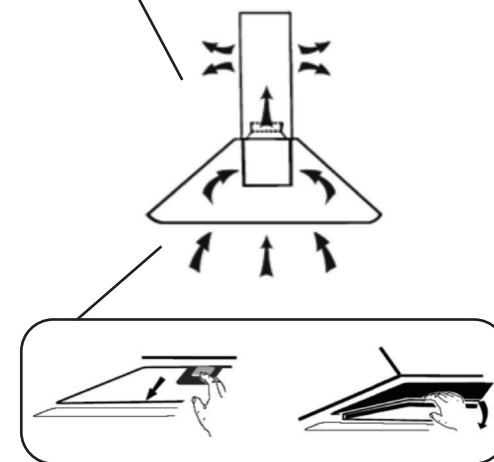
Instalación del filtro de carbón activo (cartucho)

- Compruebe que el diámetro del filtro de carbón activo corresponde con el diámetro de la salida.
- En caso necesario, retire el adaptador de diámetro instalado previamente.
- Coloque el filtro de carbón activo en la salida y fíjelo en su lugar girándolo en el sentido contrario a las agujas del reloj.



Instalación del filtro de carbón activo (recorte)

- El filtro de metal debe retirarse antes de instalar el filtro de carbón activo.
- Para abrir el filtro de metal, presione el dispositivo de bloqueo y tire del filtro hacia abajo.
- Coloque el filtro cortado previamente en la parte superior del filtro de metal. Manténgalo en posición utilizando las varillas de metal (incluidas según el modelo).
- Vuelva a colocar el filtro de metal en su posición original.



Nota

Asegúrese de que el filtro está correctamente fijado; de lo contrario, se podría caer y causar daños.

La instalación de un filtro de carbón activo reduce la potencia de extracción de la campana.

Empezar a utilizar su campana extractora

CONTROL TÁCTIL



La campana cuenta con cinco botones táctiles:

	(Temporizador)
	(Disminuir)
	(Encendido)
	(Aumentar)
	(Lámpara)

Consulte la imagen anterior.

- Encendido: después de haber conectado la campana extractora a la red eléctrica, todas las luces indicadoras de los botones se encenderán, luego todas las salidas se cerrarán y la campana extractora se pondrá en modo de espera.
- Botón de encendido «»:
 - Presione el botón de encendido una vez, las luces indicadoras de los botones de las funciones (aumento, disminución, temporizador y lámpara) se encenderán, la pantalla de led mostrará «0» y la campana se pondrá en el modo de funcionamiento. Presione el botón de encendido nuevamente, todas las luces indicadoras de los botones de las funciones se apagarán y todas las operaciones de la campana se cerrarán. La campana se pone en el modo de espera. Los botones de las funciones de la campana solo se pueden manipular cuando la campana está en el modo de funcionamiento.
 - Una vez en el modo de funcionamiento, si no se realiza ninguna acción durante dos minutos, las luces indicadoras de los botones de las funciones (aumento, disminución, temporizador y lámpara) y la pantalla de led se apagarán. Y la campana vuelve a ponerse en el modo de espera.
- Botón de la lámpara «»:
 - Presione el botón de la lámpara una vez, la retroiluminación del botón y la luz de la campana se encenderán. Presione de nuevo el botón y la luz de la campana se apagará. La luz indicadora del botón cambiará al modo de retroiluminación. Los pasos anteriores se pueden realizar repetidamente.

4. Botón Aumentar «»:

La campana tiene 5 velocidades: 1, 2, 3, 4 y 5.

- Presione el botón Aumentar una vez, la luz indicadora del botón se encenderá, la campana extractora comenzará a funcionar a la velocidad «1» y la pantalla de led mostrará «1».
- Presione nuevamente el botón Aumentar cuando el aparato esté funcionando a la velocidad «1», la campana funcionará a la velocidad «2» y la pantalla de led mostrará «2».
- Presione nuevamente el botón Aumentar cuando el aparato esté funcionando a la velocidad «2», la campana funcionará a la velocidad «3» y la pantalla de led mostrará «3».
- Presione nuevamente el botón Aumentar cuando el aparato esté funcionando a la velocidad «3», la campana funcionará a la velocidad «4» y la pantalla de led mostrará «4».
- Presione nuevamente el botón Aumentar cuando el aparato esté funcionando a la velocidad «4», la campana funcionará a la velocidad «5» y la pantalla de led mostrará «5».
- Las velocidades “4” y “5” son 2 niveles de velocidad de impulso. Por motivos de ahorro de energía, si activas uno de los modos boost, se desactivará automáticamente después de 7 minutos. La campana volverá automáticamente a la velocidad “3”. Es posible reactivar una velocidad de refuerzo tan pronto como se detenga automáticamente.

5. Botón Disminuir «»:

- Presione el botón Disminuir «», la campana extractora disminuirá una velocidad: Presione el botón Disminuir cuando el aparato esté funcionando a una velocidad alta, la campana cambiará a una velocidad media. Y la luz indicadora del botón Disminuir se encenderá. Presione el botón Disminuir cuando el aparato esté funcionando a una velocidad media, la campana cambiará a una velocidad baja y la luz indicadora del botón Disminuir se encenderá. La pantalla mostrará la velocidad actual. Si reduce continuamente la velocidad hasta que no haya ninguna velocidad, la pantalla de led mostrará «0», la campana extractora se apagará y la luz indicadora del botón Disminuir cambiará al estado de retroiluminación.

6. Botón del temporizador «»:

- El botón del temporizador solo se usa para la función de temporizador cuando la campana está funcionando. (Este botón no se puede utilizar cuando la campana está en el modo de espera o cuando enciende la lámpara). Presione el botón del temporizador una vez para configurar 5 minutos y el indicador se iluminará. Presione nuevamente el botón para salir de la función del temporizador y la luz indicadora cambia al estado de retroiluminación. Puede volver a pulsar el botón del temporizador. Cuando se acabe el tiempo programado, la campana extractora y la luz se apagarán.
- Si el temporizador está encendido y ajusta las velocidades, la función del temporizador se cancelará.

Solución de problemas

Fallo	Posible causa	Solución
La luz está encendida, pero el motor no funciona	El interruptor del ventilador está apagado	Seleccione una posición del interruptor del ventilador.
	El interruptor del ventilador da error	Contacte con el servicio de atención al cliente.
	El motor da error	Contacte con el servicio de atención al cliente.
La luz no funciona, el motor no funciona	Los fusibles de la casa han saltado	Reinicie/Cambie los fusibles.
	El cable de alimentación de la red eléctrica está suelto o desconectado	Vuelva a enchufar el cable de alimentación a la toma de corriente. Encienda la toma de corriente.
	La válvula unidireccional y la salida no están selladas firmemente	Desmonte la válvula unidireccional y séllela con sellador.
Fuga de aceite	Fuga desde la conexión de la chimenea y la tapa	Desmonte la chimenea y séllela.
Las luces no funcionan	Bombillas rotas o defectuosas	Cambie las bombillas siguiendo este manual.
Succión no suficiente	Hay demasiada distancia entre la campana extractora y la encimera de gas	Vuelva a instalar la campana extractora a la distancia correcta.
La campana extractora se inclina	El tornillo de fijación no está lo suficientemente apretado	Apriete el tornillo caído y póngalo horizontal.

NOTA:

Cualquier reparación eléctrica de este aparato debe cumplir las leyes locales, estatales y federales. Contacte con el servicio de atención al cliente si tiene dudas sobre cómo proceder a cualquier operación de las anteriores.

Desconecte siempre la unidad de la fuente de alimentación cuando maneje la unidad.

Mantenimiento y limpieza

Precaución:

Antes de llevar a cabo el mantenimiento o la limpieza, la campana extractora debe desconectarse de la alimentación eléctrica. Asegúrese de que la campana extractora está desconectada de la toma de pared y de que está desenchufada.

Las superficies externas pueden rayarse o sufrir abrasiones, por lo que debe seguir las instrucciones de limpieza para asegurarse de que consigue el mejor resultado posible sin dañar el aparato.

GENERAL

La limpieza y el mantenimiento deben llevarse a cabo con el aparato frío, especialmente su limpieza. Evite dejar sustancias alcalinas o ácidas (zumo de limón, vinagre, etc.) sobre las superficies.

ACERO INOXIDABLE

El acero inoxidable debe limpiarse de forma regular (p. ej. semanalmente) para garantizar una vida útil larga. Séquelo con un paño suave limpio. Se debe utilizar un líquido de limpieza especial para acero inoxidable.

NOTA:

Asegúrese de que la limpieza se realiza siguiendo la veta del acero inoxidable para evitar que aparezcan manchas antiestéticas de arañazos entrecruzados.

SUPERFICIE DEL PANEL DE CONTROL

El panel de control incorporado debe limpiarse utilizando agua templada con jabón. Asegúrese de que el paño está limpio y bien escurrido antes de limpiar. Utilice un paño suave y seco para retirar cualquier exceso de humedad después de limpiar.

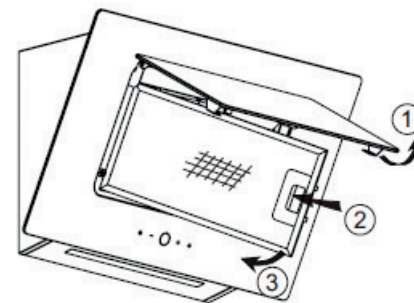
IMPORTANTE:

Use detergentes neutros y evite usar productos químicos de limpieza agresivos, detergentes domésticos fuertes o productos que contengan abrasivos, ya que esto afectará al aspecto del aparato y posiblemente eliminará cualquier impresión gráfica del panel de control y anulará la garantía del fabricante.

FILTROS DE GRASA DE MALLA

Los filtros de malla se pueden limpiar a mano. Déjelos en remojo durante aproximadamente 3 minutos en agua con un detergente suave y después lávelos con cuidado utilizando un cepillo suave. No haga mucha presión para evitar estropearlo. (Deje que se sequen de forma natural alejados de la luz directa del sol).

Los filtros deben lavarse separados de los utensilios de cocina y la vajilla. Es recomendable no utilizar abrillantador. Consulte la siguiente imagen para desmontar el filtro antigrasa.



INSTALAR LOS FILTROS DE GRASA DE MALLA

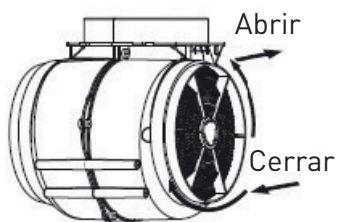
Para instalar los filtros, siga los siguientes cuatro pasos:

- Incline el filtro en las ranuras de la parte posterior de la campana.
- Presione el botón del asa del filtro.
- Suelte el asa una vez encajado el filtro en su posición.
- Repita la operación para instalar todos los filtros.

FILTRO DE CARBONO no incluido

El filtro de carbono activado se puede utilizar para atrapar olores. Normalmente el filtro de carbono activado se debe cambiar cada 3 a 6 meses según sus hábitos de cocina. El procedimiento de instalación del filtro de carbono activado es el siguiente:

1. Antes de instalar o cambiar los filtros de carbono, desenchufe el aparato.
2. Presione el bloqueo del filtro y retire el filtro de malla.
3. Gire el filtro de carbono en ambos lados del motor en el sentido contrario a las agujas del reloj. Sustituya los filtros de carbono por filtros de carbono nuevos.
4. Coloque el filtro de malla.
5. Conecte la alimentación eléctrica a la toma de pared.

**NOTA:**

Asegúrese de que el filtro está bloqueado de forma segura. De lo contrario, se podría soltar y causar peligro.

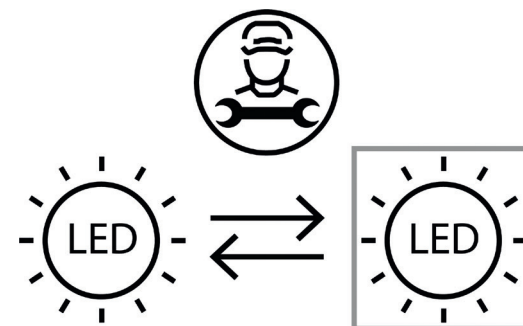
Al activar el filtro de carbón activado, la potencia de succión disminuirá.

CAMBIAR LA LÁMPARA

La fuente de luz de este producto solo puede ser reemplazada por profesionales calificados.

Póngase en contacto con el servicio posventa si la fuente de luz dejase de funcionar correctamente.

La fuente de luz se retirará al final de la vida útil del producto para efectuar la clasificación y el reciclaje por separado.

**NOTA:**

Antes de cambiar las lámparas, asegúrese de que el aparato esté apagado y desenchufado.

Protéjase contra los posibles peligros cuando cambia las lámparas utilizando guantes, por ejemplo.

El código LCOSD para esta lámpara es: DSS-5/65-S-320/45.2

- Módulos de led: lámpara rectangular
- Voltaje máximo: 1×2 W
- Rango de voltaje: CC de 12 V
- Dimensiones:

