

EN WARRANTY CONDITIONS
 This product is guaranteed against faults caused by defects in manufacturing or the materials used for a period of two years, starting from the date of purchase.* This warranty does not cover defects or damage caused by failure to install the device correctly, incorrect use of the product, or excessive wear and tear.
 *proof of purchase required.

FR CONDITION DE GARANTIE
 Ce produit est garanti pour une période de 2 ans à partir de la date d'achat*, contre toute défaillance résultant d'un vice de fabrication ou de matériau. Cette garantie ne couvre pas les vices ou les dommages résultant d'une mauvaise installation, d'une utilisation incorrecte ou de l'usure anormale du produit.
 *sur présentation du ticket de caisse.

NL GARANTIEVOORWAARDEN
 Dit product wordt gegarandeerd voor een periode van 2 jaar vanaf de aankoopdatum*, voor elke storing die het gevolg is van een fabricagefout of het materiaal. Gebreken of schade door slechte installatie, onjuist gebruik of abnormale slijtage van het product worden niet gedekt door deze garantie.
 *op vertoon van kassabon.

ES CONDICIONES DE GARANTÍA
 El certificado de garantía de este producto tiene una duración de 3 años a partir de la fecha de compra* que se limita a los defectos de fabricación y averías del material. Se excluyen de la garantía deficiencias o daños originados por una mala instalación, errores en la manipulación o por un uso inadecuado.
 *previa presentación del comprobante de compra.

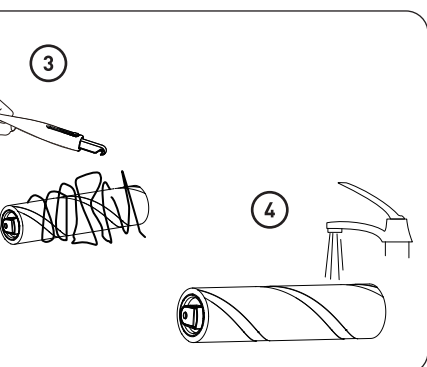
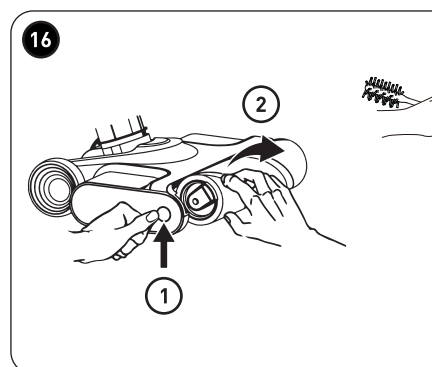
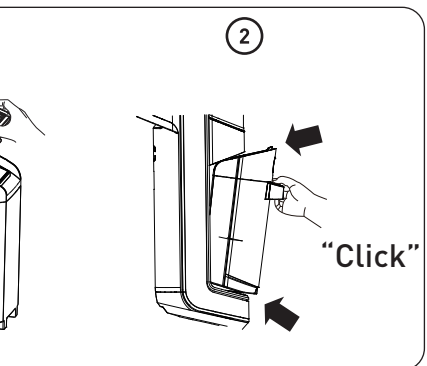
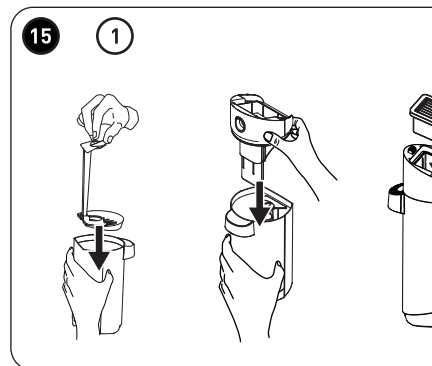
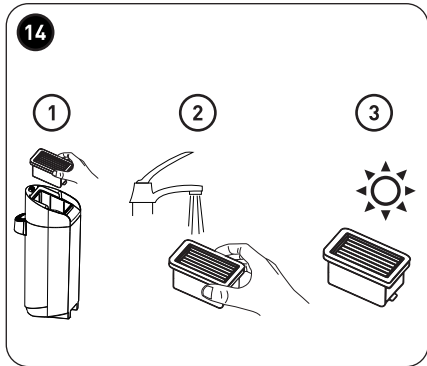
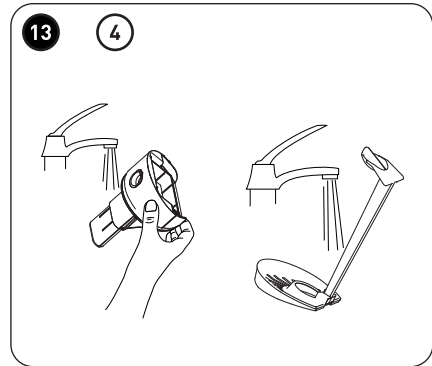
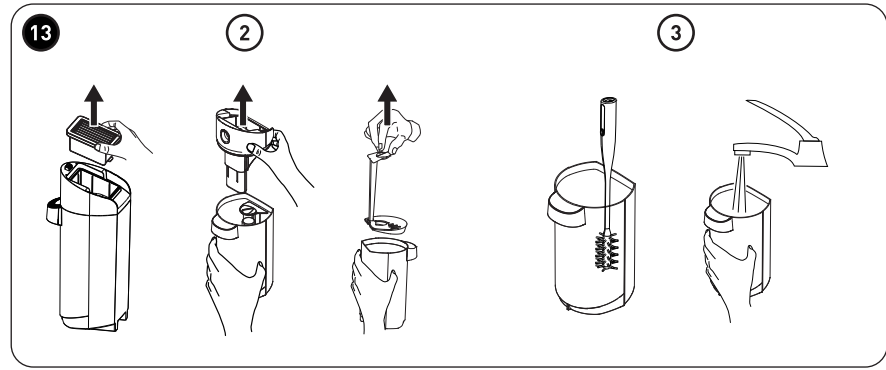
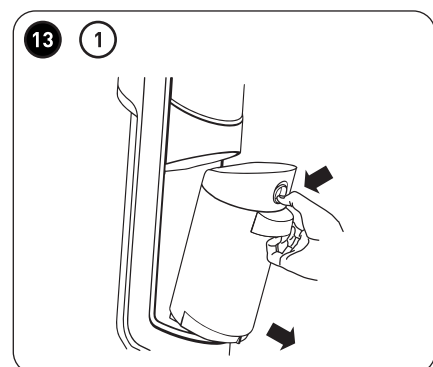
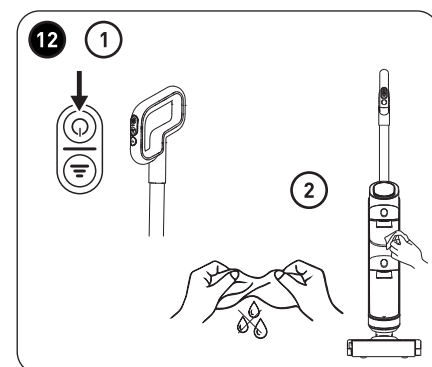
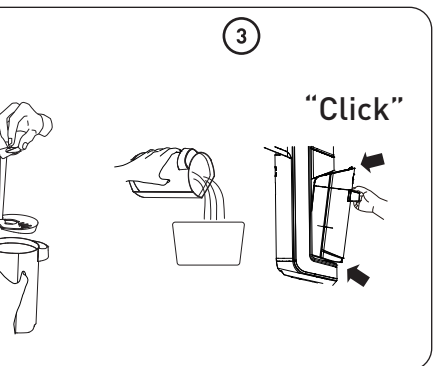
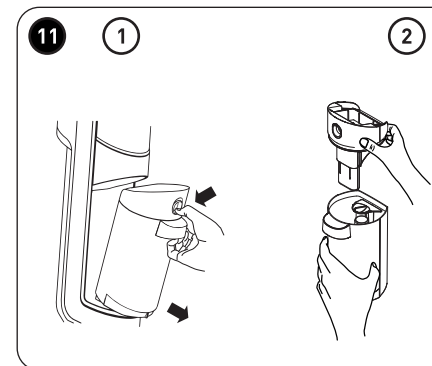
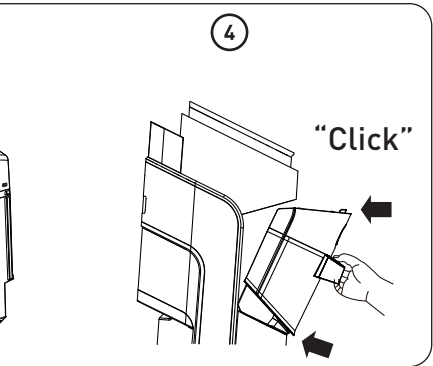
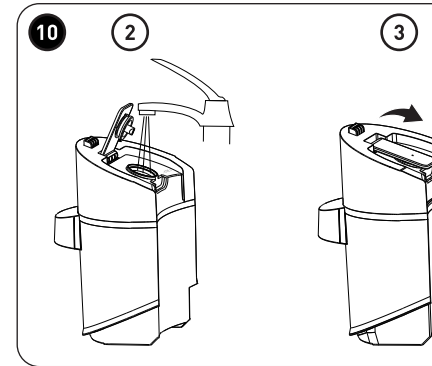
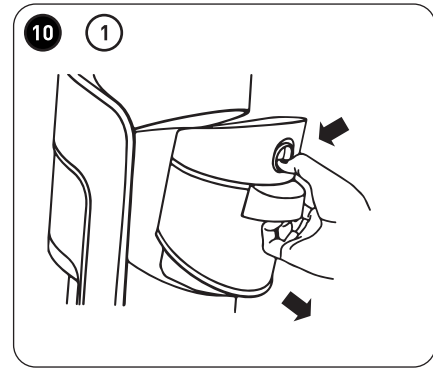
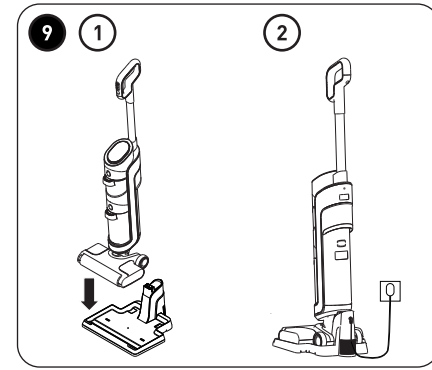
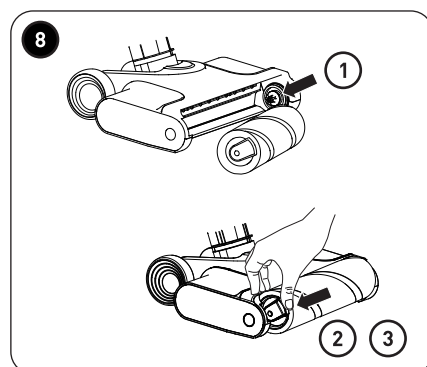
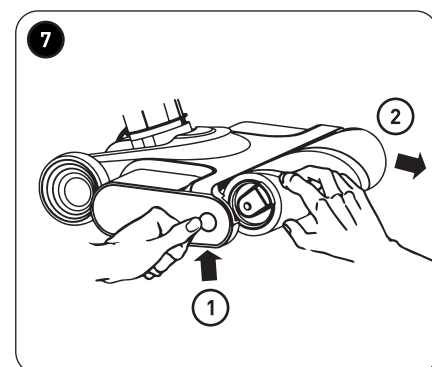
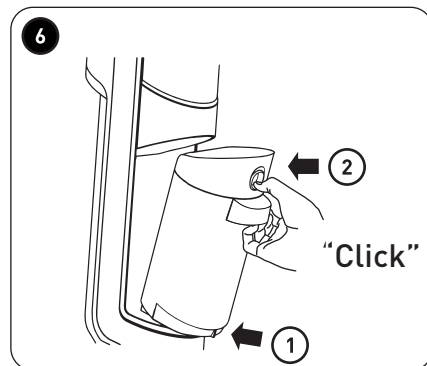
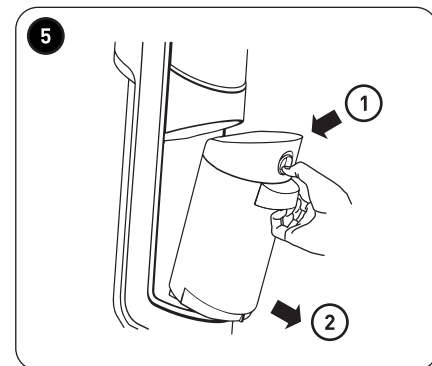
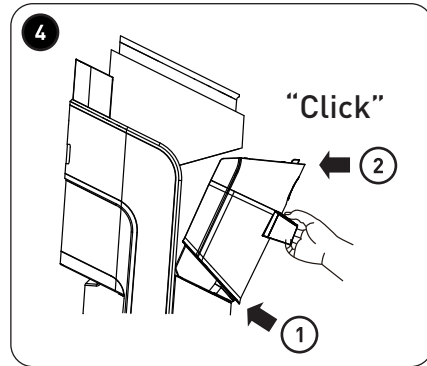
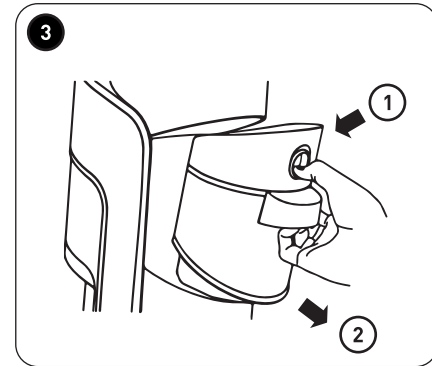
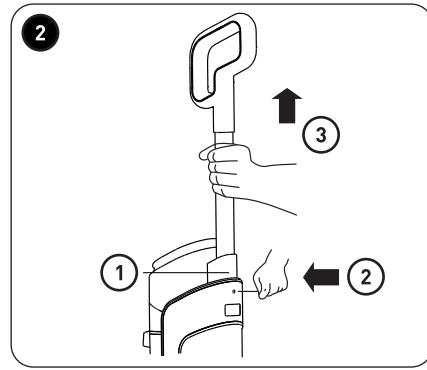
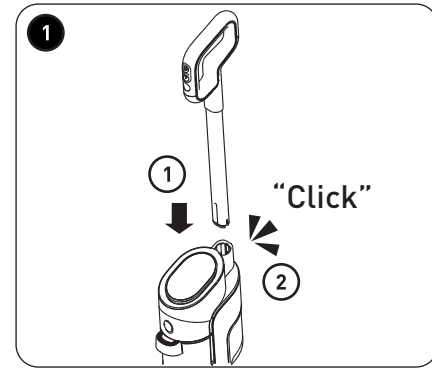
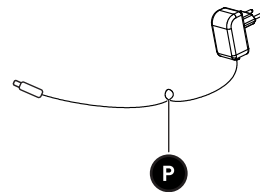
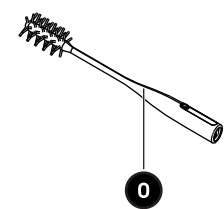
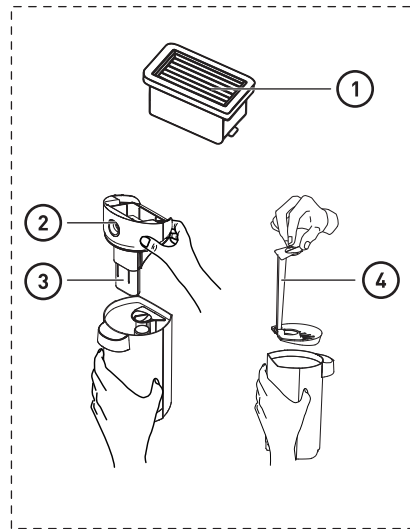
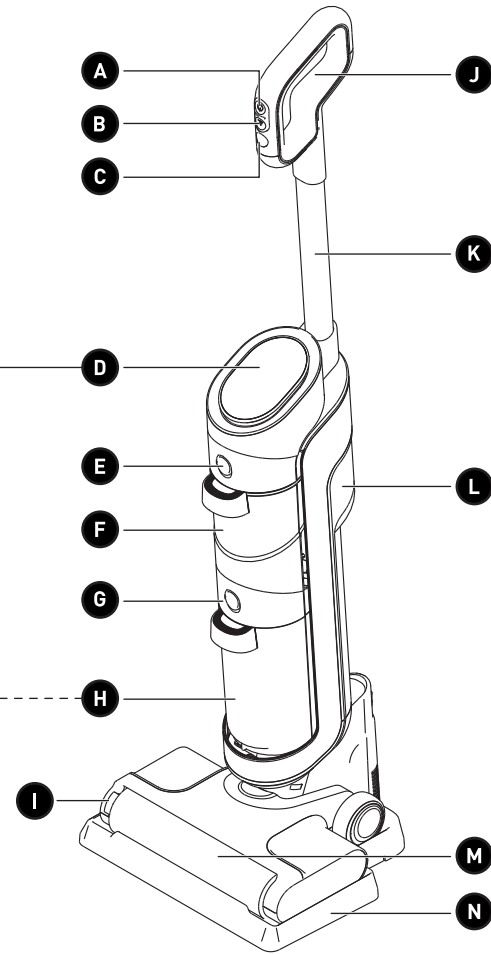
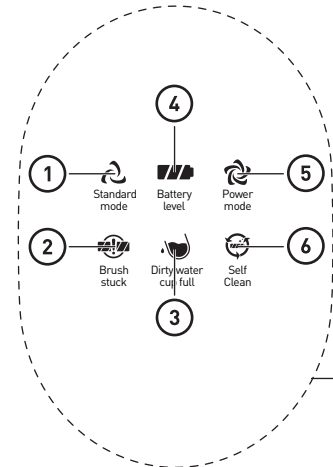
**Floorwasher
 Nettoyeur de sols
 Vloerreiniger
 Limpiador de suelos**

984070 - FL3

INSTRUCTIONS FOR USE02
 CONSIGNES D'UTILISATION18
 GEBRUIKSAANWIJZINGEN34
 INSTRUCCIONES DE USO50

ELECTRO DEPOT
 1 route de Vendeville
 59155 FACHES-THUMESNIL - FRANCE





Thank you!

Thank you for choosing this VALBERG product. VALBERG products are chosen, tested, and recommended by ELECTRO DEPOT, so you can be sure you are getting a top-quality, easy-to-use product that won't let you down.

We're confident your new device will be a pleasure to use every day!

Welcome to ELECTRO DEPOT.



Table of Contents

A

Product overview

Parts
Product overview
Intended use
Specifications

B

Product usage

Before using the product
Operations

C

Cleaning and maintenance

Cleaning and maintenance
Troubleshooting
Storage

Parts

- A** On/Off button
- B** Mode switching button
- C** Self-clean button
- D** Status icon display panel
- 1** **Standard mode** icon - default mode.
- 2** **Brush stuck** icon - On when the Rolling brush is stuck.
- 3** **Dirty water cup full** icon - On when the Dirty water cup is full.
- 4** **Battery level** icon - the icon animates while charging.
- 5** **Power mode** icon - for cleaning tougher dirt and stains
- 6** **Self-clean** icon - On when Self-clean function is in progress.
- E** Clean water cup release button
- F** Clean water cup
- G** Dirty water cup release button
- H** Dirty water cup
- 1** HEPA filter
- 2** Lid

- ③ Float
- ④ Separator
- I Rolling brush release button
- J Handle
- K Aluminum tube
- L Main body handle
- M Rolling brush
- N Charging base
- O Cleaning brush
- P Charging cable with power plug

Product overview

- Unpack and remove all labels from the unit except the nameplate. Please check that all the product's parts are included and intact. If the unit is damaged or faulty, do not use it and take it to your retailer or after-sales service centre.
- Keep all packaging out of the reach of children. There is a risk of accidents if children play with packaging materials.

Intended use

- This product is for domestic use only. It has not been designed for industrial or professional use by cleaning companies. Any other use may damage the product or cause injury. Only use the product indoors, in a dry place.

Specifications

Model:	984070 - FL3
Power:	160 W
Operating voltage:	21.6 V
Clean water cup capacity:	700ml
Dirty water cup capacity:	600ml
Battery:	2500mAh Model: Li Shen LR1865LD
Battery charging time:	4.5 ± 0.5h
Operating time:	≈30min

AC adapter

Published information	Value and precision	Unit
Company name or registered trademark, business registration number and manufacturer's address:	ELECTRO DEPOT/R.C.S. 433 744 539 1 route de Vendeville, 59155 Faches Thumesnil, FRANCE	-
Model reference:	CZH013260050EUWQ	-
Input voltage:	100-240	V
Input current frequency:	50/60	Hz
Output voltage:	26	V
Output current:	0.5	A
Output power:	13	W
Average efficiency in active mode:	≥83.39%	%
Low load efficiency (10%):	≥78%	%
No-load power consumption:	≤0.1	W
Protection class:	Class II	

Before using the product



WARNING!

- Never use the product without the filter, clean water cup or dirty water cup.
- Make sure the product is powered off and unplugged from the mains socket before attaching or changing any tools.

Attach the handle

- 1 Attach the handle with the aluminum tube to the slot of the main body vertically.
- 2 When you hear a click sound, it indicates the handle and the tube are stable and are properly assembled.

Detach the handle

- 2 1 Unplug the Floorwasher from the power supply.
- 2 Use a slender tool, for example, a small screwdriver, to insert into the hole at the back of the main body and press it.
- 3 Hold the tube and pull out the tube and the handle.

Detach the clean water cup

- 3 While pressing the clean water cup release button downward, pull out the clean water cup.

Attach the clean water cup

- 4 1 Put the clean water cup into the slot of the main body.
- 2 Push the cup in until it clicks into place.

Detach the dirty water cup

- 5 While pressing the dirty water cup release button downward, pull out the dirty water cup.

Attach the dirty water cup

- 6 1 Put the dirty water cup into the slot of the main body.
- 2 Push the cup in until it clicks into place.

Detach the rolling brush

- 7 ① Press the rolling brush release button on the left side.
- ② Pull the rolling brush upward at the left end, and then pull outward to detach the rolling brush.

Attach the rolling brush

- 8 ① Insert the right side of the rolling brush into the spindle at the right end.
- ② Put the left side of the rolling brush into the left end and align with the slot.
- ③ Push the rolling brush in until it clicks into place.

Operations**WARNING!**

- Never use the product to clean the following substances: explosive or flammable gases, liquids and dust (reactive dust), in addition to magnetic, toxic, flammable or combustible reactive metal dust (e.g. aluminium). Do not use the product to clean sharp, hot or incandescent objects at temperatures above 40°C, such as cigarettes or hot ashes.
- Do not use this product near working fireplaces or heaters. Doing so may result in deformation of the product casing.
- Unplug the charging cable after the Floorwasher is fully charged. Do not overcharge the battery. Doing so may cause overheating or deformation of the battery.


**CAUTION!**

- Never use the product without the filter or water cups.
- This product is suitable for hard floor of indoor environment, including waxed floor, stone floor, rubber floor, marble floor, granite floor, terrazzo floor, solid wood floor, composite floor, bamboo floor, and all kinds of mirror tiles, porcelain tiles, etc.
- If the product is used on uneven surface, the best cleaning effect may not be achieved.
- When the Floorwasher is not in use, place it upright against a wall corner to prevent from tripping over and causing any injuries.

Charge the Floorwasher

1. Place the Floorwasher on the charging base.
2. Connect the charging cable to the charging base and the power socket.

**NOTE:**

- When charging, the battery level icon on the display panel animates .
- Make sure the Floorwasher is fully charged before use.
- Place the charging base in a dry place.

Use the Floorwasher

Fill the clean water cup

Before using the Floorwasher, fill the clean water cup with tap water to the **MAX** line marked on the cup. Do not allow water to exceed the **MAX** line.



NOTE: You can fill the cup with warm water; however, do not use water with temperature over 60 degrees.

- 10 ① While pressing the clean water cup release button downward, pull to remove the cup.

- ② Open the lid and fill the cup with tap water. Do not allow water to exceed the **MAX** line.




NOTE: You can fill the cup with warm water; however, do not use water with temperature over 60 degrees.

- ③ Close the lid and make sure the cup is closed tight and no leakage.

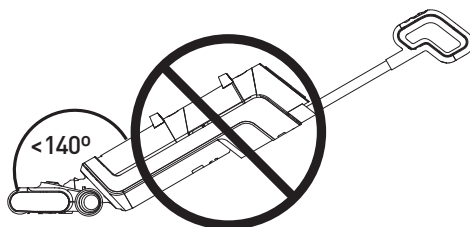
- ④ Place the clean water cup back to the main body, and then push the cup in until it clicks into place.

Power on the Floorwasher


1. Press the On/Off button  on the handle to power on the Floorwasher.
2. Tilt the Floorwasher backward to start cleaning.

**NOTE:**



- When standing upright, the Floorwasher will be powered off even if you press the On/Off button.
- Do not tilt the Floorwasher over 140 degrees. Doing so might result in water leakage from the water cups.



Power off the Floorwasher




- Press the On/Off button  on the handle.

Switch modes

1. While the Floorwasher is powering on and cleaning the floor, you can press  on the handle to switch to **Power mode** .



NOTE: Standard mode  is the default mode.

2. Press  on the handle to switch the cleaning mode between **Standard mode**  and **Power mode** .



CAUTION: Do not use the Floorwasher to clean surface with foam liquid. It is recommended using **Power mode** for tougher dirt and stains.



- Currently selected mode will be shown on the display panel.

Clean the dirty water cup



NOTE:

- After using the Floorwasher, check the suction nozzle regularly and clean the dirty water cup timely to keep the air tunnel unblocked so as to prevent from any blockages that might cause suction dropping and motor overheating, thus affecting the performance and service life of the product.


- 11 ① While pressing the dirty water cup release button downward, pull to remove the cup.
- ② Hold the cup and remove the HEPA filter and the lid, and then pull out the separator in the cup.
- ③ Empty the cup, and then place the cup back to the main body. Push the cup in until it clicks into place.

Self-clean

**NOTE:**

We recommend that you:

- Clean the dirty water cup before and after performing the **Self-clean** function.
- Clean the charging base right away if any dirty residues remain on the charging base after using the **Self-clean** function.

1. To perform rolling brush self-cleaning, place the Floorwasher back to the charging base after use.
2. While the Floorwasher is in the charging base, standing upright, press the **Self-clean** button on the handle to start .
3. After performing the self-cleaning, the Floorwasher enters charging mode.

Cleaning and maintenance



WARNING!

- To prevent the risk of electrocution, always turn off and unplug the product from the mains supply before cleaning.
- Never immerse the main body or power cord in water or any other liquid. Never rinse them under the tap.
- Use a neutral floor liquid detergent (to be purchased separately) according to the instructions. Acid, aqueous alkali or other environmental harmful substance must not be used. (For example: fill the clean water cup with tap water and add 10ml to 15ml of neutral floor liquid detergent).
- Liquid detergent should be kept out of the reach of children. If the liquid detergent gets into the eyes accidentally, rinse them thoroughly with clean water; seek medical attention immediately in case of accidental ingestion.
- Follow the local environmental protection regulations when disposing of sewage and liquid detergent.



NOTE:


- Never use solvents, chemical or abrasive cleaning products, wire brushes, sharp objects or scouring pads to clean the product.

In order to achieve its best performance, we recommend that you maintain the product regularly.

Clean the main body

- 12 ① Make sure the Floorwasher is powered off before cleaning.
- ② Clean the main body with a soft cloth. It can be slightly damp with clean water or neutral detergent. Be caution not to get the internal components wet.

Clean and empty the dirty water cup

- 13 When the dirty water cup is full, the Floorwasher will turn off automatically. The **Dirty water cup full** status icon  will appear on the display panel.
 - ① While pressing the dirty water cup release button, pull the cup out.
 - ② Remove the HEPA filter, the lid and the separator from the cup.
 - ③ Empty the cup and clean the residues on the inner wall of the cup with the cleaning brush provided. Then, rinse the cup clean.
 - ④ If you find blockage in the dirty water cup, rinse the lid, the float and the separator with tap water.

Clean the HEPA filter

- 14 We recommend that you clean the HEPA filter after each use.
 - ① Remove the HEPA filter from the dirty water cup.
 - ② Clean the filter under running tap water.
 - ③ After cleaning, allow the filter to air dry.

Re-attach the dirty water cup

- 15 After cleaning, allow the cup, the HEPA filter, the lid and the separator to dry.
 - ① Place the separator, the lid and the HEPA filter back to the dirty water cup.
 - ② Insert the dirty water cup back to the main body. Push the cup in until it clicks into place.

Clean the rolling brush



Tips:

- If there are residual stains on the suction nozzle, please wipe it clean with a damp cloth,. Do not rinse with water.
- We recommend that you clean and dry the rolling brush after each use.

- 16 **1** Press the rolling brush release button on the left side.
- 2** Pull the rolling brush upward at the left end, and then pull outward to detach the rolling brush.
- 3** Use the hook end of the supplied cleaning brush to remove any tangled hair or debris from the rolling brush.
- 4** Then rinse the rolling brush with tap water.
- 5** Wipe clean any stains on the entrance to the suction nozzle with a damp cloth.
- 6** Attach the rolling brush back to the Floorwasher.

Troubleshooting

Use this troubleshooting guide to resolve any common problems that you may encounter with the product. If the problem persists, do not use the product and contact an authorised repair centre to have it inspected and if necessary, repaired.

Problem	Possible Cause	Solution
Battery level icon flashing	<ul style="list-style-type: none"> • Motor abnormal 	<ul style="list-style-type: none"> • Clean the clog in the tube and restart the appliance.
Appliance does not work	<ul style="list-style-type: none"> • Out of power or low battery • The rolling brush is entangled with objects like hair 	<ul style="list-style-type: none"> • Fully recharge the appliance before use. • Clean the rolling brush.

Problem	Possible Cause	Solution
Weak suction power	<ul style="list-style-type: none"> • Dirty water has reached its designated capacity • The rolling brush or the dirty water cup may have been attached incorrectly • The rolling brush is entangled with objects like hair • The suction nozzle is blocked • The HEPA filter mesh above the float is dirty • Low battery 	<ul style="list-style-type: none"> • Detach the dirty water cup and empty the water. • Re-attach the rolling brush or the dirty water cup correctly. • Clean the rolling brush. • Clean the suction nozzle. • Clean the HEPA filter • Fully recharge the appliance before use.
There is abnormal sound in motor operation	<ul style="list-style-type: none"> • The suction nozzle is blocked • Dirty water has reached its designated capacity • The HEPA filter mesh above the float is dirty 	<ul style="list-style-type: none"> • Clean the suction nozzle. • Detach the dirty water cup and empty the water. • Clean the HEPA filter
Cannot be charged	<ul style="list-style-type: none"> • The appliance and the charging slot are not properly contacted 	<ul style="list-style-type: none"> • Check and properly attach the appliance to the charging base.
No water is sprayed from the rolling brush	<ul style="list-style-type: none"> • Clean water cup is empty • Clean water cup is not properly attached 	<ul style="list-style-type: none"> • Fill up the clean water cup. • Re-attach the clean water cup correctly.
There is water leakage from the air outlet	<ul style="list-style-type: none"> • Missing HEPA filter • Missing float indicator • HEPA filter is not dry enough after washing • Dirty water has reached its designated capacity 	<ul style="list-style-type: none"> • Re-attach the HEPA filter to the dirty water cup. • Re-attach the float indicator. • Allow the HEPA filter to completely dry before re-attaching it to the dirty water cup. • Detach the dirty water cup and empty the water.

Storage

- Always unplug the product before storing it.
- Store the product in a fresh, dry and dust-free place, out of the reach of children and pets.
- Please retain the packaging and use it to store the product when it is not in use for an extended period of time.



Merci !

Merci d'avoir choisi ce produit VALBERG.
Choisis, testés et recommandés par ELECTRO DEPOT,
les produits de la marque VALBERG vous assurent
une utilisation simple, une performance fiable et
une qualité irréprochable.
Grâce à cet appareil, vous savez que chaque utilisation
vous apportera satisfaction.

Bienvenue chez ELECTRO DEPOT.

Visitez notre site Internet : www.electrodepot.fr
www.electrodepot.be

VOTRE AVIS COMPTE !



**PARTAGEZ
VOTRE EXPERIENCE
SUR LES PRODUITS**

Parce que votre satisfaction est notre priorité, nous vous proposons
de donner votre avis sur ce produit. Il sera transmis et analysé par
nos équipes afin d'améliorer continuellement le produit.

Donnez votre avis sur <http://www.electrodepot.fr/avis-client>



ELECTRO DEPOT

18

FR

Table des matières

A

Aperçu de l'appareil

Pièces
Aperçu de l'appareil
Utilisation prévue
Caractéristiques

B

Utilisation de l'appareil

Avant d'utiliser l'appareil
Fonctionnement

C

Nettoyage et entretien

Nettoyage et entretien
Guide de dépannage
Rangement

Les notices sont aussi disponibles sur le site
<http://www.electrodepot.fr/sav/notices/>
<http://www.electrodepot.be/fr/sav/notices>

Pièces

- A** Bouton marche/arrêt
- B** Bouton de changement de mode
- C** Bouton d'auto-nettoyage
- D** Panneau d'affichage des icônes d'état
- 1** **Mode Standard** (icône) - mode par défaut.
- 2** **Rouleau bloqué** (icône) - allumée lorsque le rouleau de nettoyage est bloqué.
- 3** **Réservoir d'eau sale plein** (icône) - allumée lorsque le réservoir d'eau sale est plein.
- 4** **Niveau de batterie** (icône) - l'icône s'anime durant le chargement.
- 5** **Mode Puissance** (icône) - pour nettoyer les saletés et les taches tenaces.
- 6** **Auto-nettoyage** (icône) - allumée lorsque le processus d'auto-nettoyage est en cours.
- E** Bouton de déverrouillage du réservoir d'eau propre
- F** Réservoir d'eau propre
- G** Bouton de déverrouillage du réservoir d'eau sale
- H** Réservoir d'eau sale
- 1** Filtre HEPA
- 2** Couvercle

- ③ Flotteur
- ④ Séparateur
- I Bouton de déverrouillage du rouleau
- J Poignée
- K Tube en aluminium
- L Poignée de la partie principale de l'appareil
- M Rouleau de nettoyage
- N Socle de chargement
- O Brossette de nettoyage
- P Câble de chargement avec fiche d'alimentation

Aperçu de l'appareil

- Retirez l'emballage et toutes les étiquettes de l'appareil, à l'exception de la plaque signalétique. Veuillez vérifier que toutes les pièces du produit sont présentes et intactes. Si l'appareil est endommagé ou défectueux, ne l'utilisez pas et rapportez-le à votre revendeur ou au service après-vente.
- Conservez tous les emballages hors de la portée des enfants. Il existe un risque d'accident si les enfants jouent avec les matériaux d'emballage.

Utilisation prévue

- Ce produit est uniquement destiné à une utilisation domestique. Il n'a pas été conçu pour une utilisation industrielle ou professionnelle par des sociétés de nettoyage. Toute autre utilisation est susceptible d'endommager l'appareil ou de provoquer des blessures. Utilisez uniquement ce produit en intérieur, dans un endroit sec.

Caractéristiques

Modèle :	984070 - FL3
Puissance :	160 W
Tension d'alimentation :	21,6 V
Capacité du réservoir d'eau propre :	700 ml
Capacité du réservoir d'eau sale	600 ml
Batterie :	2 500 mAh Modèle : Li Shen LR1865LD
Durée de chargement de la batterie :	4,5 ± 0,5 h
Durée de fonctionnement :	≈30 min

Adaptateur secteur

Informations publiées	Valeur et précision	Unité
Nom de la société ou marque déposée, numéro d'entreprise et adresse du fabricant :	ELECTRO DEPOT /R.C.S. 433 744 539 1 route de Vendeville, 59155 Faches Thumesnil, FRANCE	-
Référence du modèle :	CZH013260050EUWQ	-
Tension d'entrée :	100-240	V
Fréquence du courant d'entrée :	50/60	Hz
Tension de sortie :	26	V
Courant de sortie :	0,5	A
Puissance en sortie :	13	W
Rendement moyen en mode actif :	≥83,39%	%
Rendement en charge faible (10 %) :	≥78%	%
Consommation électrique sans charge :	≤0,1	W
Classe de protection :	Classe II	

Avant d'utiliser l'appareil



AVERTISSEMENT !

- N'utilisez jamais le produit sans le filtre, le réservoir d'eau propre ou le réservoir d'eau sale.
- Vérifiez que le produit est éteint et débranché de la prise secteur avant d'installer ou de changer des accessoires.

Fixation de la poignée

- 1 Insérez la poignée avec le tube en aluminium verticalement dans la fente dans la partie principale de l'appareil.
- 2 Un clic se fait entendre pour indiquer que la poignée et le tube sont stables et bien enclenchés.

Retrait de la poignée

- 2 1 Débranchez le nettoyeur de sols de la prise de courant.
- 2 Insérez un outil fin, comme un petit tournevis, dans le trou situé à l'arrière de la partie principale de l'appareil et enfoncez-le.
- 3 Tenez le tube et retirez le tube et la poignée.

Retrait du réservoir d'eau propre

- 3 Maintenez le bouton de déverrouillage du réservoir d'eau propre enfoncé et sortez le réservoir d'eau propre.

Fixation du réservoir d'eau propre

- 4 1 Placez le réservoir d'eau propre dans la fente située sur la partie principale de l'appareil.
- 2 Enfoncez le réservoir jusqu'à entendre un clic.

Retrait du réservoir d'eau sale

- 5 Maintenez le bouton de déverrouillage du réservoir d'eau sale enfoncé et sortez le réservoir d'eau sale.

Fixation du réservoir d'eau sale

- 6 ① Placez le réservoir d'eau sale dans la fente située sur la partie principale de l'appareil.
- ② Enfoncez le réservoir jusqu'à entendre un clic.

Retrait du rouleau de nettoyage

- 7 ① Appuyez sur le bouton de déverrouillage du rouleau de nettoyage, du côté gauche.
- ② Tirez l'extrémité gauche du rouleau de nettoyage vers le haut, puis sortez-la pour retirer le rouleau de nettoyage.

Fixation du rouleau de nettoyage

- 8 ① Insérez l'extrémité droite du rouleau de nettoyage dans la broche située à droite.
- ② Placez l'extrémité gauche du rouleau de nettoyage dans le côté gauche en veillant à l'aligner avec la fente.
- ③ Enfoncez le rouleau de nettoyage jusqu'à entendre un clic.

Fonctionnement**AVERTISSEMENT !**

- N'utilisez jamais ce produit pour nettoyer les substances suivantes : gaz, liquides et poussières inflammables ou explosifs (poussières à haute réactivité), ainsi que les poussières métalliques réactives magnétiques, toxiques, inflammables ou combustibles (par ex. aluminium). N'utilisez pas ce produit pour nettoyer des objets tranchants ou des objets chauds ou incandescents dont la température est supérieure à 40 °C, tels que des cigarettes ou des cendres chaudes.
- N'utilisez pas ce produit à proximité d'une cheminée ou d'un radiateur. Cela pourrait en effet entraîner une déformation du boîtier du produit.
- Débranchez le câble de chargement une fois le nettoyeur de sols complètement chargé. Ne surchargez pas la batterie. Cela pourrait en effet entraîner une surchauffe ou une déformation de la batterie.

**ATTENTION !**


- N'utilisez jamais l'appareil sans le filtre ou sans les réservoirs d'eau.
- Ce produit convient au nettoyage des sols durs en intérieur, y compris les sols cirés, les sols en pierre, les sols en caoutchouc, les sols en marbre, les sols en granite, les sols en granito, les parquets, les planchers en composite, les planchers en bambou, ainsi que toutes sortes de carreaux miroirs, carreaux en porcelaine, etc.
- Les résultats de nettoyage peuvent ne pas être optimaux lorsque le produit est utilisé sur une surface irrégulière.
- Lorsque vous n'utilisez pas le nettoyeur de sols, placez-le debout contre un mur en coin pour éviter qu'il ne cause des trébuchements ou des blessures.

Chargement du nettoyeur de sols

9

1. Placez le nettoyeur de sols sur le socle de chargement.
2. Branchez le câble de chargement sur le socle de chargement et la prise de courant.

**REMARQUE :**

- Pendant le chargement, l'icône de niveau de batterie s'anime sur le panneau d'affichage .
- Veillez à ce que le nettoyeur de sols soit complètement chargé avant l'utilisation.
- Placez le socle de chargement dans un endroit sec.

Utilisation du nettoyeur de solsRemplissage du réservoir d'eau propre

Avant d'utiliser le nettoyeur de sols, remplissez le réservoir d'eau propre avec de l'eau du robinet jusqu'au repère **MAX** indiqué sur le réservoir. Ne dépassez pas le repère **MAX** lorsque vous ajoutez l'eau.



REMARQUE : Vous pouvez remplir le réservoir avec de l'eau chaude, mais n'utilisez pas d'eau à une température supérieure à 60 degrés.

10

- ① Maintenez le bouton de déverrouillage du réservoir d'eau propre enfoncé et sortez le réservoir.
- ② Ouvrez le couvercle et remplissez le réservoir d'eau du robinet. Ne dépassez pas le repère **MAX** lorsque vous ajoutez l'eau.




REMARQUE : Vous pouvez remplir le réservoir avec de l'eau chaude, mais n'utilisez pas d'eau à une température supérieure à 60 degrés.

- ③ Refermez le couvercle et vérifiez que le réservoir est bien fermé et étanche.

- ④ Remettez le réservoir d'eau propre en place sur la partie principale de l'appareil, puis enfoncez-le jusqu'à entendre un clic.

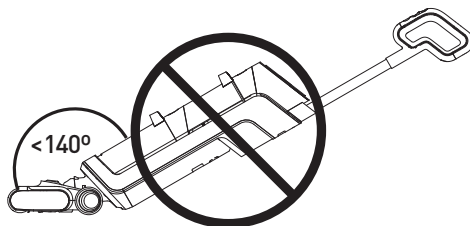
Mise en marche du nettoyeur de sols

1. Appuyez sur le bouton marche/arrêt  sur la poignée pour mettre le nettoyeur de sols en marche.
2. Inclinez le nettoyeur de sols vers l'arrière pour commencer à nettoyer.



REMARQUE :



- En position debout, le nettoyeur de sols est éteint, même si vous appuyez sur le bouton marche/arrêt.
- N'inclinez pas le nettoyeur de sols à un angle supérieur à 140 degrés. Cela pourrait en effet entraîner une fuite d'eau au niveau des réservoirs d'eau.



Arrêt du nettoyeur de sols

- Appuyez sur le bouton marche/arrêt  sur la poignée.

Changement de mode

1. Lorsque le nettoyeur de sols est en marche et en cours de fonctionnement, vous pouvez appuyer sur  sur la poignée pour passer au **mode Puissance** .



REMARQUE : Le **mode Standard**  est le mode par défaut.

2. Appuyez sur  sur la poignée pour changer de mode de nettoyage et basculer entre le **mode standard**  et le **mode Puissance** .



ATTENTION : N'utilisez pas le nettoyeur de sols pour nettoyer des surfaces avec du liquide moussant. Il est conseillé d'utiliser le **mode Puissance** pour éliminer les saletés et taches tenaces.



- Le mode actuellement sélectionné sera affiché sur le panneau d'affichage.

Nettoyage du réservoir d'eau sale



REMARQUE :

- Après l'utilisation, vérifiez régulièrement la buse d'aspiration du nettoyeur de sols et nettoyez fréquemment le réservoir d'eau sale, afin de garantir la bonne circulation de l'air et d'éviter toute obstruction qui pourrait causer une perte de l'aspiration et une surchauffe du moteur et donc entraîner une baisse des performances et une réduction de la durée de vie utile du produit.

11

- ① Maintenez le bouton de déverrouillage du réservoir d'eau sale enfoncé et sortez le réservoir.
- ② Tenez le réservoir et retirez le filtre HEPA et le couvercle, puis retirez le séparateur situé dans le réservoir.
- ③ Videz le réservoir avant de le remettre en place dans la partie principale de l'appareil. Enfoncez le réservoir jusqu'à entendre un clic.


Auto-nettoyage



REMARQUE :

Nous vous recommandons :

- De nettoyer le réservoir d'eau sale avant et après l'utilisation de la fonction **Auto-nettoyage**.
- De nettoyer immédiatement le socle de chargement si des résidus de saleté se trouvent sur ce socle après avoir utilisé la fonction **Auto-nettoyage**.

1. Pour lancer l'auto-nettoyage du rouleau de nettoyage, remettez le nettoyeur de sols en place sur le socle de chargement après l'utilisation.
2. Lorsque le nettoyeur de sols se trouve debout sur le socle de chargement, appuyez sur le bouton **Auto-nettoyage**  sur la poignée pour commencer.
3. Une fois l'auto-nettoyage terminé, le nettoyeur de sols entre en mode de chargement.

Nettoyage et entretien**AVERTISSEMENT !**

- Pour éviter tout risque d'électrocution, éteignez et débranchez toujours le produit de la prise secteur avant de le nettoyer.
- Ne plongez jamais la partie principale de l'appareil ou le cordon d'alimentation dans l'eau ou tout autre liquide. Ne les rincez jamais sous le robinet.
- Respectez les consignes d'utilisation du produit de nettoyage pour sols neutre (à acheter séparément) utilisé. N'utilisez pas d'acides, de solutions aqueuses alcalines ni d'autres substances nocives pour l'environnement. (Remplissez par exemple le réservoir d'eau propre avec de l'eau du robinet et ajoutez 10 à 15 ml de produit de nettoyage pour sols neutre.)
- Les produits de nettoyage liquides doivent être tenus hors de portée des enfants. En cas de contact accidentel entre du produit de nettoyage liquide et les yeux, rincez abondamment les yeux à l'eau claire. Consultez immédiatement un médecin en cas d'ingestion accidentelle.
- Respectez les réglementations locales en vigueur en matière de protection de l'environnement lors de l'élimination des eaux usées et des produits de nettoyage liquides.

**REMARQUE :**


- N'utilisez en aucun cas des solvants, des produits de nettoyage chimiques ou abrasifs, des brosses métalliques, des objets pointus ou des tampons à récurer pour nettoyer le produit.

Nous vous recommandons d'entretenir régulièrement le produit pour obtenir des performances optimales.

Nettoyage de la partie principale

- 12 ① Assurez-vous que le nettoyeur de sols est bien hors tension avant le nettoyage.
- ② Nettoyez la partie principale de l'appareil à l'aide d'un chiffon doux. Il est possible d'humidifier légèrement le chiffon avec de l'eau claire ou un produit de nettoyage neutre. Veillez à garder les composants internes secs.

Nettoyage et vidage du réservoir d'eau sale

- 13 Lorsque le réservoir d'eau sale est plein, le nettoyeur de sols s'éteint automatiquement. L'icône d'état **Réservoir d'eau sale plein**  apparaîtra sur le panneau d'affichage.
- ① Appuyez sur le bouton de déverrouillage du réservoir d'eau sale et sortez le réservoir.
- ② Retirez le filtre HEPA, le couvercle et le séparateur du réservoir.
- ③ Videz le réservoir et nettoyez les résidus sur les parois internes du réservoir à l'aide de la brosselette de nettoyage fournie. Rincez ensuite le réservoir.
- ④ En cas d'obstruction dans le réservoir d'eau sale, rincez le couvercle, le flotteur et le séparateur à l'eau du robinet.

Nettoyage du filtre HEPA

- 14 Nous vous recommandons de nettoyer le filtre HEPA après chaque utilisation.
- ① Retirez le filtre HEPA du réservoir d'eau sale.
- ② Nettoyez le filtre à l'eau courante.
- ③ Après le nettoyage, laissez le filtre sécher à l'air libre.

Remise en place du réservoir d'eau sale

- 15** Une fois le nettoyage terminé, laissez le réservoir, le filtre HEPA, le couvercle et le séparateur sécher à l'air libre.
- 1 Remettez le séparateur, le couvercle et le filtre HEPA en place sur le réservoir d'eau sale.
 - 2 Insérez à nouveau le réservoir d'eau sale dans la partie principale de l'appareil. Enfoncez le réservoir jusqu'à entendre un clic.

Nettoyage du rouleau



Conseils :

- En cas de taches résiduelles sur la buse d'aspiration, essuyez-les à l'aide d'un chiffon humidifié. Ne le rincez pas à l'eau.
- Nous vous recommandons de nettoyer et sécher le rouleau de nettoyage après chaque utilisation.

- 16**
- 1 Appuyez sur le bouton de déverrouillage du rouleau de nettoyage, du côté gauche.
 - 2 Tirez l'extrémité gauche du rouleau de nettoyage vers le haut, puis sortez-la pour retirer le rouleau de nettoyage.
 - 3 Utilisez le crochet à l'extrémité de la brosse de nettoyage fournie pour retirer les cheveux emmêlés ou les débris du rouleau de nettoyage.
 - 4 Rincez ensuite le rouleau à l'eau du robinet.
 - 5 Essuyez les taches situées à l'entrée de la buse d'aspiration à l'aide d'un chiffon humidifié.
 - 6 Fixez à nouveau le rouleau sur le nettoyeur de sols.

Guide de dépannage

Utilisez ce guide de dépannage pour résoudre tout problème fréquent que vous pourriez rencontrer avec ce produit. Si le problème persiste, n'utilisez pas le produit et contactez un centre de réparation agréé pour le faire inspecter et réparer, si nécessaire.

Problème	Cause possible	Solution
L'icône de niveau de la batterie clignote.	<ul style="list-style-type: none"> Il y a une anomalie au niveau du moteur. 	<ul style="list-style-type: none"> Retirez les obstructions dans le tube et remettez l'appareil en marche.
L'appareil ne fonctionne pas.	<ul style="list-style-type: none"> Le niveau de la batterie est faible ou la batterie est vide. Le rouleau de nettoyage est bloqué par des objets, comme des cheveux. 	<ul style="list-style-type: none"> Chargez complètement l'appareil avant l'utilisation. Nettoyez le rouleau de nettoyage.
La puissance d'aspiration est faible.	<ul style="list-style-type: none"> La quantité maximale d'eau sale a été atteinte. Le rouleau de nettoyage ou le réservoir d'eau sale sont peut-être mal insérés. Le rouleau de nettoyage est bloqué par des objets, comme des cheveux. La buse d'aspiration est obstruée. La grille du filtre HEPA au-dessus du flotteur est sale. Le niveau de la batterie est faible. 	<ul style="list-style-type: none"> Retirez le réservoir d'eau sale et videz-le. Remettez correctement le rouleau de nettoyage ou le réservoir d'eau sale en place. Nettoyez le rouleau de nettoyage. Nettoyez la buse d'aspiration. Nettoyez le filtre HEPA Chargez complètement l'appareil avant l'utilisation.

Problème	Cause possible	Solution
Le moteur émet un bruit étrange pendant l'utilisation.	<ul style="list-style-type: none"> • La buse d'aspiration est obstruée. • La quantité maximale d'eau sale a été atteinte. • La grille du filtre HEPA au-dessus du flotteur est sale. 	<ul style="list-style-type: none"> • Nettoyez la buse d'aspiration. • Retirez le réservoir d'eau sale et videz-le. • Nettoyage du filtre HEPA
L'appareil ne se charge pas.	<ul style="list-style-type: none"> • Il y a un mauvais contact entre l'appareil et le port de chargement. 	<ul style="list-style-type: none"> • Vérifiez que l'appareil est correctement placé sur le socle de chargement.
Il n'y a pas de jet d'eau au niveau du rouleau de nettoyage.	<ul style="list-style-type: none"> • Le réservoir d'eau propre est vide. • Le réservoir d'eau propre n'est pas correctement inséré. 	<ul style="list-style-type: none"> • Remplissez le réservoir d'eau propre. • Remettez correctement le réservoir d'eau propre en place.
De l'eau coule de la sortie d'air.	<ul style="list-style-type: none"> • Le filtre HEPA n'est pas inséré. • Le flotteur n'est pas présent. • Le filtre HEPA n'a pas séché suffisamment après le nettoyage. • La quantité maximale d'eau sale a été atteinte. 	<ul style="list-style-type: none"> • Remettez le filtre HEPA en place dans le réservoir d'eau sale. • Remettez le flotteur en place. • Laissez le filtre HEPA sécher complètement à l'air libre avant de le remettre en place dans le réservoir d'eau sale. • Retirez le réservoir d'eau sale et videz-le.

Rangement

- Débranchez toujours le produit avant de le ranger.
- Rangez le produit dans un endroit frais, sec et sans poussière, hors de portée des enfants et des animaux domestiques.
- Veuillez conserver l'emballage et l'utiliser pour y ranger le produit lorsqu'il est prévu de ne pas l'utiliser pendant une période prolongée.



Bedankt!

Proficiat met uw keuze voor een product van VALBERG. De selectie en de testen van de toestellen van VALBERG gebeuren volledig onder controle en supervisie van ELECTRO DEPOT. We staan garant voor de kwaliteit van de toestellen van VALBERG, die uitmunten in hun eenvoudig gebruik, hun betrouwbare werking en hun onberispelijke kwaliteit.

ELECTRO DEPOT beveelt de VALBERG toestellen aan en is ervan overtuigd dat u uiterst tevreden zal zijn bij elk gebruik van het toestel. Welkom bij ELECTRO DEPOT.

Bezoek onze website: www.electrodepot.be



ELECTRO DEPOT

Inhoudstafel

A

Overzicht van het toestel

Onderdelen
Overzicht van het product
Beoogd gebruik
Specificaties

B

Gebruik van het toestel

Alvorens het product te gebruiken
Werkzaamheden

C

Reiniging en onderhoud

Reiniging en onderhoud
Probleemoplossing
Opslag

Onderdelen

- A** Aan/Uit-knop
- B** Modus schakelknop
- C** Zelfreinigingsknop
- D** Displaypaneel met statuspictogrammen
 - 1** **Standaardmodus** pictogram - standaardmodus.
 - 2** **Borstel vast** pictogram - aan wanneer de rolborstel vastzit.
 - 3** **Vuilwaterreservoir vol** pictogram - aan wanneer het vuilwaterreservoir vol is.
 - 4** **Batterijniveau** pictogram - het pictogram beweegt bij het opladen.
 - 5** **Powermodus** pictogram - voor het reinigen van hardnekkig vuil en vlekken
 - 6** **Zelfreiniging** pictogram - aan wanneer de zelfreinigingsfunctie wordt uitgevoerd.
- E** Ontgrendelingsknop voor schoonwaterreservoir
- F** Schoonwaterreservoir
- G** Ontgrendelingsknop voor vuilwaterreservoir
- H** Vuilwaterreservoir
 - 1** HEPA-filter
 - 2** Deksel

- ③ Vlotter
- ④ Afscheider
- I Ontgrendelingsknop voor rolborstel
- J Handgreep
- K Aluminium buis
- L Hoofdhandgreep
- M Rolborstel
- N Oplaadstation
- O Schoonmaakborstel
- P Opladkabel met stekker

Overzicht van het product

- Pak het toestel uit en verwijder alle labels van het toestel, uitgezonderd het typeplaatje. Controleer of alle onderdelen van het product geleverd en onbeschadigd zijn. Als het toestel beschadigd of defect is, gebruik het niet en breng het naar uw winkel of klantenservice.
- Houd alle verpakking uit de buurt van kinderen. Er is risico op een ongeval als kinderen met het verpakkingsmateriaal spelen.

Beoogd gebruik

- Dit product is alleen bestemd voor huishoudelijk gebruik. Het is niet ontworpen voor industrieel of professioneel gebruik door schoonmaakbedrijven. Elk ander gebruik kan het product beschadigen of verwondingen veroorzaken. Gebruik het product alleen binnenshuis, in een droge ruimte.

Specificaties

Model:	984070 - FL3
Vermogen:	160 W
Bedrijfsspanning:	21,6 V
Inhoud schoonwaterreservoir:	700 ml
Inhoud vuilwaterreservoir:	600 ml
Batterij:	2500 mAh Model: Li Shen LR1865LD
Oplaadtijd batterij:	4,5 ± 0,5 u
Werkingsstijd:	≈30min

AC-adapter

Gepubliceerde informatie	Waarde en precisie	Eenheid
Bedrijfsnaam of geregistreerd handelsmerk, bedrijfsregistratienummer en adres van fabrikant:	ELECTRO DEPOT/R.C.S. 433 744 539 1 route de Vendeville, 59155 Faches Thumesnil, FRANKRIJK	-
Referentie model:	CZH013260050EUWQ	-
Ingangsspanning:	100-240	V
Frequentie ingangsstroom:	50/60	Hz
Uitgangsspanning:	26	V
Uitgangsstroom:	0,5	A
Uitgangsvermogen:	13	W
Gemiddelde efficiëntie in actieve modus:	≥83,39%	%
Rendement bij lage belasting (10%):	≥78%	%
Stroomverbruik in niet-belaste toestand:	≤0,1	W
Beschermingsklasse:	Klasse II	

Alvorens het product te gebruiken



WAARSCHUWING!

- Gebruik het product nooit zonder de filter, het schoonwaterreservoir of het vuilwaterreservoir.
- Zorg ervoor dat het apparaat is uitgeschakeld en de stekker uit het stopcontact is gehaald voordat u mondstukken bevestigt of vervangt.

De handgreep vastmaken

- 1 ① Bevestig de handgreep met de aluminium buis verticaal aan de sleuf van de behuizing.
- ② Wanneer u een klikgeluid hoort, geeft dit aan dat de handgreep en de buis stabiel zijn en juist zijn gemonteerd.

De handgreep losmaken

- 2 ① Haal de stekker van het de vloerreiniger uit het stopcontact.
- ② Steek een dun gereedschap, zoals een kleine schroevendraaier, in het gat aan de achterkant van de behuizing en oefen druk uit.
- ③ Houd de buis vast en trek de buis en de handgreep uit de behuizing.

Het schoonwaterreservoir losmaken

- 3 Terwijl u de ontgrendelingsknop voor schoonwaterreservoir omlaag drukt, trek het schoonwaterreservoir uit het apparaat.

Het schoonwaterreservoir vastmaken

- 4 ① Plaats het schoonwaterreservoir in de gleuf van de behuizing.
- ② Duw het reservoir in totdat die op zijn plaats klikt.

Het vuilwaterreservoir losmaken

- 5 Terwijl u de ontgrendelingsknop voor vuilwaterreservoir omlaag drukt, trek het vuilwaterreservoir uit het apparaat.

Het vuilwaterreservoir vastmaken

- 6 ① Plaats het vuilwaterreservoir in de gleuf van de behuizing.
- ② Duw het reservoir in totdat die op zijn plaats klikt.

Maak de rolborstel los

- 7 ① Druk op de ontgrendelingshendel voor rolborstel aan de linkerkant.
- ② Trek de rolborstel aan de linkerkant omhoog en trek deze dan naar buiten om los te maken.

De rolborstel vastmaken

- 8 ① Steek de rechterkant van de rolborstel in de spindel aan het rechteruiteinde.
- ② Breng de linkerkant van de rolborstel in het linkerruiteinde aan en breng deze op één lijn met de sleuf.
- ③ Duw de rolborstel in totdat deze op zijn plaats klikt.

Werkzaamheden**WAARSCHUWING!**

- Gebruik het product nooit om de volgende stoffen te reinigen: explosieve of ontvlambare gassen, vloeistoffen en stof (reactief stof), naast magnetisch, giftig, ontvlambaar of brandbaar reactief metaalstof (bijv. aluminium). Gebruik het product niet om scherpe, hete of gloeiende voorwerpen met een temperatuur boven 40°C, zoals sigaretten of hete as, te reinigen.
- Gebruik dit product niet in de buurt van werkende open haarden of kachels. Dit kan leiden tot vervorming van de behuizing van het product.
- Haal de stekker uit het stopcontact wanneer de vloerreiniger volledig is opgeladen. Laad de batterij niet te veel op. Dit kan oververhitting of vervorming van de batterij veroorzaken.


**VOORZICHTIG!**

- Gebruik het product nooit zonder de filter of waterreservoirs.
- Dit product is geschikt voor harde binnenvloeren, waaronder geboende vloeren, stenen vloeren, rubberen vloeren, marmeren vloeren, granieten vloeren, terrazzo vloeren, massief houten vloeren, composiet vloeren, bamboe vloeren, en alle soorten spiegeltegels, porseleintegels, etc.
- Als het product op een oneffen ondergrond wordt gebruikt, is het mogelijk dat de beste reinigingsprestaties niet worden bereikt.
- Wanneer de vloerreiniger niet wordt gebruikt, plaats deze rechtop in een muurhoek om te voorkomen dat deze kantelt en letsel veroorzaakt.

De vloerreiniger opladen

1. Plaats de vloerreiniger op het oplaadstation.
2. Sluit de oplaadkabel aan op het oplaadstation en het stopcontact.

**OPMERKING:**

- Tijdens het opladen beweegt het batterijniveau-pictogram op het displaypaneel .
- Zorg ervoor dat de vloerreiniger volledig is opgeladen voor gebruik.
- Plaats het oplaadstation in een droge ruimte.

De vloerreiniger gebruikenHet schoonwaterreservoir vullen

Voordat u de vloerreiniger gebruikt, vul het schoonwaterreservoir met leidingwater tot aan de aangegeven **MAX**-lijn op het reservoir. Zorg dat het water niet boven de **MAX**-lijn komt.



OPMERKING: U kunt het reservoir met warm water vullen. Gebruik echter geen water met een temperatuur van meer dan 60 graden.


- 10 **1** Terwijl u de ontgrendelingsknop voor schoonwaterreservoir omlaag drukt, trek het reservoir uit het apparaat.
- 2 Open het deksel en vul het reservoir met leidingwater. Zorg dat het water niet boven de **MAX**-lijn komt.



OPMERKING: U kunt het reservoir met warm water vullen. Gebruik echter geen water met een temperatuur van meer dan 60 graden.

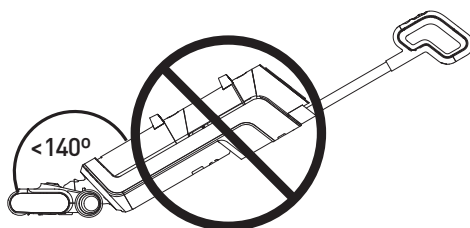
- 3 Sluit het deksel en zorg ervoor dat het reservoir goed gesloten is en niet lekt.
- 4 Plaats het schoonwaterreservoir terug in de behuizing en duw het reservoir in totdat deze op zijn plaats klikt.


De vloerreiniger inschakelen

1. Druk op de aan/uit-knop  op de handgreep om de vloerreiniger in te schakelen.
2. Kantel de vloerreiniger naar achteren om te beginnen reinigen.



**OPMERKING:**

- Wanneer de vloerreiniger rechtop staat, wordt deze uitgeschakeld, zelfs als u op de aan/uit-knop drukt.
- Kantel de vloerreiniger niet meer dan 140 graden. Dit kan leiden tot het lekken van water uit de waterreservoirs.





De vloerreiniger uitschakelen

- Druk op de aan/uit-knop  op de handgreep

Tussen de modi schakelen

1. Terwijl de vloerreiniger is ingeschakeld en de vloer reinigt, kunt u op  van de handgreep drukken om naar de **Powermodus**  te schakelen.

**OPMERKING: Standaardmodus**  is de standaardmodus.

2. **Druk op**  op de handgreep om de reinigingsmodus tussen  Standaardmodus **en**  Powermodus **te schakelen.** 



VOORZICHTIG: Gebruik de vloerreiniger niet om het oppervlak te reinigen met een schuimvloeistof. Het wordt aanbevolen om de **Powermodus** te gebruiken voor hardnekkig vuil en vlekken.



- De huidige geselecteerde modus wordt weergegeven op het displaypaneel.

Het vuilwaterreservoir schoonmaken

**OPMERKING:**

- Controleer na gebruik van de vloerreiniger regelmatig de zuigmond en reinig het vuilwaterreservoir tijdig om de luchtleiding vrij te houden en verstoppingen te voorkomen zodat de zuigkracht niet afneemt of de motor niet oververhit raakt, wat ertoe kan leiden dat de prestaties en levensduur van het product afnemen.

11


- ① Terwijl u de ontgrendelingsknop voor vuilwaterreservoir omlaag drukt, trek het reservoir uit het apparaat.
- ② Houd het reservoir vast en verwijder de filter en het deksel, trek vervolgens de afscheider uit het reservoir.
- ③ Leeg het reservoir en breng het vervolgens opnieuw aan in de behuizing. Duw het reservoir in totdat die op zijn plaats klikt.

Zelfreiniging

**OPMERKING:**

Wij raden u aan het volgende te doen:

- Reinig het vuilwaterreservoir voor en na het uitvoeren van de **zelfreinigingsfunctie**.
- Reinig het oplaadstation onmiddellijk als er vuilresten op het oplaadstation achterblijven na het gebruik van de **zelfreinigingsfunctie**.

1. Om zelfreiniging van de rolborstel uit te voeren, plaats de vloerreiniger na gebruik terug op het oplaadstation.
2. Terwijl de vloerreiniger zich in het oplaadstation bevindt en rechtop staat, druk op de **zelfreinigingsknop** op de handgreep om  te starten.
3. Na het uitvoeren van de zelfreiniging schakelt de vloerreiniger over naar de oplaadmodus.

Reiniging en onderhoud



WAARSCHUWING!

- Om het risico op elektrocutie te voorkomen, moet u het product altijd uitschakelen en de stekker uit het stopcontact halen voordat u het schoonmaakt.
- Dompel de behuizing of het snoer nooit onder in water of een andere vloeistof. Spoel ze nooit onder de kraan schoon.
- Gebruik een neutraal vloerreinigingsmiddel (afzonderlijk verkrijgbaar) volgens de instructies. Zuur, waterige alkali of andere milieubelastende stoffen mogen niet worden gebruikt. (Bijvoorbeeld: vul het schoonwaterreservoir met leidingwater en voeg 10 tot 15 ml neutraal vloerreinigingsmiddel toe).
- Het reinigingsmiddel moet buiten het bereik van kinderen worden gehouden. Als het reinigingsmiddel per ongeluk in de ogen terechtkomt, spoel ze dan grondig met schoon water. Raadpleeg onmiddellijk een arts in geval van accidentele inname.
- Volg de lokale milieuvoorschriften bij het afvoeren van afvalwater en reinigingsmiddel.



OPMERKING:


- Gebruik nooit oplosmiddelen, chemische of schurende reinigingsmiddelen, staalborstels, scherpe voorwerpen of schuursponsjes om het product schoon te maken.

Om de beste prestaties te bereiken, raden we u aan het product regelmatig te onderhouden.

De behuizing schoonmaken

- 12 ① Zorg ervoor dat de vloerreiniger is uitgeschakeld voordat u deze schoonmaakt.
- ② Maak de behuizing schoon met een zachte doek. U kunt de doek lichtjes bevochtigen met schoon water of een neutraal reinigingsmiddel. Wees voorzichtig zodat de interne componenten niet nat worden.

Maak het vuilwaterreservoir schoon en leeg het.

- 13 Wanneer het vuilwaterreservoir vol is, wordt de vloerreiniger automatisch uitgeschakeld. Het **Vuilwaterreservoir vol** statuspictogram  verschijnt op het displaypaneel.
 - ① Druk op de ontgrendelingsknop voor vuilwaterreservoir en trek het reservoir eruit.
 - ② Verwijder de HEPA-filter, het deksel en de afscheider uit het reservoir.
 - ③ Leeg het reservoir en reinig de resten op de binnenwand van het reservoir met behulp van de inbegrepen reinigingsborstel. Spoel het reservoir vervolgens schoon.
 - ④ Als u een verstopping in het vuilwaterreservoir vindt, spoel het deksel, de vlotter en de afscheider schoon met leidingwater.

De HEPA-filter reinigen

- 14 Wij raden aan de HEPA filter na elk gebruik te reinigen.
 - ① Verwijder de HEPA-filter uit het vuilwaterreservoir.
 - ② Reinig de filter onder de kraan.
 - ③ Laat de filter na het reinigen aan de lucht drogen.

Het vuilwaterreservoir opnieuw vastmaken

- 15 Laat na reiniging het reservoir, de HEPA-filter, het deksel en de afscheider drogen.
 - ① Breng de afscheider, het deksel en de HEPA-filter opnieuw aan in het vuilwaterreservoir.
 - ② Breng het vuilwaterreservoir opnieuw aan in de behuizing. Duw het reservoir in totdat die op zijn plaats klikt.

De rolborstel reinigen



Tips:

- Als er vlekken op de zuigmond te zien zijn, veeg ze weg met een vochtige doek. Niet spoelen met water.
- We raden u aan om de rolborstel en het deksel na elk gebruik schoon te maken en te drogen.

- 1 Druk op de ontgrendelingshendel voor rolborstel aan de linkerkant.
- 2 Trek de rolborstel aan de linkerkant omhoog en trek deze dan naar buiten om los te maken.
- 3 Gebruik het haakuiteinde van de inbegrepen reinigingsborstel om vastzittende haren of vuil van de rolborstel te verwijderen.
- 4 Spoel de rolborstel vervolgens onder de kraan schoon.
- 5 Veeg eventuele vlekken op de ingang van de zuigmond schoon met een vochtige doek.
- 6 Maak de rolborstel opnieuw vast aan de vloerreiniger.

Probleemoplossing

Gebruik deze probleemoplossingsgids om veelvoorkomende problemen met het product op te lossen. Als het probleem zich blijft voordoen, gebruik het product niet langer en neem contact op met een erkend reparatiecentrum om het te laten inspecteren en zo nodig te repareren.

Probleem	Mogelijke oorzaak	Oplossing
Batterijniveau-pictogram knippert	<ul style="list-style-type: none"> • Motor abnormaal 	<ul style="list-style-type: none"> • Verwijder de verstopping in de buis en schakel het apparaat opnieuw in.
Apparaat start niet	<ul style="list-style-type: none"> • Geen stroom of batterij is leeg • De rolborstel zit vast door voorwerpen zoals haar 	<ul style="list-style-type: none"> • Laad het apparaat volledig op voor gebruik. • Maak de rolborstel schoon.

Probleem	Mogelijke oorzaak	Oplossing
Zwakke zuigkracht	<ul style="list-style-type: none"> • Vuil water heeft de maximale capaciteit bereikt • De rolborstel of het vuilwaterreservoir is verkeerd bevestigd • De rolborstel zit vast door voorwerpen zoals haar • De zuigmond is verstopt • Het HEPA-filtergaas boven de vlotter is vuil • Batterij is leeg 	<ul style="list-style-type: none"> • Maak het vuilwaterreservoir. los en leeg het. • Bevestig de rolborstel of het vuilwaterreservoir. opnieuw op de juiste manier. • Maak de rolborstel schoon. • Reinig de zuigmond. • De HEPA-filter reinigen • Laad het apparaat volledig op voor gebruik.
Er is een abnormaal geluid tijdens de werking van de motor	<ul style="list-style-type: none"> • De zuigmond is verstopt • Vuil water heeft de maximale capaciteit bereikt • Het HEPA-filtergaas boven de vlotter is vuil 	<ul style="list-style-type: none"> • Reinig de zuigmond. • Maak het vuilwaterreservoir. los en leeg het. • De HEPA-filter reinigen
Kan niet worden opgeladen	<ul style="list-style-type: none"> • Het apparaat en de oplaadsleuf zijn niet goed met elkaar verbonden 	<ul style="list-style-type: none"> • Controleer en bevestig het apparaat op een juiste manier aan het oplaadstation.
Er wordt geen water uit de rolborstel gespoten	<ul style="list-style-type: none"> • Schoonwaterreservoir is leeg • Schoonwaterreservoir is niet goed bevestigd 	<ul style="list-style-type: none"> • Vul het schoonwaterreservoir. • Bevestig het schoonwaterreservoir opnieuw op een juiste manier.
Er lekt water uit de luchtuitleet	<ul style="list-style-type: none"> • HEPA-filter ontbreekt • Vlotter ontbreekt • HEPA-filter is onvoldoende droog na het wassen • Vuil water heeft de maximale capaciteit bereikt 	<ul style="list-style-type: none"> • Bevestig de HEPA-filter opnieuw aan het vuilwaterreservoir. • Bevestig de vlotter opnieuw. • Laat de HEPA-filter volledig aan de lucht drogen voordat u het opnieuw aan het vuilwaterreservoir bevestigt. • Maak het vuilwaterreservoir. los en leeg het.

Opslag

- Haal de stekker altijd uit het stopcontact voordat u het apparaat opbergt.
- Bewaar het product in een koele, droge en stofvrije ruimte, buiten het bereik van kinderen en huisdieren.
- Bewaar de verpakking en gebruik deze om het product in op te bergen wanneer u denkt die langere tijd niet te gebruiken.



¡Muchas gracias!

Muchas gracias por haber elegido nuestro producto VALBERG. Seleccionados, testados y recomendados por ELECTRO DEPOT, los productos de la marca VALBERG le aseguran una utilización sencilla, un rendimiento fiable y una calidad incuestionable.

Con este dispositivo puede estar seguro de que siempre quedará satisfecho al utilizarlo. Le damos la bienvenida a ELECTRO DEPOT.

Visite nuestra página web: www.electrodepot.es



ELECTRO DEPOT

50

ES

A

Descripción del aparato

Partes
Descripción general del producto
Uso previsto
Especificaciones

B

Utilización del aparato

Antes de usar el producto
Operaciones

C

Limpieza y mantenimiento

Limpieza y mantenimiento
Solución de problemas
Almacenamiento

Partes

- A** Botón de encendido/apagado
- B** Botón de cambio de modo
- C** Botón de autolimpieza
- D** Panel de visualización de iconos de estado
- 1** Icono de **modo estándar**: modo predeterminado.
- 2** Icono de **cepillo atascado**: se enciende cuando el cepillo giratorio está atascado.
- 3** Icono de **depósito de agua sucia lleno**: se enciende cuando el depósito de agua sucia está lleno.
- 4** Icono de **nivel de batería**: el icono se enciende progresivamente durante la carga.
- 5** Icono de **modo de potencia**: para limpiar la suciedad y las manchas difíciles.
- 6** Icono de **autolimpieza**: se enciende cuando la función de autolimpieza está en curso.
- E** Botón de liberación del depósito de agua limpia
- F** Depósito de agua limpia
- G** Botón de liberación del depósito de agua sucia
- H** Depósito de agua sucia
- 1** Filtro HEPA
- 2** Tapa

- ③ Flotador
- ④ Separador
- I Botón de liberación del cepillo giratorio
- J Mango
- K Tubo de aluminio
- L Mango del cuerpo principal
- M Cepillo giratorio
- N Base de carga
- O Cepillo de limpieza
- P Cable de carga con enchufe

Descripción general del producto

- Desembale y retire todas las etiquetas de la unidad excepto la placa de características. Compruebe que todas las piezas del producto estén incluidas e intactas. Si el aparato estuviera dañado o defectuoso, no lo utilice y llévelo a su distribuidor o centro de servicio de postventa.
- Mantenga todo el embalaje fuera del alcance de los niños. Existe el riesgo de sufrir accidentes si los niños jugaran con los materiales de embalaje.

Uso previsto

- Este producto está diseñado únicamente para su uso doméstico. No ha sido diseñada para un uso industrial o profesional por parte de empresas de limpieza. Cualquier otro uso podría dañar el producto o provocar lesiones. Utilice el producto únicamente en interiores, en un lugar seco.

Especificaciones

Modelo:	984070 - FL3
Alimentación:	160 W
Voltaje de funcionamiento:	21,6 V
Capacidad del depósito de agua limpia:	700 ml
Capacidad del depósito de agua sucia:	600 ml
Pilas:	2500mAh Modelo: Li Shen LR1865LD
Tiempo de carga de la batería:	4,5 ± 0,5 h
Tiempo de funcionamiento:	≈30min

Adaptador de CA

Información publicada	Valor y precisión	Unidad
Nombre de la empresa o marca registrada, número de registro comercial y dirección del fabricante:	ELECTRO DEPOT/R.C.S. 433 744 539 1 route de Vendeville, 59155 Faches Thumesnil, FRANCIA	-
Referencia del modelo:	CZH013260050EUWQ	-
Voltaje de entrada:	100-240	V
Frecuencia de corriente de entrada:	50/60	Hz
Voltaje de salida:	26	V
Corriente de salida:	0,5	A
Potencia de salida:	13	W
Eficiencia media en modo activo:	≥83,39%	%
Eficiencia de carga baja (10%):	≥78%	%
Consumo de energía sin carga:	≤0,1	W
Clase de protección:	Clase II	

Antes de usar el producto



¡ADVERTENCIA!

- Nunca utilice el producto sin el filtro, el depósito de agua limpia o el depósito de agua sucia.
- Asegúrese de que el producto esté apagado y desenchufado de la toma de corriente antes de colocar o cambiar cualquier herramienta.

Colocar el mango

- 1 Fije el mango con el tubo de aluminio en la ranura del cuerpo principal verticalmente.
- 2 Cuando escuche el sonido de un clic, significará que el mango y el tubo están estables y montados correctamente.

Quitar el mango

- 1 Desenchufe el limpiador de suelos de la toma de corriente.
- 2 Utilice una herramienta fina, por ejemplo, un destornillador pequeño, para insertarla en el orificio de la parte posterior del cuerpo principal y presionarlo.
- 3 Sujete el tubo y extraiga el tubo y el mango.

Quitar el depósito de agua limpia

- 3 Mientras presiona hacia abajo el botón de liberación del depósito de agua limpia, extraiga el depósito de agua limpia.

Colocar el depósito de agua limpia

- 4 Coloque el depósito de agua limpia en la ranura del cuerpo principal.
- 2 Empuje el depósito hasta que quede fijado en su posición mediante el sonido de un clic.

Quitar el depósito de agua sucia

- 5 Mientras presiona hacia abajo el botón de liberación del depósito de agua sucia, extraiga el depósito de agua sucia.

Colocar el depósito de agua sucia

- 6 ① Coloque el depósito de agua sucia en la ranura del cuerpo principal.
- ② Empuje el depósito hasta que quede fijado en su posición mediante el sonido de un clic.

Quitar el cepillo giratorio

- 7 ① Presione el botón de liberación del cepillo giratorio del lado izquierdo.
- ② Tire del cepillo giratorio hacia arriba en el extremo izquierdo y después tire de él hacia fuera para quitarlo.

Colocar el cepillo giratorio

- 8 ① Inserte el lado derecho del cepillo giratorio en el eje del extremo derecho.
- ② Coloque el lado izquierdo del cepillo giratorio en el extremo izquierdo y alinéelo con la ranura.
- ③ Empuje el cepillo giratorio hasta que quede fijado en su posición mediante el sonido de un clic.

Operaciones**¡ADVERTENCIA!**

- Nunca utilice el producto para limpiar las siguientes sustancias: gases, líquidos y polvos explosivos o inflamables (polvo reactivo), además de polvo metálico reactivo magnético, tóxico, inflamable o combustible (por ejemplo, aluminio). No utilice el producto para limpiar objetos punzantes, calientes o incandescentes a temperaturas superiores a 40 °C, como cigarrillos o cenizas calientes.
- No utilice este producto cerca de chimeneas o calefactores en funcionamiento. Si lo hace, podría provocar la deformación de la carcasa del producto.
- Desenchufe el cable de carga después de que el limpiador de suelos esté completamente cargado. No sobrecargue la batería. Si lo hace, podría causar sobrecalentamiento o deformación de la batería.



¡PRECAUCIÓN!

- Nunca utilice el producto sin el filtro o los depósitos de agua.
- Este producto es adecuado para suelos duros de ambientes interiores, incluidos suelos encerados, de piedra, de caucho, de mármol, de granito, de terrazo, de madera maciza, de composite, de bambú y todo tipo de azulejos de espejo, de porcelana, etc.
- Si el producto se utiliza sobre una superficie irregular, es posible que no se logre el mejor efecto de limpieza.
- Cuando el limpiador de suelos no se esté utilizando, colóquelo en posición vertical contra una esquina de la pared para evitar tropezarse y causar lesiones.


Cargar el limpiador de suelos

9

1. Coloque el limpiador de suelos en la base de carga.
2. Conecte el cable de carga a la base de carga y a la toma de corriente.



NOTA:

- Durante la carga, el icono de nivel de batería se encenderá progresivamente en el panel de visualización .
- Asegúrese de que el limpiador de suelos esté completamente cargado antes de usarlo.
- Coloque la base de carga en un lugar seco.

Uso del limpiador de suelos

Llene el depósito de agua limpia

Antes de usar el limpiador de suelos, llene el depósito de agua limpia con agua del grifo hasta la línea **MAX** marcada en el depósito. No permita que el agua supere la línea **MAX**.



NOTA: Puede llenar el depósito con agua tibia; sin embargo, no utilice agua con una temperatura superior a 60 grados.

10

- 1 Mientras presiona el botón de liberación del depósito de agua limpia hacia abajo, tire para retirar el depósito.
- 2 Abra la tapa y llene el depósito con agua del grifo. No permita que el agua supere la línea **MAX**.



NOTA: Puede llenar el depósito con agua tibia; sin embargo, no utilice agua con una temperatura superior a 60 grados.

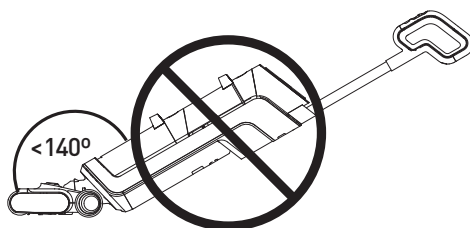
- 3 Cierre la tapa y asegúrese de que el depósito esté bien cerrado y sin fugas.
- 4 Coloque el depósito de agua limpia de nuevo en el cuerpo principal y luego empújelo hacia dentro hasta que encaje en su posición mediante el sonido de un clic.

Encender el limpiador de suelos

1. Presione el botón Encendido/Apagado (⏻) en el mango para encender el limpiador de suelos.
2. Inclíne el limpiador de suelos hacia atrás para comenzar a limpiar.

**NOTA:**

- Cuando esté en posición vertical, el limpiador de suelos se apagará incluso si presiona el botón de encendido/apagado.
- No incline el limpiador de suelos más de 140 grados. Si lo hace, podría provocar fugas de agua de los depósitos de agua.

Apagar el limpiador de suelos

- Presione el botón Encendido/Apagado (⏻) del mango.

Modos del interruptor

1. Mientras el limpiador de suelos se enciende y limpia el suelo, puede presionar (⏻) en el mango para cambiar al **modo de potencia** (⚡).



NOTA: El **modo estándar** (⏻) es el modo predeterminado.

2. Presione (⏻) en el mango para alternar el modo de limpieza entre el **modo estándar** (⏻) y el **modo de potencia** (⚡).



PRECAUCIÓN: No utilice el limpiador de suelos para limpiar superficies con espuma líquida. Se recomienda utilizar el **modo de potencia** para limpiar la suciedad y las manchas difíciles.



- El modo seleccionado actualmente se mostrará en el panel de visualización.

Limpiar el depósito de agua sucia

**NOTA:**

- Después de usar el limpiador de suelos, revise la boquilla de succión regularmente y limpie el depósito de agua sucia frecuentemente para mantener el túnel de aire desbloqueado y evitar obstrucciones que puedan causar una disminución de la aspiración y el sobrecalentamiento del motor, afectando así el rendimiento y la vida útil del producto.




- ① Mientras presiona el botón de liberación del depósito de agua sucia hacia abajo, tire para retirar el depósito.
- ② Sujete el depósito y retire el filtro HEPA y la tapa, y después extraiga el separador del depósito.
- ③ Vacíe el depósito y luego colóquelo de nuevo en el cuerpo principal. Empuje el depósito hasta que quede fijado en su posición mediante el sonido de un clic.

Autolimpieza

**NOTA:**

Le recomendamos que:

- Limpie el depósito de agua sucia antes y después de realizar la función de **autolimpieza**.
- Limpie la base de carga de inmediato si quedan restos de suciedad en la base de carga después de usar la función de **autolimpieza**.

1. Para realizar la autolimpieza del cepillo giratorio, vuelva a colocar el limpiador de suelos en la base de carga después de su uso.
2. Mientras el limpiador de suelos está en la base de carga, en posición vertical, presione el botón de **autolimpieza** en el mango para comenzar .
3. Después de realizar la autolimpieza, el limpiador de suelos entrará en el modo de carga.

Limpieza y mantenimiento



¡ADVERTENCIA!

- Para evitar el riesgo de electrocución, apague y desenchufe siempre el producto de la red eléctrica antes de limpiarlo.
- Nunca sumerja el cuerpo principal ni el cable de alimentación en agua ni en ningún otro líquido. No los enjuague nunca bajo el grifo.
- Utilice un detergente líquido neutro para suelos (se vende por separado) según las instrucciones. No se deben utilizar ácidos, alcalinos acuosos u otras sustancias nocivas para el medio ambiente. (Por ejemplo: llenar el depósito de agua limpia con agua del grifo y añadir de 10 a 15 ml de detergente líquido neutro para suelos).
- El detergente líquido debe mantenerse fuera del alcance de los niños. Si el detergente líquido entra accidentalmente en los ojos, enjuáguelos bien con abundante agua limpia y busque atención médica inmediatamente en caso de ingestión accidental.
- Siga las normas locales de protección ambiental al eliminar aguas residuales y detergentes líquidos.



NOTA:


- Nunca utilice disolventes, productos de limpieza químicos o abrasivos, cepillos de alambre, objetos afilados ni estropajos para limpiar el producto.

Para lograr su mejor rendimiento, le recomendamos que realice un mantenimiento regular del producto.

Limpiar el cuerpo principal

- 12 ① Asegúrese de que el limpiador de suelos esté apagado antes de limpiarlo.
- ② Limpie el cuerpo principal con un paño suave. Se puede humedecer ligeramente con agua limpia o detergente neutro. Tenga cuidado de no mojar los componentes internos.

Limpiar y vaciar el depósito de agua sucia

- 13 Cuando el depósito de agua sucia esté lleno, el limpiador de suelos se apagará automáticamente. El icono de estado del **depósito de agua sucia lleno**  aparecerá en el panel de visualización.
 - ① Mientras presiona el botón de liberación del depósito de agua sucia, extraiga el depósito.
 - ② Retire el filtro HEPA, la tapa y el separador del depósito.
 - ③ Vacíe el depósito y limpie los residuos de la pared interior del depósito con el cepillo de limpieza suministrado. Luego, enjuague el depósito hasta dejarlo limpio.
 - ④ Si encuentra una obstrucción en el depósito de agua sucia, enjuague la tapa, el flotador y el separador con agua del grifo.

Limpie el filtro HEPA

- 14 Le recomendamos que limpie el filtro HEPA después de cada uso.
 - ① Retire el filtro HEPA del depósito de agua sucia.
 - ② Limpie el filtro con agua corriente del grifo.
 - ③ Después de la limpieza, deje que el filtro se seque al aire.

Vuelva a colocar el depósito de agua sucia

- 15 Después de la limpieza, deje que se seque el depósito, el filtro HEPA, la tapa y el separador.
 - ① Vuelva a colocar el separador, la tapa y el filtro HEPA en el depósito de agua sucia.
 - ② Vuelva a insertar el depósito de agua sucia en el cuerpo principal. Empuje el depósito hasta que quede fijado en su posición mediante el sonido de un clic.

Limpiar el cepillo giratorio



Consejos:

- Si quedan manchas residuales en la boquilla de succión, límpiela con un paño húmedo. No enjuagar con agua.
- Le recomendamos que limpie y seque el cepillo giratorio después de cada uso.

- 1 Presione el botón de liberación del cepillo giratorio del lado izquierdo.
- 2 Tire del cepillo giratorio hacia arriba en el extremo izquierdo y después tire de él hacia fuera para quitarlo.
- 3 Utilice el extremo en forma de gancho del cepillo de limpieza suministrado para eliminar los pelos enredados o los residuos del cepillo giratorio.
- 4 Después, enjuague el cepillo giratorio con agua del grifo.
- 5 Limpie las manchas de la entrada de la boquilla de succión con un paño húmedo.
- 6 Vuelva a colocar el cepillo giratorio en el limpiador de suelos.

Solución de problemas

Utilice esta guía de solución de problemas para resolver los problemas comunes que puede experimentar con el producto. Si el problema persiste, no utilice el producto y póngase en contacto con un centro de reparación autorizado para que lo examinen y, si es necesario, lo reparen.

Problema	Causa posible	Solución
El icono de nivel de batería parpadea	<ul style="list-style-type: none"> • Motor anormal 	<ul style="list-style-type: none"> • Limpie la obstrucción en el tubo y reinicie el aparato.
El aparato no funciona	<ul style="list-style-type: none"> • Sin energía o batería baja • El cepillo giratorio está enredado con objetos como pelos. 	<ul style="list-style-type: none"> • Recargue completamente el aparato antes de usarlo. • Limpie el cepillo giratorio.

Problema	Causa posible	Solución
Potencia de aspiración débil	<ul style="list-style-type: none"> • El agua sucia ha alcanzado su capacidad designada • Es posible que el cepillo giratorio o el depósito de agua sucia se hayan colocado incorrectamente • El cepillo giratorio está enredado con objetos como pelos. • La boquilla de succión está bloqueada. • La malla del filtro HEPA sobre el flotador está sucia • Batería baja 	<ul style="list-style-type: none"> • Retire el depósito de agua sucia y vacíe el agua. • Vuelva a colocar correctamente el cepillo giratorio o el depósito de agua sucia. • Limpie el cepillo giratorio. • Limpie la boquilla de succión. • Limpie el filtro HEPA • Recargue completamente el aparato antes de usarlo.
El motor emite un sonido anormal durante su funcionamiento	<ul style="list-style-type: none"> • La boquilla de succión está bloqueada. • El agua sucia ha alcanzado su capacidad designada • La malla del filtro HEPA sobre el flotador está sucia 	<ul style="list-style-type: none"> • Limpie la boquilla de succión. • Retire el depósito de agua sucia y vacíe el agua. • Limpie el filtro HEPA
No se puede cobrar	<ul style="list-style-type: none"> • El aparato y la ranura de carga no están conectados correctamente 	<ul style="list-style-type: none"> • Compruebe y conecte correctamente el aparato a la base de carga.
No se pulveriza agua desde el cepillo giratorio	<ul style="list-style-type: none"> • El depósito de agua limpia está vacío • El depósito de agua limpia no está correctamente colocado 	<ul style="list-style-type: none"> • Llene el depósito de agua limpia. • Vuelva a colocar correctamente el depósito de agua limpia.

Problema	Causa posible	Solución
Hay una fuga de agua por la salida de aire.	<ul style="list-style-type: none">• Falta filtro HEPA• No hay indicador de flotador• El filtro HEPA no está lo suficientemente seco después del lavado• El agua sucia ha alcanzado su capacidad designada	<ul style="list-style-type: none">• Vuelva a colocar el filtro HEPA en el depósito de agua sucia.• Vuelva a colocar el indicador de flotador.• Deje que el filtro HEPA se seque completamente al aire antes de volver a colocarlo en el depósito de agua sucia.• Retire el depósito de agua sucia y vacíe el agua.

Almacenamiento

- Desenchufe siempre el producto antes de guardarlo.
- Guarde el producto en un lugar fresco, seco y libre de polvo, y fuera del alcance de los niños y los animales de compañía.
- Conserve el embalaje y utilícelo para guardar su producto cuando no lo utilice durante un período prolongado de tiempo.

