

**WARRANTY CONDITION**

**EN** This product has a 2-year warranty as of the date of purchase\*, covering any fault resulting from a manufacturing or material defect. This warranty does not cover defects or damage resulting from incorrect installation, improper use or abnormal wear of the appliance.

\*upon presentation of the sales receipt.

**CONDITION DE GARANTIE**

**FR** Ce produit est garanti pour une période de 2 ans à partir de la date d'achat\*, contre toute défaillance résultant d'un vice de fabrication ou de matériau. Cette garantie ne couvre pas les vices ou les dommages résultant d'une mauvaise installation, d'une utilisation incorrecte ou de l'usure anormale du produit.

\*sur présentation du ticket de caisse.

**GARANTIEVOORWAARDEN**

**NL** Dit product wordt gegarandeerd voor een periode van 2 jaar vanaf de aankoopdatum\*, voor elke storing die het gevolg is van een fabricagefout of het materiaal. Gebreken of schade door slechte installatie, onjuist gebruik of abnormale slijtage van het product worden niet gedekt door deze garantie.

\*op vertoon van kassabon.

**CONDICIONES DE GARANTÍA**

**ES** El certificado de garantía de este producto tiene una duración de 3 años a partir de la fecha de compra\* que se limita a los defectos de fabricación y averías del material. Se excluyen de la garantía deficiencias o daños originados por una mala instalación, errores en la manipulación o por un uso inadecuado.

\*previa presentación del comprobante de compra.

Fridge - freezer  
Réfrigérateur-congélateur  
Koelkast - diepvriezer  
Frigorífico - congelador

987392 - CNF 338 C W625C

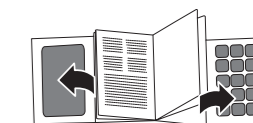
INSTRUCTIONS FOR USE	.....02
CONSIGNES D'UTILISATION	.....22
GEBRUIKSAANWIJZINGEN	.....44
INSTRUCCIONES DE USO	.....66

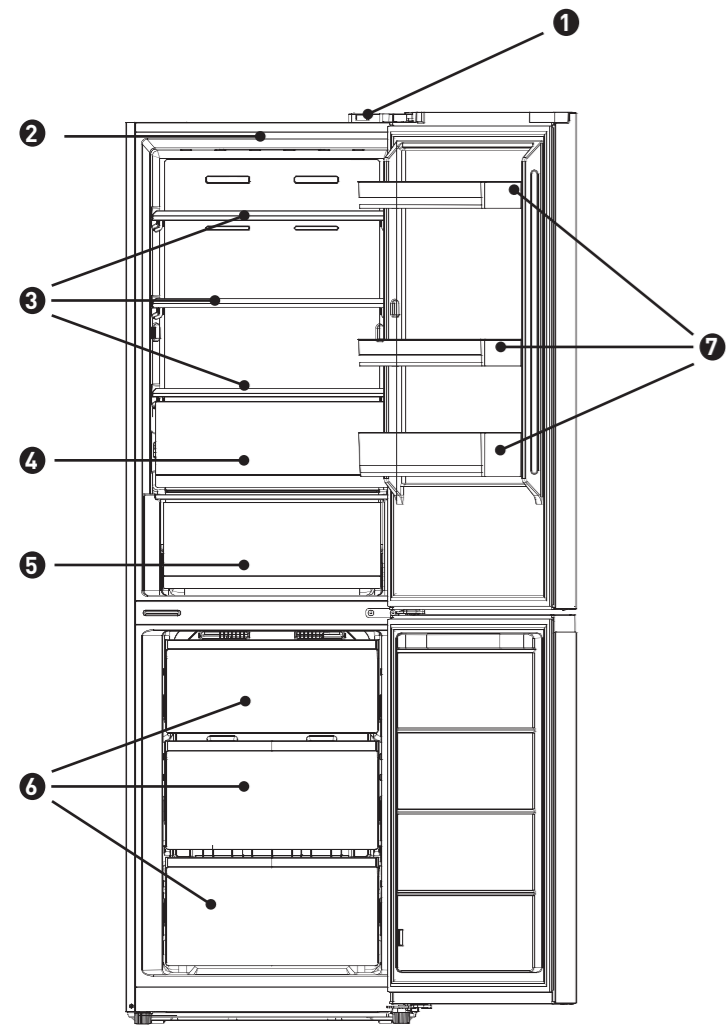
MADE IN PRC

ELECTRO DEPOT  
1 route de Vendeville  
59155 FACHES-THUMESNIL  
FRANCE



**VALBERG**





# Thanks!

Thank you for choosing this VALBERG product. Chosen, tested and recommended by ELECTRO DEPOT, the products of the VALBERG brand are easy to use, reliable and of an impeccable standard. Thanks to this appliance, you can be sure that each use will bring you satisfaction.

Welcome to ELECTRO DEPOT.

Visit our website: [www.electrodepot.fr](http://www.electrodepot.fr)



**A**

**Preview of the  
appliance**

Description of the appliance

---

**B**

**Using the appliance**

Proper use of refrigerators  
Structure and functions

---

**C**

**Useful information**

Cleaning and maintenance  
Troubleshooting

## Description of the appliance

- 1 Door switch
- 2 LED light
- 3 Shelf
- 4 Fruit and vegetables box
- 5 Meat and fish box
- 6 Drawer
- 7 Door tray

The picture is only for reference. The actual configuration will depend on the physical product or statement by the distributor.

### Refrigerating chamber

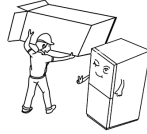
- The Refrigerating Chamber is suitable for storage of a variety of fruits, vegetables, beverages and other food consumed in the short term, suggested storage time 3 days to 5 days.
- Cooking foods shall not be put in the refrigerating chamber until cooled to room temperature.
- Foods are recommended to be sealed up before putting into the refrigerator.
- The glass shelves can be adjusted up or down for a reasonable amount of storage space and easy use.

### Freezing chamber

- The low temperature freezing chamber may keep food fresh for a long time and it is mainly used to store frozen foods and making ice.
- The freezing chamber is suitable for storage of meat, fish, rice balls and other foods not to be consumed in short term.
- Chunks of meat are preferably to be divided into small pieces for quick freezing and easy access. Please be noted food shall be consumed within the shelf time.
- Drawers, food boxes, shelves, etc. placed according to the position in the picture are the most energy efficient.

## Proper use of refrigerators

### Placement

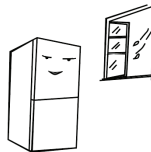


Before use, remove all packing materials, including bottom cushions, foam pads and tapes inside of the refrigerator; tear off the protective film on the doors and the refrigerator body.

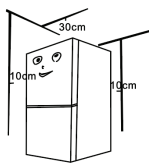


Keep away from heat and avoid direct sunlight. Do not place the freezer in moist or watery places to prevent rust or reduction of insulating effect.

Do not spray or wash the refrigerator; do not put the refrigerator in moist places easy to be splashed with water so as not to affect the electrical insulation properties of the refrigerator.

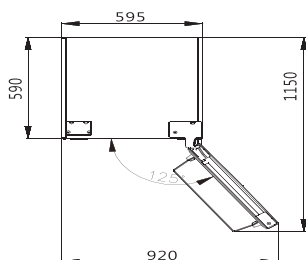


The refrigerator is placed in a well-ventilated indoor place; the ground shall be flat, and sturdy (rotate left or right to adjust the wheel for levelling if unstable).



This refrigerator needs to be installed independently and cannot be used as a built-in. Otherwise, it will cause problems such as failure to install into the cabinet, the performance and life of the product are reduced. And the manufacturer does not provide basic product warranty.

The top space of the refrigerator shall be greater than 30cm, and the refrigerator should be placed against a wall with a free distance more than 10cm to facilitate heat dissipation.



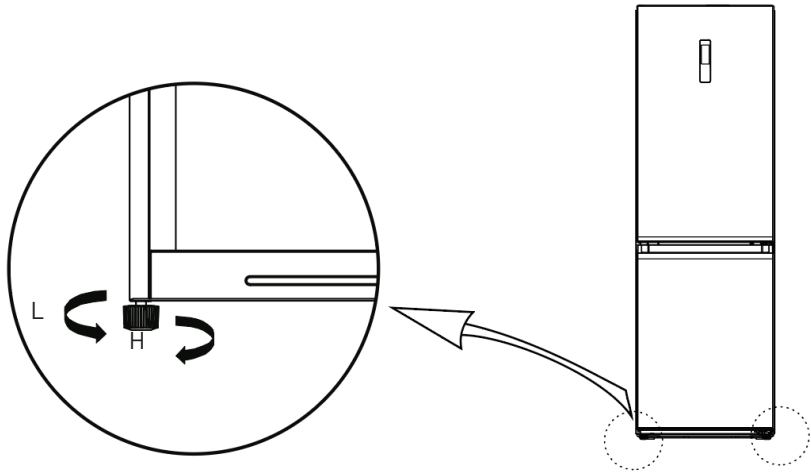
Spare enough space for convenient opening of the doors and drawers.

### PRECAUTION!

Before installation or adjusting of accessories, it shall be ensured that the refrigerator is disconnected from power. Precautions shall be taken to prevent fall of the handle from causing any personal injury.

### Levelling feet

Schematic diagram of the leveling feet

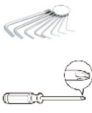
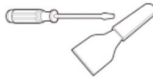


The picture above is only for reference. The actual configuration will depend on the physical product or statement by the distributor.

Adjusting procedures:

- Turn the feet clockwise to raise the refrigerator;
- Turn the feet counterclockwise to lower the refrigerator;
- Adjust the right and left feet based on the procedures above to a horizontal level.

### Door Right-Left Change

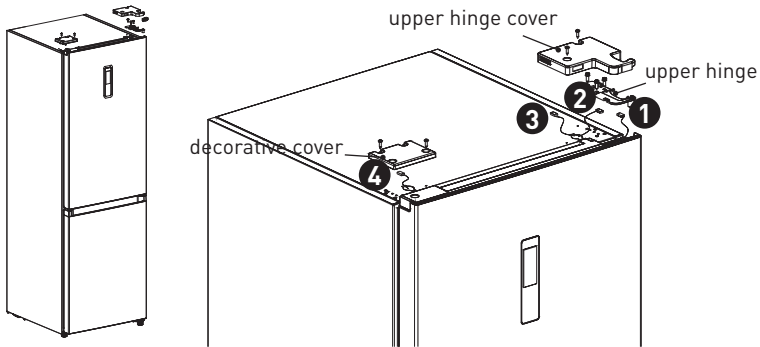
List of tools to be provided by the user			
	Cross screwdriver		Putty knife thin-blade screwdriver



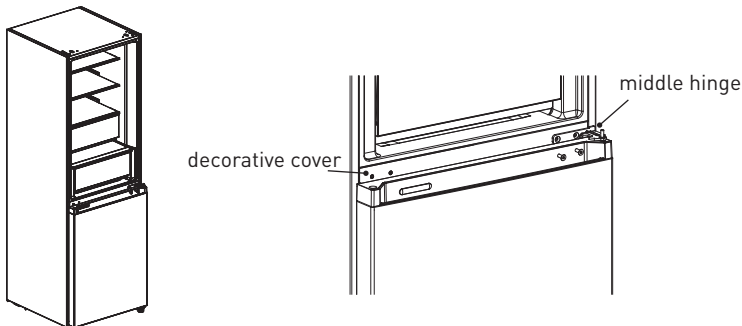
## List of tools to be provided by the user

	5/16'' socket and ratchet		Masking tape
--	------------------------------	---	--------------

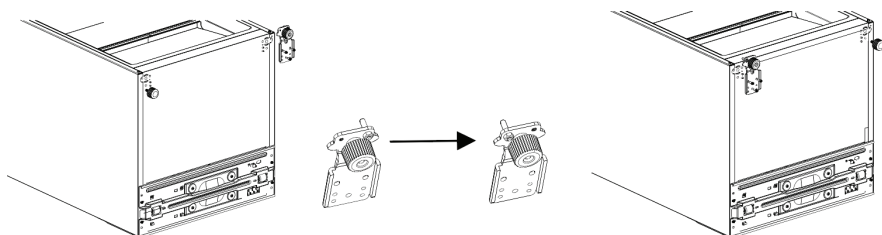
- Please power off this appliance before conducting the operation. Remove all food from the door shelves.
- Remove the upper left hinge cover decorative cover, upper right hinge cover and upper right hinge, and disconnect the right signal line (signal line terminal **1**, **2**) at the top of the box body.



- Remove the refrigerated door body (be careful not to lose small parts such as the shaft sleeve and stop on the door);
- Remove the middle hinge and remove the decorative cover of hinge hole on the other side.



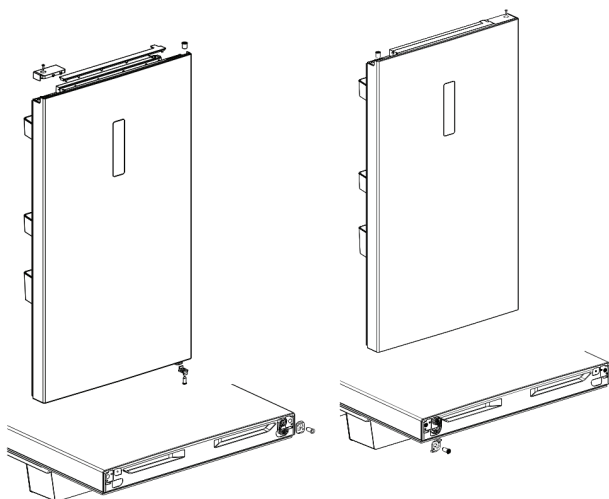
- Remove the freezing door body (be careful not to lose small parts such as the shaft sleeve and stop on the door);
- Remove the hinge and adjust the angle. Remove and install the lower hinge shaft to the other side of the hinge, and install the modified lower hinge to the other side of the box.



- Change the refrigerator door:

1) Remove the cover plate of the upper end cover of the refrigeration door and the left decorative cover. Install the upper shaft sleeve and the signal line of the door body to the other side and cover the upper end cover plate. Take out the right decorative cover from the accessory bag and install it to the other side of the upper end cover.

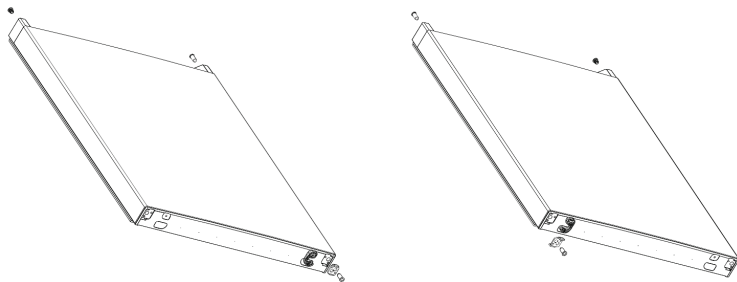
2) Remove the door self-locking, door stop and shaft sleeve of the refrigeration door, take out the left door self-locking from the accessory bag, install it on the left side of the lower end cover of the refrigeration door, change the door stop and shaft sleeve to the left side of the lower end cover of the refrigeration door.



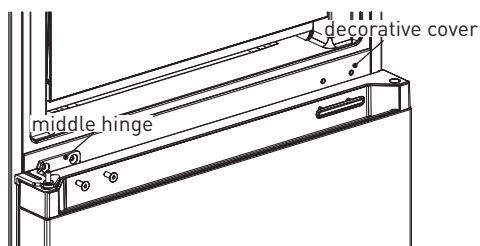
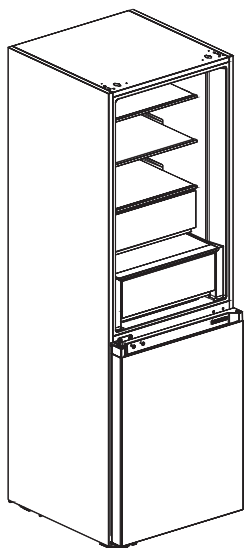
- Change the freezing door:

1) Remove the shaft sleeve and cap of the upper end cover of the freezing door and install them at the left and right swap positions.

2) Remove the door self-locking, door stop and shaft sleeve of the freezing door, take out the left door self-locking from the accessory bag, install it on the left side of the lower end cover of the freezing door, change the door stop and shaft sleeve to the left side of the lower end cover of the freezing door.

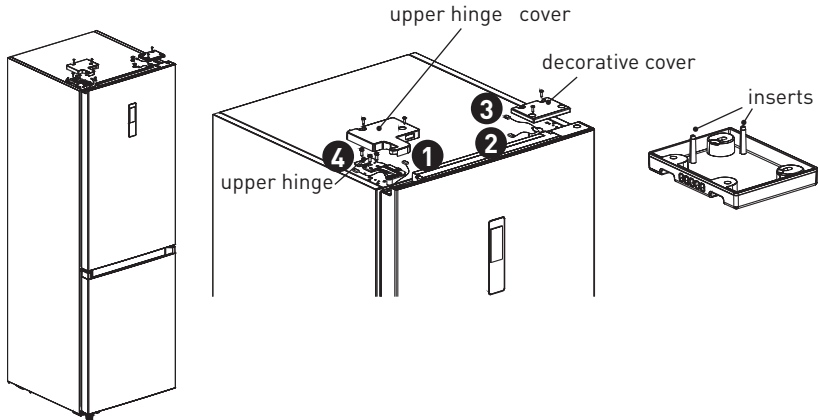


- Install the replaced freezing door on the lower hinge, then install the middle hinge and cover the hinge hole decorative cover.



- Remove the upper left hinge cover and upper left hinge from the accessory bag. Place the refrigerated door body on the middle hinge and install the upper left hinge. Connect the refrigerator top signal line ④ to the door body signal line ①, and connect the signal line ② to the signal line ③. Finally, replace the hinge decorative cover to the right side of the box body.

Note: The two terminals ② and ③ must be connected, otherwise the display control screen on the door will not display due to the circuit out of power.

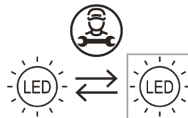


### NOTE:

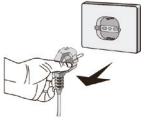
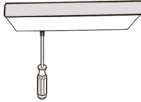

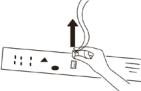
When replacing the hinge decorative cover to the right side of the box body, the two inserts on the hinge decorative cover (as shown in the figure) shall be cut off.

The picture above is only for reference. The actual configuration will depend on the physical product or statement by the distributor.

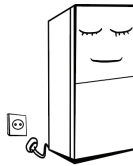
### Changing the Light



- This product contains a light source of energy efficiency class G.
- Light source in this product can only be replaced by qualified professionals.
- Please contact after-sales service if the light source fails.
- The light source shall be removed at the end of the product's useful life, with sorting and recycling done separately.

	<p>1. Please take out the plug before removal.</p>		<p>2. Remove the lampshade with a screwdriver.</p>
	<p>3. Take down the lamp panel.</p>		<p>4. Remove the connection terminal.</p>

### Starting



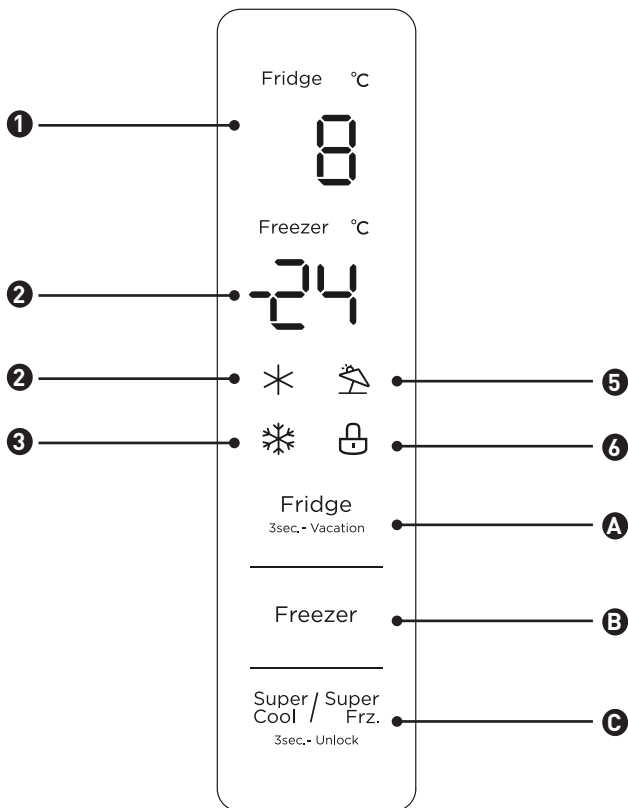
- After transportation, please let the product stay for more than 2 hours before turning on the power, otherwise it will lead to a decrease in cooling capacity or a damage to the product.
- Before putting any fresh or frozen foods, the refrigerator shall have run for 2-3 hours, or for above 4 hours in summer when the ambient temperature is high.
- Please pull out the plug in case of power failure or cleaning. Do not connect the freezer to power supply within five minutes to prevent damages to the compressor due to successive starts.

### Energy saving tips

- The appliance should be located in the coolest area of the room, away from heat producing appliances or heating ducts, and out of the direct sunlight.
- Let hot foods cool to room temperature before placing in the appliance. Overloading the appliance forces the compressor to run longer. Foods that freeze too slowly may lose quality, or spoil.
- Be sure to wrap foods properly, and wipe containers dry before placing them in the appliance. This cuts down on frost build-up inside the appliance.
- Appliance storage bin should not be lined with aluminum foil, wax paper, or paper toweling.
- Liners interfere with cold air circulation, making the appliance less efficient.
- Organize and label food to reduce door openings and extended searches. Remove as many items as needed at one time, and close the door as soon as possible

## Structure and functions

### Functions




### Display screen

- 1** Refrigerating chamber temperature display area
- 2** Freezing chamber temperature display area
- 3** Quick cool icon
- 4** Quick freeze icon
- 5** Vacation icon
- 6** Lock icon

### Operation button

- A** Temperature setting button of refrigerating chamber
- B** Temperature setting button of freezing chamber
- C** Supercool/Super freezing button


### Display

- When power is on the refrigerator for the first time, the whole display panel will shine for 3 seconds. Then the display panel enters the normal display. The first time for using the refrigerator, the default set temperatures of refrigerating chamber, freezing chamber is 5°C/-18°C respectively.
- When the error occurs, the display panel shows the error code; during normal running, the display panel shows the set temperature of refrigerating chamber, freezing chamber.
- Under normal running, if there is no operation or opening door action within 30 seconds, the display panel will be locked, the light of display will go out after the locked state  continued for 30 seconds.

### Lock/Unlock

- In the non-locking state, press and hold the super-cool /super-freezer button for 3 seconds to enter the locked state and the lock buzzer will sound.
- In the locked state, press and hold the super-cool /super-freezer button for 3 seconds to enter the unlocked state and the unlocking buzzer will sound.
- After 30 seconds of no button operation, it will automatically enter the locked state, and the external display board with a music buzzer will sound the lock buzzer at the same time.
- The alarm sound release operation can be carried out in the locked state, and all other key operations must be carried out in the unlocked state.
- If the operation is in the locked state, an error buzzer will be displayed.

### Temperature setting of refrigerating chamber

- Click the button  to change the set temperature of refrigerating chamber, each click of temperature adjusting button of the refrigerating chamber, the set temperature will be reduced 1°C. The temperature setting range of refrigerating chamber is 2-8°C. When

the set temperature is 2°C, click the button again, the set temperature of refrigerating chamber will switch to 8°C.

### Temperature setting of freezing chamber

- Click the button **Freezer** to change the set temperature of freezing chamber, each click of temperature adjusting button of the freezing chamber, the set temperature will be reduced 1 °C. The temperature setting range for freezing chamber is -24~ -16°C. When the temperature is -24 °C, click the button again, the set temperature of freezing chamber will switch to -16 °C.

Thermostat setting for ambient T°C : NORMAL ≈ +24°C (± 4°C)	3°C/-19°C
Thermostat setting for ambient T°C : COLD ≈ +16°C (± 4°C)	3°C/-19°C
Thermostat setting for ambient T°C : HOT ≈ +32°C (± 4°C)	2°C/-18°C

### Mode setting

- Long press the refrigeration temperature adjustment button (3s) to set/cancel the holiday mode
- When setting the holiday mode, the refrigeration is turned off, the refrigeration temperature display area is extinguished, and the freezing is automatically set to -18°C;
- Adjusting the refrigeration/freezing/super cool and super freezer buttons will exit the holiday mode.
- When exiting the holiday mode, the refrigeration set temperature will automatically return to the set temperature before the holiday mode; the freezing set temperature will automatically return to the set temperature before the holiday mode; enter the normal operation mode.

### Super freeze mode

- Super cool and super freezer mode, press the super cool/super freezer button, the setting sequence is: **super cool -> super freezer -> cancel**
- When setting/cancelling the super cool mode, the corresponding super cool icon is on/off; when setting the super cool mode, the refrigeration is automatically set to 2°C;
- When exiting the super-cool mode, the set temperature of the refrigerating room will automatically return to the set temperature before the quick-cooling mode;
- When the super-freezer mode is set, the corresponding super-freezer icon is lit; when



the super-freezer mode is set, the freezing is automatically set to  $-24^{\circ}\text{C}$ ;

- When exiting the super-freezer mode, the set temperature of the freezer compartment will automatically return to the set temperature before the super-freezer mode;
- Super cool mode automatically disabled for 6H.
- Super freezer mode automatically disabled for 24H.

## NOTE

The super-freezer function is designed to maintain the nutritional value of the food in the freezer. It can freeze the food in the shortest time. If a large amount of food is frozen at one time, it is recommended that the user turn on the quick-freezing function and put the food in. At this time, the freezing speed of the freezer compartment is increased, which can quickly freeze the food, effectively lock the nutrition of the food, and facilitate storage.

- Press the  $\text{Fridge}_{3\text{sec.} \cdot \text{Vacation}}$  + Freezer button at the same time for 3 seconds to turn off the door opening sound .
- If the refrigerator door is open for 120 seconds without closing, the buzzer will alarm until the refrigerator door is closed; any key will cancel the buzzer alarm.

### Fault indication

- The following warnings appearing on the display indicate corresponding faults of the refrigerator. Though the refrigerator may still have cold storage function with the following faults, the user shall contact a maintenance specialist for maintenance, so as to ensure optimized operation of the appliance.

Fault Code	Fault Description
E1	Temperature sensor failure of refrigerating chamber
E2	Temperature sensor failure of freezing chamber
E3	Temperature sensor failure of meat&fish zone
E5	Freezing defrost sensor detection circuit error
E6	Communication error
E7	Ambient temperature sensor error

## Cleaning and maintenance

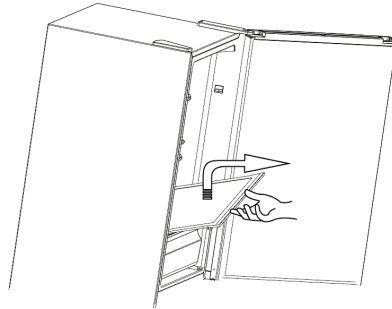
### Overall cleaning

- Dusts behind the refrigerator and on the ground shall be timely cleaned to improve the cooling effect and energy saving.
- Check the door gasket regularly to make sure there are no debris. Clean the door gasket with a soft cloth dampened with soapy water or diluted detergent.
- The interior of the refrigerator should be cleaned regularly to avoid odor.
- Please turn off the power before cleaning interior, remove all foods, drinks, shelves, drawers, etc. Use a soft cloth or sponge to clean the inside of the refrigerator, with two tablespoons of baking soda and a quart of warm water. Then rinse with water and wipe clean. After cleaning, open the door and let it dry naturally before turning on the power.
- For areas that are difficult to clean in the refrigerator (such as narrow sandwiches, gaps or corners), it is recommended to wipe them regularly with a soft rag, soft brush, etc. and when necessary, combined with some auxiliary tools (such as thin sticks) to ensure no contaminants or bacterials accumulation in these areas.
- Do not use soap, detergent, scrub powder, spray cleaner, etc., as these may cause odors in the interior of the refrigerator or contaminated food.
- Clean the bottle frame, shelves and drawers with a soft cloth dampened with soapy water or diluted detergent. Dry with a soft cloth or dry naturally.
- Wipe the outer surface of the refrigerator with a soft cloth dampened with soapy water, detergent, etc., and then wipe dry.
- Do not use hard brushes, clean steel balls, wire brushes, abrasives (such as toothpastes), organic solvents (such as alcohol, acetone, banana oil, etc.), boiling water, acid or alkaline items, which may damage the fridge surface and interior. Boiling water and organic solvents such as benzene may deform or damage plastic parts. Do not rinse directly with water or other liquids during cleaning to avoid short circuits or affect electrical insulation after immersion.

### WARNING

Please unplug the refrigerator for defrost and cleaning.

### Cleaning the glass shelf



- Remove the drawer on the glass shelf.
- Lift up the front of glass shelf about 60° and then pull out.
- Remove glass shelf and clean as needed.
- The reverse operation is for installation of glass shelf.

### Defrosting

- The refrigerator is made based on the air-cooling system and this has automatic defrosting function. Frost formed due to change of season or temperature may also be manually removed by disconnecting the appliance from power supply or by wiping with a dry towel.

### Out of operation

- Power failure: In case of power failure, even if it is in summer, foods inside the appliance can be kept for several hours; during the power failure, the times of door opening shall be reduced, and no more fresh food shall be put into the appliance.
- Long-time nonuse: The appliance shall be unplugged and then cleaned; then the doors are left open to prevent odor.
- Moving: Before the refrigerator is moved, take all objects inside out, fix the glass partitions, vegetable holder, freezing chamber drawers and etc. with tape, and tighten the leveling feet; close the doors and fix them with tape. During moving, the appliance shall not be laid upside down or horizontally, or be vibrated; the inclination during movement shall be no more than 45°.
- The appliance shall run continuously once it is started. Generally, the operation of the appliance shall not be interrupted; otherwise the service life may be impaired.

## Troubleshooting

You may try to solve the following simple problems by yourself. If them cannot be solved, please contact the after-sales department.

<b>Failed operation</b>	<ul style="list-style-type: none"> <li>• Check whether the appliance is connected to power or whether the plug is in well contact</li> <li>• Check whether the voltage is too low</li> <li>• Check whether tripped there is a power failure or partial circuits have tripped</li> </ul>
<b>Odor</b>	<ul style="list-style-type: none"> <li>• Odorous foods shall be tightly wrapped</li> <li>• Check whether there is any rotten food</li> <li>• Clean the inside of the refrigerator</li> </ul>
<b>Long-time operation of the compressor</b>	<ul style="list-style-type: none"> <li>• Long operation of the refrigerator is normal in summer when the ambient temperature is high</li> <li>• It is not suggestible having too much food in the appliance at the same time</li> <li>• Food shall get cool before being put into the appliance</li> <li>• The doors are opened too frequently</li> </ul>
<b>Light fails to get lit</b>	<ul style="list-style-type: none"> <li>• Check whether the refrigerator is connected to power supply and whether the illuminating light is damaged</li> <li>• Have the light replaced by a specialist</li> </ul>
<b>Doors cannot be properly closed</b>	<ul style="list-style-type: none"> <li>• The door is stuck by food packages</li> <li>• Too much food is placed</li> <li>• The refrigerator is tilted</li> </ul>
<b>Loud noise</b>	<ul style="list-style-type: none"> <li>• Check whether the floor is level and whether the refrigerator is placed stably</li> <li>• Check whether accessories are placed at proper locations</li> </ul>
<b>Door seal fails to be tight</b>	<ul style="list-style-type: none"> <li>• Remove foreign matters on the door seal</li> <li>• Heat the door seal and then cool it for restoration (or blow it with an electrical drier or use a hot towel for heating)</li> </ul>
<b>Water pan overflows</b>	<ul style="list-style-type: none"> <li>• There is too much food in the chamber or food stored contains too much water, resulting in heavy defrosting</li> <li>• The doors are not closed properly, resulting in frosting due to entry of air and increased water due to defrosting</li> </ul>

**Hot housing**

Heat dissipation of the built-in condenser via the housing, which is normal. When housing becomes hot due to high ambient temperature, storage of too much food or shutdown of the compressor is shut down, provide sound ventilation to facilitate heat dissipation.

**Surface condensation**

Condensation on the exterior surface and door seals of the refrigerator is normal when the ambient humidity is too high. Just wipe the condensate

**Abnormal noise**

- Buzz: The compressor may produce buzzes during operation, and the buzzes are loud particularly upon start or stop. This is normal.
- Creak: Refrigerant flowing inside of the appliance may produce creak, which is normal.

Climate classes

Class	Symbol	Ambient temperature range
Extended temperate	SN	+ 10 to + 32
Temperate	N	+ 16 to + 32
Subtropical	ST	+ 16 to + 38
Tropical	T	+ 16 to + 43

- Extended temperate: 'this refrigerating appliance is intended to be used at ambient temperatures ranging from 10 °C to 32 °C'; temperate: 'this refrigerating appliance is intended to be used at ambient temperatures ranging from 16 °C to 32 °C';
- Subtropical: 'this refrigerating appliance is intended to be used at ambient temperatures ranging from 16 °C to 38 °C';
- Tropical: 'this refrigerating appliance is intended to be used at ambient temperatures ranging from 16 °C to 43 °C';



# Merci !

Nous vous remercions d'avoir choisi ce produit VALBERG.

Choisis, testés et recommandés par ELECTRO DEPOT, les produits de la marque VALBERG sont simples d'utilisation, tout en offrant des performances fiables et une qualité irréprochable.

Grâce à cet appareil, vous êtes assuré(e) que chaque utilisation vous apportera satisfaction.

Bienvenue chez ELECTRO DEPOT.

Consultez notre site web : [www.electrodepot.fr](http://www.electrodepot.fr)  
[www.emectrodepot.be](http://www.emectrodepot.be)

**A**

**Aperçu de l'appareil**

Description de l'appareil

**B**

**Utilisation de  
l'appareil**

Utilisation correcte du réfrigérateur  
Structure et fonctions

**C**

**Informations utiles**

Nettoyage et entretien  
Dépannage



## Description de l'appareil

- ❶ Interrupteur de porte
- ❷ Éclairage LED
- ❸ Clayette
- ❹ Bac à fruits et légumes
- ❺ Tiroir à viande et poisson
- ❻ Tiroir
- ❼ Balconnet de porte

### Compartiment de réfrigération

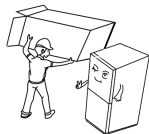
- Le compartiment de réfrigération convient à la conservation d'une variété de fruits, de légumes, de boissons et d'autres aliments consommés à court terme ; la durée de conservation suggérée étant de 3 à 5 jours.
- Les aliments cuits ne doivent pas être placés dans le compartiment de réfrigération tant qu'ils n'ont pas refroidi et atteint la température ambiante.
- Il est recommandé d'emballer les aliments de manière hermétique avant de les ranger dans le réfrigérateur.
- Les clayettes en verre peuvent être déplacées vers le haut ou le bas pour faciliter l'utilisation de l'appareil et disposer d'un espace de rangement suffisant.

### Compartiment de congélation

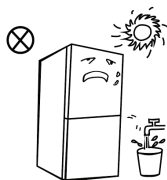
- Le compartiment de congélation à basse température permet de garder les aliments frais pendant longtemps. Il est principalement utilisé pour conserver des produits surgelés et pour fabriquer des glaçons.
- Le compartiment de congélation convient pour la conservation de viande, de poisson, de boulettes de riz et d'autres aliments qui ne vont pas être consommés à court terme.
- Il est préférable de découper la viande en petits morceaux pour accélérer la congélation et pouvoir les utiliser plus facilement. Veuillez noter que les aliments doivent être consommés avant la fin de leur durée limite de conservation.
- Le positionnement des tiroirs, bacs, clayettes, etc. indiqué sur le schéma est le plus économe en énergie.

## Utilisation correcte du réfrigérateur

### Installation

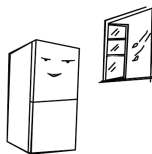


Avant d'utiliser l'appareil, retirez tous les matériaux d'emballage, y compris le rembourrage du fond, les blocs de mousse et les adhésifs situés à l'intérieur ; ôtez le film de protection des portes et du corps du réfrigérateur.

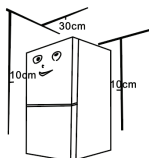


Conservez l'appareil à l'abri de la chaleur et de la lumière directe du soleil. Ne le placez pas dans un endroit humide ou à proximité d'un point d'eau pour éviter la formation de rouille ou la diminution de l'effet isolant.

Vous ne devez pas pulvériser ou laver le réfrigérateur. Ne le placez pas dans des endroits humides où il pourrait facilement recevoir des éclaboussures d'eau, pour ne pas nuire aux propriétés d'isolation électrique de l'appareil.

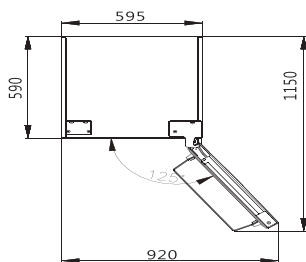


Le réfrigérateur doit être positionné dans un endroit bien ventilé, situé à l'intérieur. La surface sur laquelle il est posé doit être plane et solide (s'il n'est pas stable, tournez les pieds de réglage vers la gauche ou la droite pour le mettre à niveau).



Ce réfrigérateur doit être installé indépendamment et ne peut pas être utilisé comme élément d'une cuisine intégrée. Cela risquerait de provoquer des problèmes comme une impossibilité de l'installer dans le placard, et la réduction de la durée de vie et des performances du produit. De plus, dans un tel cas, le fabricant n'assurera pas la garantie de base du produit.

Il convient de prévoir un espace de plus de 30 cm au-dessus du réfrigérateur. L'appareil doit être placé contre un mur, en laissant un espace libre de plus de 10 cm, afin de faciliter la dissipation de la chaleur.



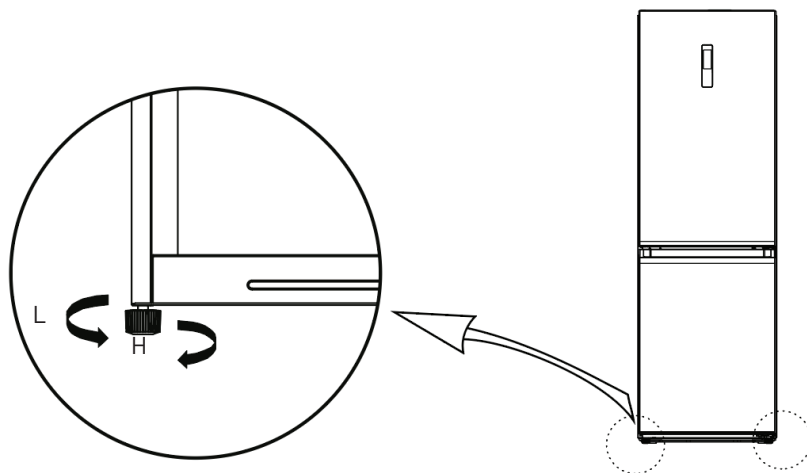
Laissez suffisamment de place pour pouvoir facilement ouvrir les portes et les tiroirs.

### ATTENTION !

Avant d'installer ou de régler les accessoires, assurez-vous d'avoir débranché l'appareil de l'alimentation secteur. Vous devez prendre des précautions pour éviter de faire tomber la poignée et de causer des blessures.

### Pieds de mise à niveau

Schéma des pieds de réglage


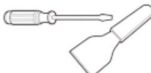


Le schéma ci-dessus est fourni à titre indicatif uniquement. La configuration réelle dépend du produit concerné ou des indications fournies par le distributeur.



Procédure de réglage :

- Tournez les pieds dans le sens des aiguilles d'une montre pour rehausser l'appareil.
- Tournez les pieds dans le sens inverse des aiguilles d'une montre pour abaisser l'appareil.
- Réglez le pied droit et le pied gauche en suivant la procédure ci-dessus, jusqu'à ce que l'appareil soit de niveau.

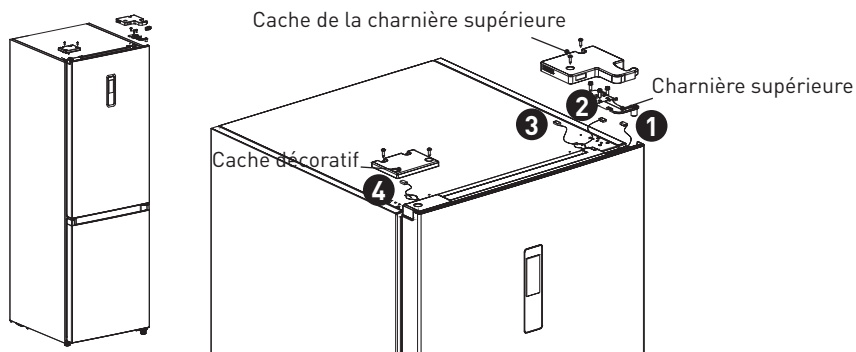
### Changement du sens d'ouverture de la porte

Liste des outils à fournir par l'utilisateur			
	Tournevis cruciforme		Couteau à mastic et tournevis à lame plate

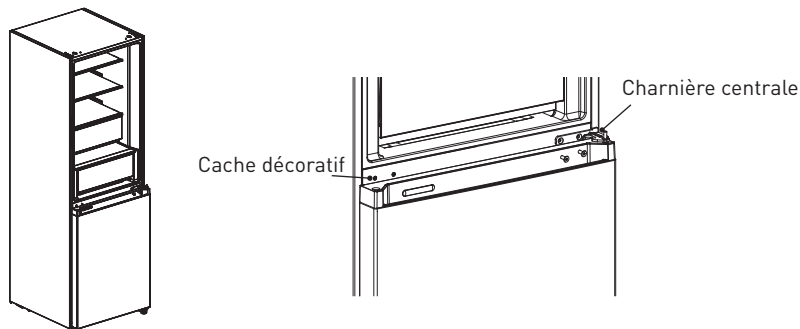
## Liste des outils à fournir par l'utilisateur

	Douille et cliquet de 5/16"		Ruban de masquage
--	--------------------------------	---	-------------------

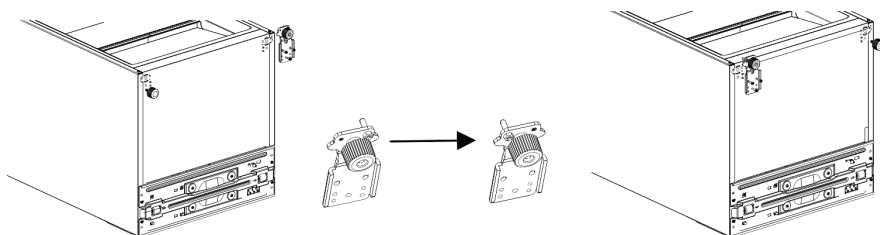
- Veuillez éteindre cet appareil avant d'effectuer cette opération. Retirez tous les aliments des balconnets de porte.
- Retirez le cache de la charnière supérieure gauche, le cache décoratif, le cache de la charnière supérieure droite et la charnière supérieure droite, puis débranchez le câble de signal droit (bornes du câble de signal **1** et **2**) sur le dessus du corps de l'appareil.



- Retirez la porte du compartiment de réfrigération (veillez à ne pas perdre de petites pièces, comme le manchon ou la butée de porte).
- Ôtez la charnière centrale et retirez le cache décoratif du trou de la charnière situé de l'autre côté.



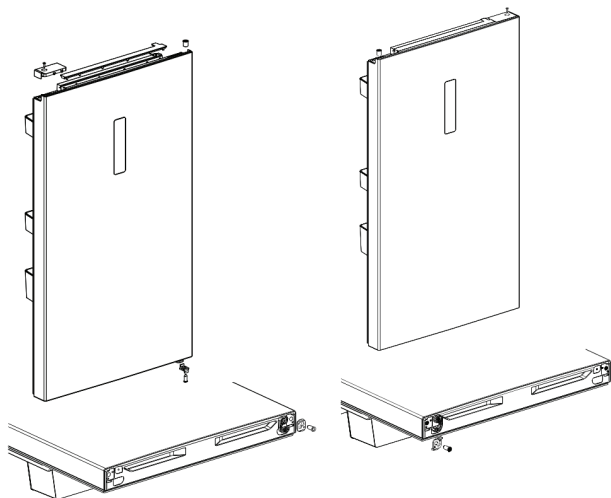
- Enlevez la porte du compartiment de congélation (veillez à ne pas perdre de petites pièces, comme le manchon ou la butée de porte).
- Enlevez la charnière et réglez l'angle. Retirez l'axe de la charnière inférieure et installez-le de l'autre côté de la charnière, puis installez la charnière inférieure modifiée de l'autre côté du corps de l'appareil.



- Changement de la porte du compartiment de réfrigération :

1) Retirez la plaque de recouvrement du capot supérieur de la porte du compartiment de réfrigération, ainsi que le cache décoratif gauche. Installez le manchon supérieur et le câble de signal du corps de la porte de l'autre côté et placez la plaque de recouvrement du capot supérieur. Sortez le cache décoratif droit du sachet d'accessoires et installez-le de l'autre côté du capot supérieur.

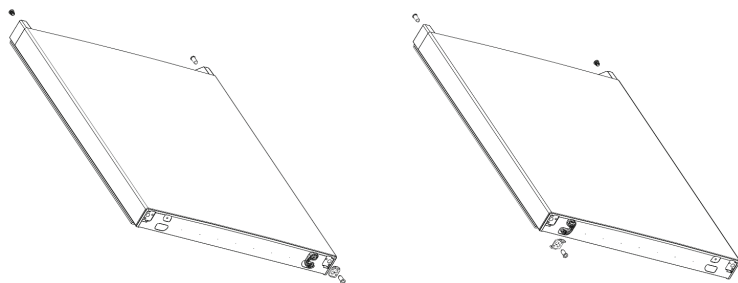
2) Retirez le mécanisme de verrouillage automatique de la porte, la butée de porte et le manchon de la porte du compartiment de réfrigération. Sortez le mécanisme de verrouillage automatique gauche de la porte du sachet d'accessoires et installez-le sur le côté gauche du capot inférieur de la porte du compartiment de réfrigération. Déplacez la butée de porte et le manchon sur le côté gauche du capot inférieur de la porte du compartiment de réfrigération.



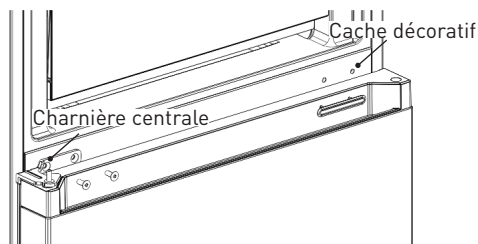
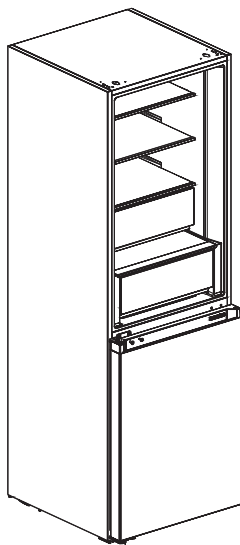
- Changement de la porte du compartiment de congélation :

1) Retirez le manchon et le cache du capot supérieur de la porte du compartiment de congélation et installez-les en inversant les positions entre la gauche et la droite.

2) Retirez le mécanisme de verrouillage automatique de la porte, la butée de porte et le manchon de la porte du compartiment de congélation. Sortez le mécanisme de verrouillage automatique gauche de la porte du sachet d'accessoires et installez-le sur le côté gauche du capot inférieur de la porte du compartiment de congélation. Déplacez la butée de porte et le manchon sur le côté gauche du capot inférieur de la porte du compartiment de congélation.



- Placez la porte du compartiment de congélation sur la charnière inférieure, puis installez la charnière centrale et recouvrez le trou de la charnière avec le cache décoratif.



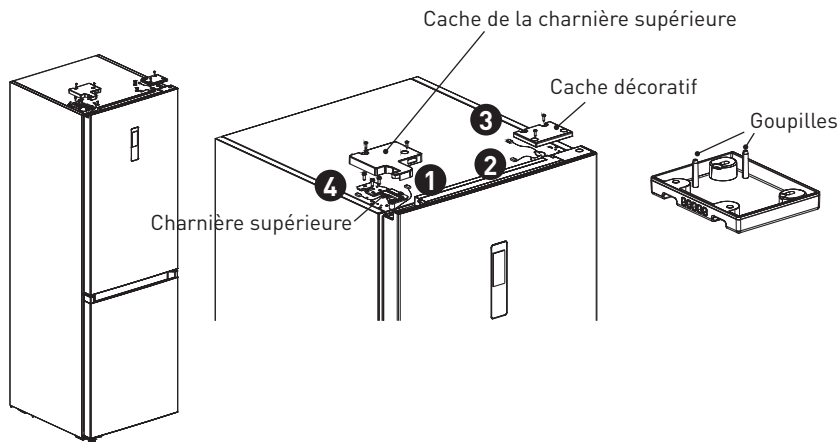
- Retirez le cache de la charnière supérieure gauche et la charnière supérieure gauche du sachet d'accessoires. Placez la porte du compartiment de réfrigération sur la charnière centrale et installez la charnière supérieure gauche. Branchez le câble de signal supérieur du réfrigérateur **4** sur le câble de signal de la porte **1**, et branchez le câble de signal **2** sur le câble de signal **3**. Enfin, remplacez le cache décoratif de la charnière sur le côté droit du corps de l'appareil.

Remarque : Les deux bornes **2** et **3** doivent être connectées, sinon l'écran de contrôle de l'affichage sur la porte ne s'affichera pas en raison du circuit hors tension.

### REMARQUE :

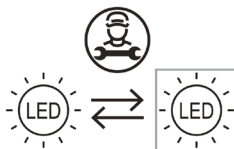
Lorsque vous remplacez le cache décoratif de la charnière sur le côté droit du corps de l'appareil, les deux goupilles sur le cache décoratif de la charnière (voir la figure) doivent être coupées.





Le schéma ci-dessus est fourni à titre indicatif uniquement. La configuration réelle dépend du produit concerné ou des indications fournies par le distributeur.

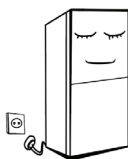
### Remplacement de l'éclairage



- Ce produit contient une source lumineuse de classe d'efficacité énergétique G.
- La lampe de ce produit peut uniquement être remplacée par un professionnel qualifié.
- Veuillez contacter le service après-vente si la lampe ne fonctionne plus.
- La lampe peut être enlevée à la fin de la vie utile du produit, et triée et recyclée séparément.

	<p>1. Veuillez débrancher la prise avant le retrait.</p>		<p>2. Retirez le cache de la lampe à l'aide d'un tournevis.</p>
	<p>3. Abaissez le panneau de la lampe.</p>		<p>4. Retirez le terminal de connexion.</p>

## Démarrage



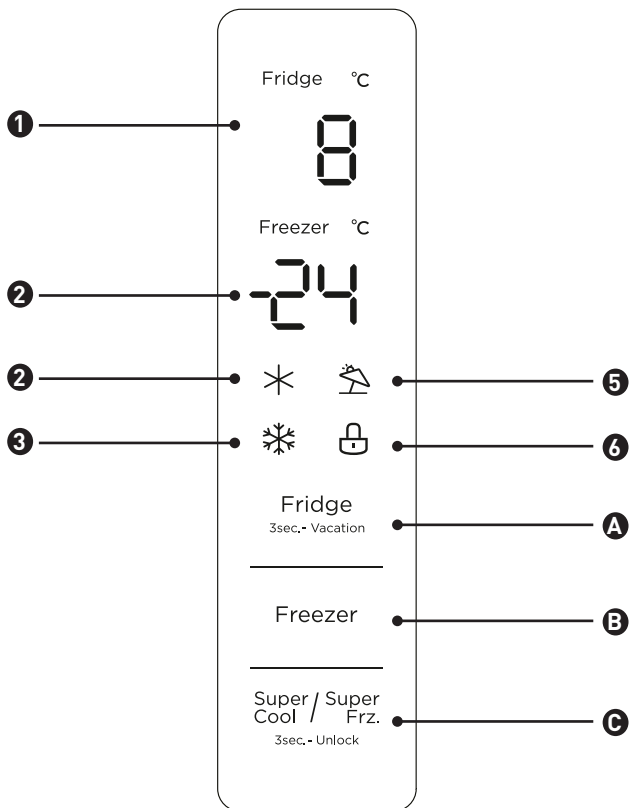
- Après le transport, veuillez attendre au moins 2 heures avant de mettre l'appareil sous tension, sinon vous risquez de diminuer la capacité de refroidissement ou d'endommager le produit.
- Avant de ranger des aliments frais ou surgelés dans l'appareil, vous devez le laisser fonctionner pendant 2 à 3 heures, ou plus de 4 heures en été, lorsque la température ambiante est élevée.
- Débranchez l'appareil en cas de coupure de courant ou lors du nettoyage. Attendez 5 minutes avant de brancher le congélateur à l'alimentation électrique pour éviter que les démarrages successifs n'endommagent le compresseur.

## Conseils d'économie d'énergie

- L'appareil doit être placé dans la zone la plus fraîche de la pièce, à l'abri de la lumière directe du soleil, et ne doit pas se trouver à proximité d'appareils produisant de la chaleur ou de conduits de chauffage.
- Laissez les aliments chauds refroidir à température ambiante avant de les ranger dans l'appareil. Si vous surchargez l'appareil, le compresseur devra fonctionner plus longtemps. Si les aliments sont congelés trop lentement, cela peut nuire à leur qualité ou ils risquent de pourrir.
- Assurez-vous d'emballer les aliments correctement, et essayez les récipients de manière à ce qu'ils soient parfaitement secs avant de les placer dans l'appareil. Ceci permet de limiter la formation de givre à l'intérieur de l'appareil.
- Les bacs de rangement de l'appareil ne doivent pas être recouverts de papier aluminium, de papier sulfurisé, ni d'essuie-tout.
- De tels revêtements entravent la circulation de l'air froid, ce qui diminue l'efficacité de l'appareil.
- Organisez et étiquetez les aliments, afin de limiter les ouvertures de porte et les recherches prolongées. Essayez de sortir en une seule fois les aliments dont vous avez besoin et refermez la porte dès que possible.

## Structure et fonctions

### Fonctions




### Écran d'affichage

- 1** Zone d'affichage de la température du compartiment de réfrigération
- 2** Zone d'affichage de la température du compartiment de congélation
- 3** Icône Super refroidissement
- 4** Icône Super congélation
- 5** Icône Vacances
- 6** Icône Verrouillage

### Bouton de fonctionnement

- A** Bouton de réglage de la température du compartiment de réfrigération
- B** Bouton de réglage de la température du compartiment de congélation
- C** Bouton Super refroidissement/Super congélation

### Affichage

- Lorsque vous allumerez le réfrigérateur pour la première fois, toutes les icônes de l'écran s'allumeront pendant 3 secondes. L'écran passera ensuite en affichage normal. Lors de la première utilisation du réfrigérateur, la température par défaut des compartiments de réfrigération et de congélation est réglée respectivement sur 5 °C et -18 °C.
- En cas d'erreur, l'écran affiche un code d'erreur ; en fonctionnement normal, l'écran affiche la température réglée pour le compartiment de réfrigération et le compartiment de congélation.
- Dans les conditions normales de fonctionnement, si vous n'appuyez sur aucun bouton et si la porte n'est pas ouverte pendant un délai de 30 secondes, l'écran se verrouillera, puis s'éteindra au bout de 30 secondes supplémentaires en mode verrouillé 

### Verrouillage/déverrouillage

- En mode déverrouillé, appuyez sur le bouton Super refroidissement/Super congélation en le maintenant enfoncé pendant 3 secondes pour passer en mode verrouillé. Le signal sonore du verrouillage retentira alors.
- En mode verrouillé, appuyez sur le bouton Super refroidissement/Super congélation en le maintenant enfoncé pendant 3 secondes pour passer en mode déverrouillé. Le signal sonore du déverrouillage retentira alors.
- Au bout de 30 secondes sans qu'aucun bouton ne soit actionné, l'appareil passera automatiquement en mode verrouillé et l'écran d'affichage émettra alors le signal sonore du verrouillage.
- Le signal sonore peut être arrêté en mode verrouillé, mais toutes les autres opérations doivent être effectuées en mode déverrouillé.
- Si vous actionnez un bouton en mode verrouillé, un signal d'erreur retentira.

### Réglage de la température du compartiment de réfrigération

- Appuyez sur le bouton Fridge  
3sec - Vacation pour modifier la température réglée dans le compartiment de réfrigération. Chaque fois que vous appuyez sur le bouton de réglage de la température du compartiment de réfrigération, la température sera abaissée d'1 °C. La plage de réglage de la température pour le compartiment de réfrigération est de 2 à 8 °C. Lorsque la température est réglée sur 2 °C, si vous appuyez une nouvelle fois sur le bouton, la température du compartiment de réfrigération passera à 8 °C.

### Réglage de la température du compartiment de congélation

- Appuyez sur le bouton Freezer pour modifier la température réglée dans le compartiment de congélation. Chaque fois que vous appuyez sur le bouton de réglage de la température du compartiment de congélation, la température sera abaissée d'1 °C. La plage de réglage de la température pour le compartiment de congélation est de -24 °C à -16 °C. Lorsque la température est réglée sur -24 °C, si vous appuyez une nouvelle fois sur le bouton, la température du compartiment de congélation passera à -16 °C.

- 

Réglage du thermostat pour T°C ambiante : NORMALE ≈ +24°C (± 4°C)	3°C/-19°C
Réglage du thermostat pour T°C ambiante : FROIDE ≈ +16°C (± 4°C)	3°C/-19°C
Réglage du thermostat pour T°C ambiante : CHAUDE ≈ +32°C (± 4°C)	2°C/-18°C

### Réglage des modes

- Appuyez longuement (3 secondes) sur le bouton de réglage de la température du compartiment de réfrigération pour activer/désactiver le mode Vacances.
- Lorsque le mode Vacances est activé, le compartiment de réfrigération est arrêté et la zone d'affichage de la température du compartiment de réfrigération s'éteint, tandis que le compartiment de congélation est automatiquement réglé sur -18 °C.
- Si vous appuyez sur les boutons du Compartiment de réfrigération, du Compartiment de congélation ou Super refroidissement/Super congélation, le mode Vacances sera désactivé.
- Une fois que le mode Vacances est désactivé, la température réglée dans le compartiment de réfrigération revient automatiquement à la température réglée avant l'activation de ce mode ; la température réglée dans le compartiment de congélation revient également automatiquement à celle qui était réglée avant l'activation du mode Vacances. L'appareil reprend alors son fonctionnement normal.

### Mode Super congélation

- Pour activer les modes Super refroidissement et Super congélation, appuyez sur le bouton Super refroidissement/Super congélation. Le réglage se fait dans l'ordre suivant : **Super refroidissement -> Super congélation -> Désactivation**
- Lorsque le mode Super refroidissement est activé/désactivé, l'icône Super refroidissement est respectivement allumée/éteinte ; en mode Super refroidissement, le compartiment de réfrigération est automatiquement réglé sur 2 °C.
- Lorsque vous désactivez le mode Super refroidissement, la température réglée dans le compartiment de réfrigération revient automatiquement à celle qui était réglée avant l'activation de ce mode.
- Lorsque le mode Super congélation est activé, l'icône Super congélation est allumée ; en mode Super congélation, le compartiment de congélation est automatiquement réglé sur -24 °C.
- Lorsque vous désactivez le mode Super congélation, la température réglée dans le compartiment de congélation revient automatiquement à celle qui était réglée avant l'activation de ce mode.
- Le mode Super refroidissement est automatiquement désactivé pendant 6 h.
- Le mode Super congélation est automatiquement désactivé pendant 24 h.

### REMARQUE

La fonction Super congélation est conçue pour conserver la valeur nutritionnelle des aliments placés au congélateur. Elle permet de congeler les aliments le plus rapidement possible. Si une grande quantité de nourriture est congelée en même temps, il est recommandé d'activer la fonction congélation rapide et de mettre la nourriture dans le congélateur. À ce moment, la vitesse de congélation du compartiment congélateur augmente, ce qui lui permet de congeler rapidement les aliments, de conserver leur valeur nutritionnelle et de faciliter le stockage.

- Appuyez simultanément sur le bouton  + Freezer pendant 3 secondes pour activer ou désactiver le son d'ouverture de la porte.

- Si la porte du réfrigérateur reste ouverte pendant 120 secondes d'affilée, un signal sonore retentira jusqu'à ce que la porte soit fermée. Appuyez sur n'importe quel bouton pour arrêter le signal sonore.

#### Indications des pannes

- Les avertissements suivants apparaîtront sur l'écran pour signaler les pannes correspondantes de l'appareil. Même s'il est possible que l'appareil puisse continuer à assurer un entreposage frigorifique malgré les pannes suivantes, l'utilisateur doit contacter un réparateur spécialisé afin de garantir le fonctionnement optimal de l'appareil.

Code d'erreur	Description de l'erreur
E1	Défaillance du capteur de température du compartiment de réfrigération
E2	Défaillance du capteur de température du compartiment de congélation
E3	Défaillance du capteur de température du tiroir à viande et poisson
E5	Défaillance du circuit de détection du capteur de dégivrage
E6	Erreur de communication
E7	Erreur de capteur de température ambiante

## Nettoyage et entretien

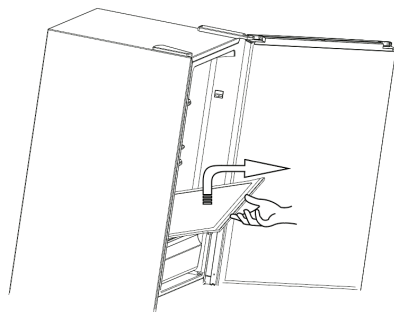
### Nettoyage général

- La poussière à l'arrière du réfrigérateur et au sol doit être nettoyée périodiquement pour améliorer les propriétés de refroidissement de l'appareil et économiser de l'énergie.
- Vérifiez régulièrement le joint de la porte pour vous assurer qu'il ne comporte pas de résidus. Nettoyez le joint de la porte à l'aide d'un chiffon doux humidifié d'eau savonneuse ou de solution détergente diluée.
- L'intérieur du réfrigérateur doit également être nettoyé régulièrement afin d'éviter toute formation d'odeurs.
- Avant de nettoyer l'intérieur de l'appareil, veuillez couper l'alimentation et retirer l'ensemble des aliments, boissons, clayettes et bacs qui s'y trouvent. Pour nettoyer l'intérieur du réfrigérateur, utilisez un chiffon doux ou une éponge imbibé(e) d'une solution contenant deux cuillères à soupe de bicarbonate de soude et un litre d'eau chaude. Rincez ensuite à l'eau claire et essuyez. Une fois le nettoyage effectué, ouvrez la porte et laissez sécher l'intérieur à l'air libre avant de remettre l'appareil sous tension.
- Pour les parties intérieures difficiles à nettoyer (comme les rainures, les espaces étroits ou les coins), il est recommandé de les essuyer régulièrement à l'aide d'un chiffon doux ou d'une brosse douce etc., et si nécessaire, d'utiliser des outils auxiliaires (par exemples des baguettes fines), afin d'éviter que des contaminants ou bactéries ne s'y accumulent.
- N'utilisez pas de savon, de détergent, de poudre à récurer, de spray nettoyant, etc., car ces derniers pourraient générer des odeurs à l'intérieur du réfrigérateur ou contaminer la nourriture.
- Nettoyez le balconnet à bouteilles, les clayettes et les bacs à l'aide d'un chiffon doux humidifié avec de l'eau savonneuse ou du détergent dilué. Séchez-les à l'aide d'un chiffon doux ou à l'air libre.
- Essuyez la surface extérieure du réfrigérateur à l'aide d'un chiffon doux humidifié avec de l'eau savonneuse ou du détergent, par exemple, puis séchez-la.
- N'utilisez pas de brosses dures, de tampons à récurer métalliques, de brosses métalliques, de produits abrasifs (comme du dentifrice), de solvants organiques (comme de l'alcool, de l'acétone, de l'acétate d'amyle, etc.), d'eau bouillante, de substances acides ou alcalines : ils risqueraient d'endommager la surface et l'intérieur de l'appareil. L'eau bouillante et les solvants organiques, comme le benzène, risquent de déformer ou d'endommager les pièces en plastique. Ne rincez pas l'appareil directement avec de l'eau ou d'autres liquides lors du nettoyage, afin d'éviter tout court-circuit ou d'affecter l'isolation électrique en cas d'immersion.



**AVERTISSEMENT**

Débranchez l'appareil avant de le dégivrer ou de le nettoyer.

**Nettoyage des clayettes en verre**

- Retirez le tiroir se trouvant sur la clayette en verre.
- Soulevez l'avant de la clayette en verre d'environ 60 °, puis sortez-la.
- Retirez la clayette en verre et nettoyez-la selon les besoins.
- Procédez dans l'ordre inverse pour réinstaller la clayette en verre.

**Dégivrage**

- Ce réfrigérateur s'appuie sur un système de refroidissement par circulation d'air et dispose d'une fonction de dégivrage automatique. Le givre qui se forme en raison des changements de saison ou de température peut également être retiré manuellement, en débranchant l'appareil de l'alimentation électrique ou en l'essuyant avec un chiffon sec.

**Mise hors service**

- Panne de courant : dans un tel cas, même en été, les aliments à l'intérieur de l'appareil peuvent se conserver pendant plusieurs heures. Pendant la panne de courant, limitez le nombre d'ouvertures de la porte et ne rajoutez plus d'aliments frais dans l'appareil.
- Inutilisation prolongée : l'appareil doit être débranché, puis nettoyé. Les portes doivent ensuite être laissées ouvertes pour éviter la formation d'odeurs.
- Déplacement : avant de déplacer l'appareil, videz-le de son contenu, fixez avec de l'adhésif

les clayettes en verre, le tiroir à légumes, les tiroirs du compartiment de congélation, etc., et resserrez les pieds de réglage. Fermez les portes et fixez-les avec de l'adhésif. Lors du déplacement, l'appareil ne doit pas être posé à l'envers, placé en position horizontale, ni soumis à des vibrations. Pendant une telle opération, son inclinaison ne doit pas dépasser 45 °.

- Une fois le démarrage effectué, l'appareil fonctionnera en continu. En règle générale, le fonctionnement de l'appareil ne doit pas être interrompu, sinon sa durée de vie risque d'être réduite.

## Dépannage

Vous pouvez essayer de régler par vous-même les problèmes simples suivants. Si vous n'y parvenez pas, veuillez contacter le service après-vente.

### L'appareil ne fonctionne pas

- Vérifiez s'il est branché à l'alimentation électrique et si la fiche est bien insérée dans la prise.
- Vérifiez si la tension est trop faible.
- Vérifiez si vous subissez une coupure de courant ou si des circuits partiels ont disjoncté.

### Odeurs

- Les aliments dégageant une odeur forte doivent être bien enveloppés.
- Vérifiez si des aliments ont pourri.
- Nettoyez l'intérieur de l'appareil.

### Fonctionnement prolongé du compresseur

- Le fonctionnement prolongé de l'appareil est normal en été, quand la température ambiante est élevée.
- Il n'est pas recommandé de conserver une trop grande quantité de nourriture dans l'appareil en même temps.
- Les aliments doivent refroidir avant d'être placés dans l'appareil.
- Les portes sont ouvertes trop fréquemment.

### La lumière ne s'allume pas

- Vérifiez que l'appareil est branché à l'alimentation électrique et que l'éclairage n'est pas endommagé.
- Faites remplacer l'ampoule par un spécialiste.

### Les portes ne ferment pas correctement

- La porte est bloquée par les emballages des aliments.
- L'appareil contient une quantité trop importante d'aliments.
- L'appareil est incliné.

### Bruits forts

- Vérifiez si le sol est plat et si l'appareil est positionné de manière stable.
- Vérifiez si les accessoires sont placés au bon endroit.

### Les joints de la porte ne sont pas hermétiques.

- Retirez les éventuels corps étrangers présents sur les joints de la porte.
- Chauffez le joint de la porte, puis laissez-le refroidir et se remettre en place (vous pouvez utiliser un sèche-cheveux électrique ou une serviette chaude pour le chauffer)

**Débordement du bac de récupération d'eau**

- Une quantité trop importante de nourriture est rangée dans l'appareil ou les aliments stockés contiennent trop d'eau, ce qui a entraîné un dégivrage important.
- Les portes ne sont pas fermées correctement, conduisant à la formation de givre, en raison de l'entrée d'air et de la présence d'une plus grande quantité d'eau liée au dégivrage.

**La structure de l'appareil est chaude**

La chaleur du condenseur intégré se dissipe via la structure, ce qui est normal. Quand la structure devient chaude en raison d'une température ambiante élevée, du stockage d'une trop grande quantité de nourriture ou de l'arrêt du compresseur, assurez une bonne ventilation pour faciliter la dissipation de la chaleur.

**Condensation de surface**

La condensation sur la surface externe et les joints de porte du réfrigérateur est normale lorsque l'humidité ambiante est trop élevée. Il suffit d'essuyer la condensation.

**Bruits anormaux**

- Bourdonnement : il est possible que le compresseur bourdonne pendant son fonctionnement, et ces bruits sont particulièrement forts lors du démarrage ou de l'arrêt. Ceci est normal.
- Craquements : le fluide frigorigène circulant à l'intérieur de l'appareil peut émettre des craquements, ce qui est normal.

Classes climatiques

Classe	Symbole	Plage de température ambiante
Tempérée élargie	SN	+ 10 à + 32
Tempérée	N	+ 16 à + 32
Subtropicale	ST	+ 16 à + 38
Tropicale	T	+ 16 à + 43

- Classe tempérée élargie : cet appareil de réfrigération est conçu pour être utilisé à des températures ambiantes allant de 10 à 32 °C. Classe tempérée : cet appareil de réfrigération est conçu pour être utilisé à des températures ambiantes allant de 16 à 32 °C.
- Classe subtropicale : cet appareil de réfrigération est conçu pour être utilisé à des températures ambiantes allant de 16 à 38 °C.
- Classe tropicale : cet appareil de réfrigération est conçu pour être utilisé à des températures ambiantes allant de 16 à 43 °C.

# Bedankt!

Bedankt om dit VALBERG-product te kiezen.  
ELECTRO DEPOT kiest, test, en beveelt de producten  
van het merk VALBERG aan.

Ze zijn eenvoudig te gebruiken, betrouwbaar en van  
onberispelijke kwaliteit.

Dankzij dit toestel kunt u er zeker van zijn dat u bij  
elk gebruik volledig tevreden bent.

Welkom bij ELECTRO DEPOT.

Bezoek onze website: [www.electrodepot.fr](http://www.electrodepot.fr)  
[www.electrodepot.be](http://www.electrodepot.be)



**ELECTRO DEPOT**

**A**

**Voorbeeldweergave  
van het toestel**

Beschrijving van het toestel

**B**

**Het toestel gebruiken**

Juist gebruik van koelkasten  
Structuur en functies

**C**

**Nuttige informatie**

Reiniging en onderhoud  
Probleemoplossing

## Beschrijving van het toestel

- 1 Deurschakelaar
- 2 Ledlampje
- 3 Legplank
- 4 Fruit- en groentelade
- 5 Vlees- en vislade
- 6 Lade
- 7 Deurrekje

### Koelruimte

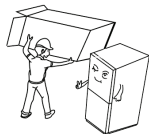
- De koelruimte is geschikt voor het opslaan van een verscheidenheid aan fruit, groenten, dranken en andere voeding die op korte termijn wordt geconsumeerd. De gesuggereerde bewaartermijn bedraagt 3 tot 5 dagen.
- Gekookte voeding mag niet in de koelruimte worden geplaatst tot ze afgekoeld is tot kamertemperatuur.
- Het is aanbevolen om voeding in een afgesloten container te doen alvorens ze in de koelkast te plaatsen.
- De glazen legplanken kunnen hoger of lager geplaatst worden om een redelijke opslagruimte te bekomen die gemakkelijk kan worden gebruikt.

### Diepvriesruimte

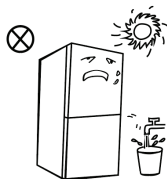
- Door de lage temperatuur in de diepvriesruimte kan voeding langer vers worden gehouden. Ze wordt vooral gebruikt voor het bewaren van diepgevroren voeding en voor het maken van ijs.
- De diepvriesruimte is geschikt voor het bewaren van vlees, vis, rijstballetjes en andere voeding die niet op korte termijn wordt geconsumeerd.
- Grote stukken vlees worden bij voorkeur in kleinere stukken verdeeld zodat ze snel invriezen en gemakkelijk toegankelijk zijn. Gelieve er rekening mee te houden dat voeding geconsumeerd moet worden binnen de bewaartermijn.
- Lades, voedseldozen, legplanken enz. die worden geplaatst zoals aangegeven op de afbeelding hierboven zijn het meest energie-efficiënt.

## Juist gebruik van koelkasten

### Installatie

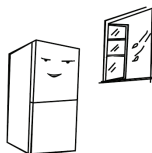


Alvorens de koelkast te gebruiken, verwijder alle verpakkingsmaterialen, inclusief bodemkussens, piepschuim en kleefband binnenin de koelkast; verwijder de beschermende folie van de deuren en van de behuizing van de koelkast.



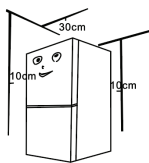
Houd uit de buurt van warmte en vermijd rechtstreeks zonlicht. Installeer de diepvriezer niet in vochtige ruimten om roestvorming te voorkomen of de isolerende werking van het toestel te verminderen.

Besproei of was de koelkast niet; plaats de koelkast niet in vochtige ruimten waar ze gemakkelijk bespat kan worden met water om de elektrische isolatie-eigenschappen van de koelkast niet te beïnvloeden.



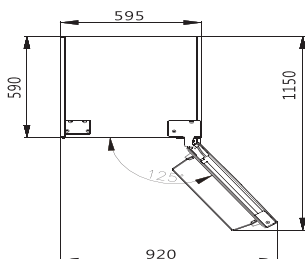
De koelkast moet in een goed geventileerde ruimte binnenshuis worden geïnstalleerd; de vloer moet vlak en stevig zijn (draai de wieltjes naar links of naar rechts om het toestel waterpas te zetten wanneer het onstabiel is).





De koelkast moet afzonderlijk geïnstalleerd worden en kan niet ingebouwd worden. Dit veroorzaakt anders problemen. Het toestel kan bijvoorbeeld niet in de kast geplaatst worden of de prestaties verminderen en de levensduur wordt verkort. De fabrikant geeft geen basisgarantie op het product in zo'n geval.

De ruimte boven de koelkast moet groter zijn dan 30 cm en de koelkast moet tegen een muur worden geplaatst met een vrije afstand van meer dan 10 cm zodat warmte gemakkelijker kan worden afgevoerd.



Laat voldoende ruimte vrij zodat de deuren en de laden gemakkelijk kunnen worden geopend.

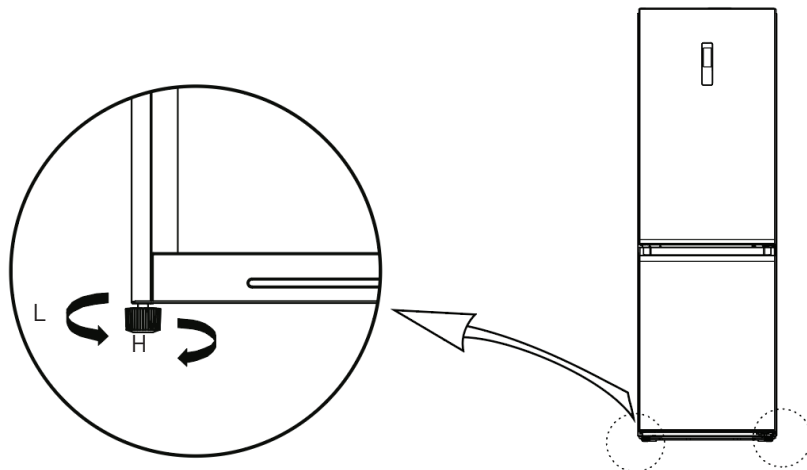
### OPGELET!

Alvorens accessoires te installeren of aan te passen, zorg ervoor dat de stekker van de koelkast uit het stopcontact is gehaald.

Er moeten voorzorgsmaatregelen worden getroffen om vallen van de hendel te voorkomen waardoor persoonlijke letsels kunnen ontstaan.

**Stelvoeten**

Schematisch diagram van de verstelvoeten

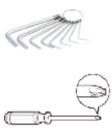
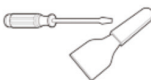


Bovenstaande afbeelding is enkel ter referentie. De eigenlijke configuratie is afhankelijk van het product of de verklaring van de verdeler.



Aanpassingsprocedures:

- Draai de voeten in wijzerzin om de koelkast te verhogen;
- Draai de voetjes tegen de klok in om de koelkast te verlagen;
- Pas de rechter en linker voet op basis van de bovenstaande procedures aan naar een horizontaal niveau.

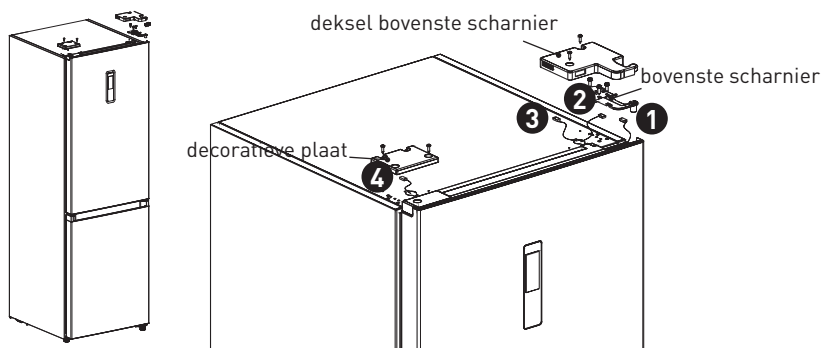
**Deur links-rechts veranderen**

Lijst met gereedschap dat door de gebruiker voorzien dient te worden			
	Kruiskopschroevendraaier		Plamuurmes platkopschroevendraaier

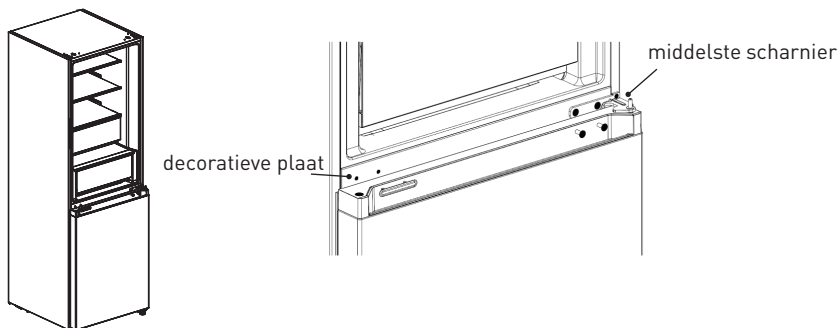
## Lijst met gereedschap dat door de gebruiker voorzien dient te worden

	<p>5/16" dopratelsleutel</p>		<p>Afplaktape</p>
--	----------------------------------	---	-------------------

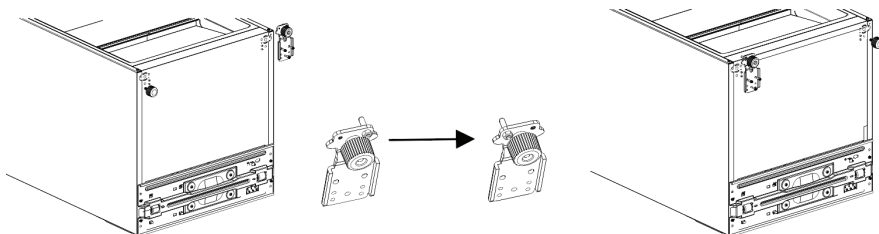
- Schakel dit toestel af alvorens de handeling uit te voeren. Haal alle voedingsmiddelen van de legplanken.
- Verwijder het deksel van de bovenste scharnier links, de decoratieve plaat, het deksel van de bovenste scharnier rechts en de bovenste scharnier rechts en koppel de signaallijn (signaallijnterminal **1**, **2**) aan de bovenkant van de behuizing los.



- Verwijder de deur van het koelcompartiment (zorg ervoor geen kleine onderdelen te verliezen, zoals de schachtmouw en stop op de deur);
- Verwijder de middelste scharnier en verwijder de decoratieve bekleding van het scharniergat aan de andere kant.



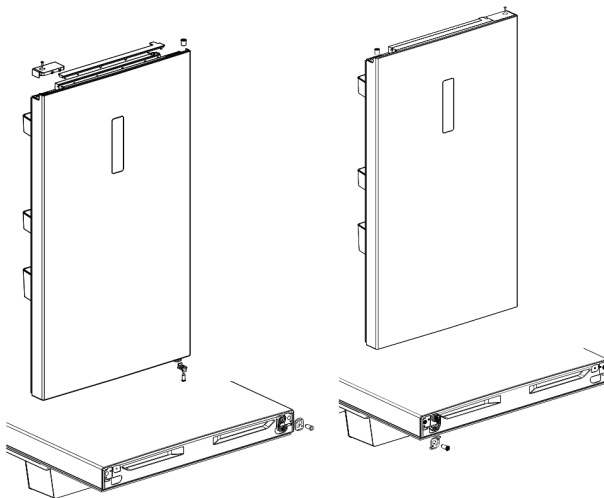
- Verwijder de vriezerdeur (zorg ervoor geen kleine onderdelen te verliezen, zoals de schachtmouw en stop op de deur);
- Verwijder de scharnier en pas de hoek aan. Verwijder en installeer de onderste scharnieras aan de andere kant van de scharnier en installeer de gewijzigde onderste scharnier aan de andere kant van de doos.



- De koelkastdeur veranderen:

1) Verwijder de afdekplaat van de bovensijde van de koelkastdeur en de linker decoratieve afdekking. Installeer de bovenste schachthuls en de signaallijn van de deur naar de andere kant en bedek de bovenste afdekplaat. Haal de juiste decoratieve hoes uit de accessoireszak en installeer deze aan de andere kant van de bovenkant van de deur.

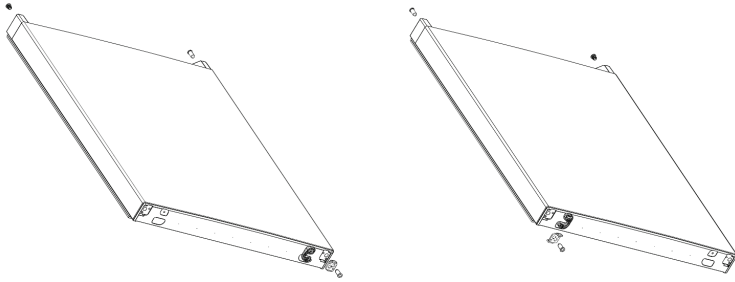
2) Verwijder het zelfsluitmechanisme van de deur, de deurstop en de schachtmouw van de koelkastdeur, neem het zelfsluitmechanisme van de linker deur uit de accessoireszak, installeer het aan de linkerkant van de onderkant van de koelkastdeur, verander de deurstop en schachtmouw aan de linkerkant van de onderkant van de koelkastdeur.



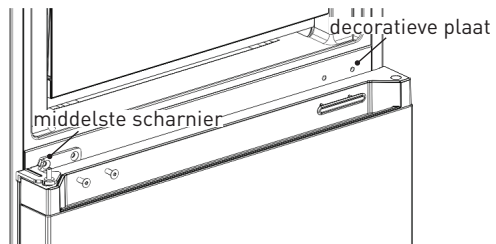
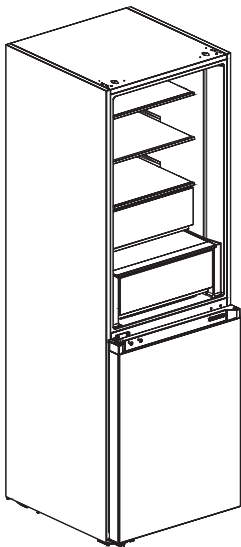
- De vriezerdeur veranderen:

1) Verwijder de schachthuls en dop van de bovenklep van de vriezerdeur en installeer ze op de linker en rechter wisselposities.

2) Verwijder het zelfsluitmechanisme van de deur, de deurstop en de schachtmouw van de vriezerdeur, neem het zelfsluitmechanisme van de linker deur uit de accessoirezak, installeer het aan de linkerkant van de onderkant van de koelkastdeur, verander de deurstop en schachtmouw aan de linkerkant van de onderkant van de vriezerdeur.



- Installeer de omgekeerde vriezerdeur op de onderste scharnier, installeer vervolgens de middelste scharnier en bedek de decoratieve afdekking van het scharniergat.

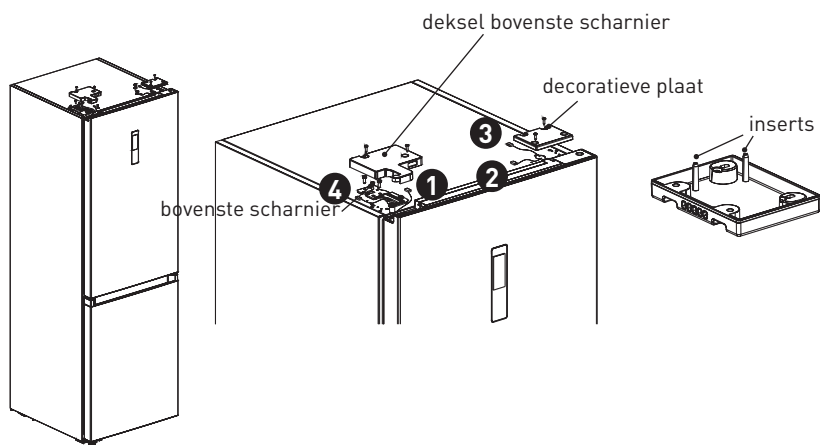


- Haal het deksel van de bovenste scharnier links en de bovenste scharnier links uit het zakje met accessoires. Plaats de koelkastdeur op de middelste scharnier en installeer de bovenste scharnier links. Sluit de bovenste signaallijn van de koelkast **4** aan op de signaallijn van de deurbehuizing **1**, en sluit de signaallijn **2** aan op de signaallijn **3**. Herplaats tot slot de scharnier van de decoratieve plaat aan de rechterkant van de behuizing.

Opmerking: De twee terminals **2** en **3** moeten worden aangesloten, anders zal het displaycontrolescherm op de deur niet worden weergegeven omdat het circuit geen stroom meer heeft.

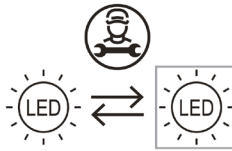
### OPMERKING:

Wanneer de scharnier van de decoratieve plaat opnieuw aan de rechterkant van de behuizing wordt geplaatst, worden de twee inzetstukken op de scharnier van de decoratieve plaat afgesneden (zoals weergegeven op de afbeelding).



De bovenstaande afbeelding is enkel ter referentie. De eigenlijke configuratie is afhankelijk van het product of de verklaring van de verdeler.

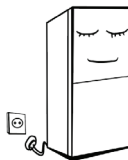
## De lamp vervangen



- Dit product heeft een lichtbron van energie-efficiëntieklasse G.
- De lichtbron van dit product mag enkel vervangen worden door gekwalificeerde professionals.
- Gelieve contact op te nemen met de dienst na verkoop wanneer de lichtbron defect is.
- De lichtbron dient op het einde van de levensduur van het product te worden verwijderd, waarbij het sorteren en recyclen afzonderlijk gebeurt.

	<p>1. Trek eerst de stekker uit het stopcontact.</p>		<p>2. Verwijder het afdekplaatje van de lamp met een schroevendraaier.</p>
	<p>3. Verwijder het lampaneel.</p>		<p>4. Verwijder de aansluitterminal.</p>

## Inschakeling



- Na transport, laat het product langer dan 2 uur rusten alvorens het aan te zetten. Zo niet kan dit leiden tot een afname van het koelvermogen of tot beschadiging van het product.
- Alvorens verse of diepgevroren voeding te plaatsen, moet de koelkast 2 tot 3 uur lang hebben gewerkt of in de zomer langer dan 4 uur wanneer de omgevingstemperatuur hoog is.
- Trek de stekker uit het stopcontact in geval van stroomonderbreking of reiniging. Wacht minstens vijf minuten voor u de stekker van de diepvriezer in het stopcontact steekt om schade aan de compressor als gevolg van opeenvolgende starts te vermijden.

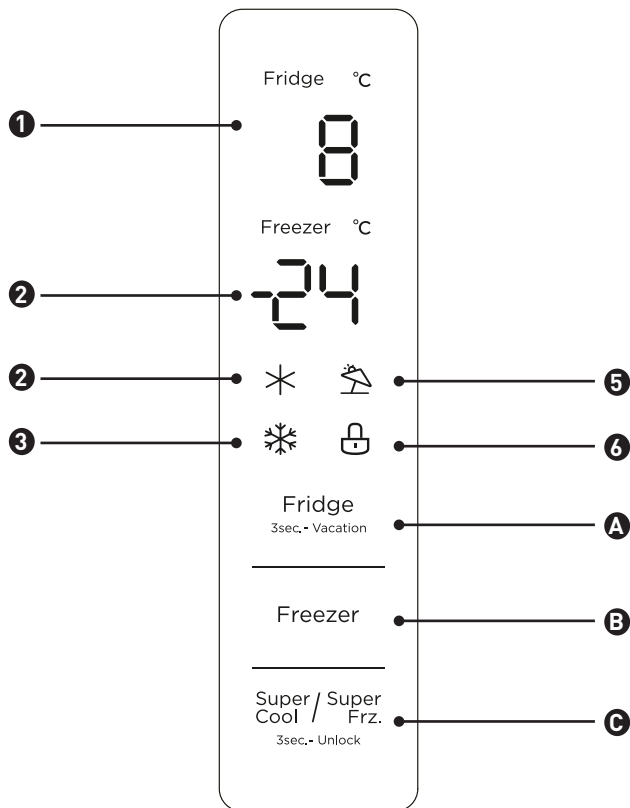
**Tips om energie te besparen**

- Het toestel moet in de koelste ruimte van de kamer worden geplaatst, verwijderd van toestellen die warmte genereren of verwarmingskanalen en mag niet in rechtstreeks zonlicht staan.
- Laat hete voedingswaren afkoelen tot kamertemperatuur alvorens ze in het toestel te plaatsen. Wanneer het toestel te vol wordt geladen, zal de compressor gedwongen zijn langer te werken. Voedingswaren die te langzaam worden diepgevroren kunnen hun kwaliteit verliezen of bederven.
- Zorg ervoor dat voedingswaren naar behoren worden verpakt en wrijf containers droog alvorens ze in het toestel te plaatsen. Zo vermindert de opbouw van rijp binnen in het toestel.
- De opslaglade van het toestel mag niet afgedekt worden met aluminiumfolie, vetvrij papier of keukenpapier.
- Afdekmaterialen hinderen de circulatie van koude lucht waardoor het toestel minder efficiënt wordt.
- Organiseer de voedingswaren en kleef er etiketten op om het aantal keren dat de deuren worden geopend te verminderen en om te vermijden dat lang moet worden gezocht. Verwijder in één keer zo veel artikelen als nodig en sluit de deur zo snel mogelijk



## Structuur en functies

### Functies




### Weergavescherm

- 1 Weergaveruimte van de temperatuur in het koelcompartiment
- 2 Weergaveruimte van de temperatuur in het diepvriescompartiment
- 3 Pictogram snel koelen
- 4 Pictogram snel invriezen
- 5 Pictogram vakantie
- 6 Pictogram vergrendeling

### Bedieningsknop

- A** Knop voor het instellen van de temperatuur van het koelcompartiment
- B** Knop voor het instellen van de temperatuur van het diepvriescompartiment
- C** Knop Supercool / Super freezing

### Weergavescherm

- Wanneer de koelkast de eerste keer wordt ingeschakeld, zal het volledige weergavescherm 3 seconden lang oplichten. Vervolgens gaat het weergavepaneel naar de normale weergavemodus. De eerste keer wanneer de koelkast wordt gebruikt, bedraagt de standaard ingestelde temperatuur van de koelruimte en de diepvriesruimte respectievelijk 5°C/-18°C.
- Wanneer er een fout optreedt, zal de foutcode op het weergavepaneel verschijnen; wanneer het toestel normaal werkt verschijnt op het weergavescherm de ingestelde temperatuur van de koelruimte of de diepvriesruimte.
- Wanneer het toestel normaal werkt en er geen handeling wordt uitgevoerd of de deur niet wordt geopend binnen 30 seconden, zal het weergavescherm worden vergrendeld en zal de lamp van het weergavescherm na de continu vergrendelde status  van 30 seconden uit gaan.

### Vergrendelen/ontgrendelen

- In de niet-vergrendelde status, druk op knop supercool/superfreezer en houdt deze 3 seconden ingedrukt om naar de vergrendelde status te gaan en de vergrendelzoemer zal weerklinken.
- In de vergrendelde status, druk op knop supercool/superfreezer en houdt deze 3 seconden ingedrukt om naar de ontgrendelde status te gaan en de ontgrendelzoemer zal weerklinken.
- Wanneer er 30 seconden lang geen knop wordt ingedrukt, zal het toestel automatisch in vergrendelde status gaan en zal het externe weergavebord een muziekzoemer voortbrengen op hetzelfde moment als wanneer de vergrendelzoemer weerklinkt.
- De handeling om het alarmsignaal vrij te geven kan in de vergrendelde status worden uitgevoerd en alle andere belangrijke handelingen moeten worden uitgevoerd in de ontgrendelde status.
- Wanneer de handeling wordt uitgevoerd in de vergrendelde status, zal een foutzoemer weerklinken.

### Temperatuurinstelling van de koelruimte

- Klik op de knop Fridge  
3sec.- Vacation om de temperatuurinstelling van het koelcompartiment te wijzigen. Telkens wanneer u op de knop voor het aanpassen van de temperatuur van het koelcompartiment klikt, zal de ingestelde temperatuur met 1°C verminderen. Het bereik voor de temperatuurinstelling van het koelcompartiment is 2-8°C. Wanneer de temperatuur ingesteld is op 2°C, klik opnieuw op de knop en de ingestelde temperatuur van het koelcompartiment zal overschakelen naar 8°C.

### Temperatuurinstelling van de diepvriesruimte

- Klik op de knop Freezer om de temperatuurinstelling van het diepvriescompartiment te wijzigen. Telkens wanneer u op de knop voor het aanpassen van de temperatuur van het diepvriescompartiment klikt, zal de ingestelde temperatuur met 1°C verminderen. Het bereik voor de temperatuurinstelling van het diepvriescompartiment is -24°C ~ -16°C. Wanneer de temperatuur ingesteld is op -24°C, klik opnieuw op de knop en de ingestelde temperatuur van het diepvriescompartiment zal overschakelen naar -16°C.

Thermostaatinstelling voor ambient T ° C : NORMAAL ≈ +24°C (± 4°C)	3°C/-19°C
Thermostaatinstelling voor ambient T ° C : KOUD ≈ +16°C (± 4°C)	3°C/-19°C
Thermostaatinstelling voor ambient T ° C : HEET ≈ +32°C (± 4°C)	2°C/-18°C

### Instellingsmodus

- Druk lang op de knop voor het instellen van de temperatuur van het koelcompartiment (3 sec.) om de vakantiemodus in te stellen/te annuleren
- Wanneer de vakantiemodus wordt ingesteld, wordt de koeling uitgeschakeld, gaat de weergavezone voor de koeltemperatuur uit en wordt het invriezen automatisch ingesteld op -18°C;
- Wanneer de knoppen koeling/invriezen/superkoelen en superfreezer worden geactiveerd, wordt de vakantiemodus uitgeschakeld.
- Bij het verlaten van de vakantiemodus keert de instelling van de koeltemperatuur automatisch terug naar de ingestelde temperatuur voor de vakantiemodus; de instelling van de diepvriestemperatuur keert automatisch terug naar de ingestelde temperatuur voor de vakantiemodus; naar de normale werkmodus gaan.

### Supervriesmodus

- Superkoel- en supervriesmodus, druk op de knop superkoelen/supervriezen, de ingestelde sequentie is: **superkoelen -> supervriezen -> annuleren**
- Wanneer de superkoelmodus wordt ingesteld/geannuleerd, gaat het overeenkomstige pictogram superkoelen aan/uit; wanneer de superkoelmodus wordt ingesteld, wordt de koeling automatisch ingesteld op 2°C;
- Wanneer de superkoelmodus wordt verlaten, keert de ingestelde temperatuur van het koelcompartiment automatisch terug naar de ingestelde temperatuur voor de snelkoelmodus;
- Wanneer de supervriesmodus wordt ingesteld, gaat het overeenkomstige pictogram supervriezen branden; wanneer de supervriesmodus wordt ingesteld, wordt de temperatuur automatisch ingesteld op -24°C;
- Wanneer de supervriesmodus wordt verlaten, keert de ingestelde temperatuur van het diepvriescompartiment automatisch terug naar de ingestelde temperatuur voor de supervriesmodus;
- Superkoelmodus automatisch 6 uur lang uitgeschakeld.
- Supervriesmodus automatisch 24 uur lang uitgeschakeld.

De supervriesfunctie is speciaal ontwikkeld om de voedingswaarde van de voeding in de diepvriezer te behouden. Hiermee kan de voeding in de kortst mogelijk tijd worden ingevroren. Wanneer tezelfdertijd een grote hoeveelheid voeding wordt ingevroren, is het aanbevolen dat de gebruiker de snelinvriesfunctie aanzet en de voeding in de diepvriezer plaatst. Op dat moment wordt de invriessnelheid van het diepvriescompartiment verhoogd, waardoor de voeding snel kan worden ingevroren, de voedingswaarde van de voeding effectief kan worden behouden en het opslaan wordt vergemakkelijkt.

- Druk tegelijkertijd 3 seconden op de knop  +  om het geluid van het openen van de deur in of uit te schakelen.

- Wanneer de koelkastdeur 120 seconden lang open blijft staan, zal het alarm weerklinken tot de koelkastdeur wordt gesloten; wanneer u op een knop drukt, zal het alarm doven.

#### Foutweergave

- De volgende waarschuwingen verschijnen op het weergavescherm en geven aan over welke fouten het gaat. Hoewel de koelkast nog steeds dezelfde koelopslagfunctie kan hebben met de volgende fouten, dient de gebruiker contact op te nemen met een onderhoudsspecialist om de optimale werking van het toestel te waarborgen.

<b>Foutcode</b>	<b>Foutomschrijving</b>
E1	Temperatuursensor van de koelruimte defect
E2	Temperatuursensor van de diepvriesruimte defect
E3	Temperatuursensor van de vlees- en viszone defect
E5	Ontdooisensor in de koelruimte defect
E6	Communicatiefout
E7	Defect sensor omgevingstemperatuur

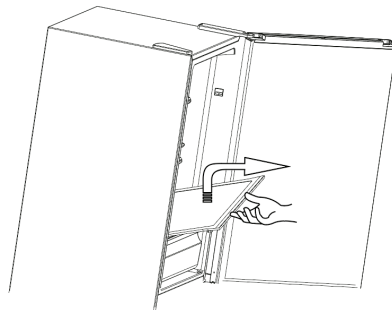
## Reiniging en onderhoud

### Globale reiniging

- Stof achter de koelkast en op de grond moet tijdig worden verwijderd om het koeleffect te verbeteren en energie te besparen.
- Controleer regelmatig de pakking van de deur om er zeker van te zijn dat er geen vuil aanwezig is. Reinig de pakking van de deur met een zachte doek die vochtig is gemaakt met zeepwater of met verdund reinigingsmiddel.
- De binnenkant van de koelkast moet regelmatig worden gereinigd om geurtjes te vermijden.
- Schakel het toestel uit en verwijder alle voedingswaren, dranken, legplanken, lades, enz. alvorens de binnenkant te reinigen. Gebruik een zachte doek of spons met twee eetlepels zuiveringszout en een kwart warm water om de binnenkant van de koelkast te reinigen. Spoel vervolgens met water en wrijf proper. Na het reinigen, open de deur en laat op natuurlijke wijze drogen alvorens het toestel opnieuw in te schakelen.
- Voor gebieden in de koelkast die moeilijk te reinigen zijn (zoals smalle gleuven, kloven of hoeken) is het aanbevolen om ze regelmatig af te wrijven met een zachte vod, een zachte borstel enz. en indien nodig gecombineerd met enkele hulpinstrumenten (zoals dunne stokjes) om ervoor te zorgen dat zich geen vuil of bacteriën in deze gebieden ophopen.
- Gebruik geen zeep, detergent, schuurpoeder, spray enz. omdat deze geurtjes binnen in de koelkast kunnen veroorzaken of ervoor kunnen zorgen dat voeding bederft.
- Reinig het flessenrek, de legplanken en de lades met een zachte doek bevochtigd met zeepwater of verdund reinigingsmiddel. Droog af met een zachte doek of laat op natuurlijke wijze drogen.
- Wrijf het buitenoppervlak van de koelkast af met een zachte doek bevochtigd met zeepwater, reinigingsmiddel, enz. en wrijf vervolgens droog.
- Gebruik geen harde borstels, stalen schoonmaakballen, draadborstels, schuurmiddelen (zoals tandpasta), organische oplosmiddelen (zoals alcohol, aceton, bananenolie, enz.), kokend water, zuur of alkaline die het oppervlak van de koelkast en de binnenkant kunnen beschadigen. Kokend water of organische oplosmiddelen, zoals benzeen, kunnen kunststof onderdelen vervormen of beschadigen. Spoel niet rechtstreeks af met water of andere vloeistoffen tijdens het reinigen om kortsluitingen te vermijden of te voorkomen dat de elektrische isolatie na onderdompeling wordt beïnvloed.

**WAARSCHUWING**

Trek de stekker uit het stopcontact voor u de koelkast ontdooit of reinigt.

**Reinigen van de glazen legplank**

- Verwijder de lade op de glazen legplank.
- Til de voorkant van de glazen legplank ongeveer 60° en trek ze uit.
- Verwijder de glazen legplank en reinig indien nodig.
- Voer de omgekeerde handeling uit om de glazen legplank opnieuw te plaatsen.

**Ontdooien**

- De koelkast is vervaardigd op basis van het luchtkoelingsprincipe en is bijgevolg voorzien van een automatische ontdooifunctie. Rijp die zich heeft gevormd als gevolg van een verandering van seizoen of temperatuur kan ook manueel worden verwijderd door de stekker van het toestel uit het stopcontact te trekken of door het af te wrijven met een droge handdoek.

**Het toestel werkt niet**

- Stroompanne: In geval van stroompanne, zelfs in de zomer, kan voeding in het toestel nog verschillende uren lang worden bewaard; tijdens de stroompanne moet het aantal keren dat de deur wordt geopend, worden verminderd en mag geen verse voeding in het toestel worden geplaatst.

- Het toestel wordt lange tijd niet gebruikt: De stekker van het toestel moet uit het stopcontact worden gehaald en vervolgens moet het toestel worden gereinigd; Laat de deuren open staan om geurtjes te voorkomen.
- Het toestel verplaatsen: Alvorens de koelkast te verplaatsen, verwijder alle voorwerpen die erin zitten, bevestig de glazen tussenschotten, de groentelade, de lades in de diepvriesruimte enz. met kleefband en draai de verstelvoetjes vast; sluit de deuren en verzegel ze met kleefband. Tijdens het verplaatsen mag het toestel niet onderste boven of horizontaal worden gelegd of mag het niet trillen; de hellingshoek tijdens het verplaatsen mag niet meer bedragen dan 45°.
- Het toestel moet blijven werken eenmaal het is ingeschakeld. Over het algemeen zal de werking van het toestel niet worden onderbroken; zo niet kan de levensduur in het gedrang komen.



## Probleemoplossing

U kunt proberen om de volgende eenvoudige problemen zelf op te lossen. Indien ze niet kunnen worden opgelost, gelieve dan contact op te nemen met de dienst na verkoop.

<b>Slechte werking</b>	<ul style="list-style-type: none"> <li>Controleer of het toestel ingeschakeld is en of de stekker goed in het stopcontact zit</li> <li>Controleer of het voltage niet te laag is</li> <li>Controleer of er geen kortsluiting is en of er circuits geactiveerd zijn geweest</li> </ul>
<b>Geurtjes</b>	<ul style="list-style-type: none"> <li>Sterk geurende voeding moet goed worden ingepakt</li> <li>Controleer of er geen rottende voeding aanwezig is</li> <li>Reinig de binnenkant van de koelkast</li> </ul>
<b>De compressor werkt lang</b>	<ul style="list-style-type: none"> <li>In de zomer is het normaal dat de koelkast lang werkt wanneer de omgevingstemperatuur hoog is</li> <li>Het wordt niet aanbevolen om te veel voeding tezelfdertijd in de koelkast te bewaren</li> <li>Voeding moet afgekoeld worden alvorens ze in het toestel wordt geplaatst</li> <li>De deuren worden te vaak geopend</li> </ul>
<b>Het lampje brandt niet</b>	<ul style="list-style-type: none"> <li>Controleer of de stekker van de koelkast in het stopcontact zit en of het lampje niet beschadigd is</li> <li>Laat het lampje vervangen door een specialist</li> </ul>
<b>De deuren kunnen niet naar behoren worden gesloten</b>	<ul style="list-style-type: none"> <li>Er zitten voedselpakketten tussen de deur</li> <li>Er is te veel voeding in de koelkast geplaatst</li> <li>De koelkast kantelt</li> </ul>
<b>Luid lawaai</b>	<ul style="list-style-type: none"> <li>Controleer of de vloer vlak is en of de koelkast stabiel staat</li> <li>Controleer of de accessoires op de juiste plaats zijn geïnstalleerd</li> </ul>
<b>De deur dicht niet volledig af</b>	<ul style="list-style-type: none"> <li>Verwijder vreemde voorwerpen van de deurdichting</li> <li>Verwarm de deurdichting en laat ze vervolgens afkoelen om zich te herstellen (of blaas erop met een haardroger of gebruik een warme handdoek om ze te verwarmen)</li> </ul>
<b>De waterpan stroomt over</b>	<ul style="list-style-type: none"> <li>Er zit te veel voeding in de koelruimte of de opgeslagen voeding bevat te veel water waardoor het toestel sterk moet ontdooien</li> <li>De deuren zijn niet goed gesloten, waardoor rijp ontstaat als gevolg van de instroom van lucht en meer water als gevolg van het ontdooien</li> </ul>

**De behuizing is warm**

Via de behuizing ontsnapt er warmte die opgebouwd wordt in de condensator, wat normaal is. Wanneer de behuizing heet wordt als gevolg van een hoge omgevingstemperatuur, opslaan van te veel voeding of het uitschakelen van de compressor, zorg dan voor voldoende ventilatie om de hitte sneller te laten verdwijnen.

**Condensvorming op het oppervlak**

Condensvorming op het buitenoppervlak en deurdichtingen van de koelkast is normaal wanneer de omgevingstemperatuur te hoog is. Veeg de condens af

**Abnormaal lawaai**

- Gezoem: De compressor kan tijdens de werking zoemen en het gezoem is luid vooral bij het starten en het stoppen. Dit is normaal.
- Gekraak: De koelvloeistof die in het toestel stroomt, kan gekraak produceren, wat normaal is.

## Klimaatklassen

Klasse	Symbool	Bereik van de omgevingstemperatuur
Uitgebreid gematigd	SN	+ 10 tot + 32
Gematigd	N	+ 16 tot + 32
Subtropisch	ST	+ 16 tot 38
Tropisch	T	+ 16 tot + 43

- Uitgebreid gematigd: "dit koeltoestel werd ontworpen voor gebruik bij een omgevingstemperatuur van 10°C tot 32°C"; Gematigd: "dit koeltoestel werd ontworpen voor gebruik bij een omgevingstemperatuur van 16°C tot 32°C";
- Subtropisch: "Dit koeltoestel werd ontworpen voor gebruik bij een omgevingstemperatuur van 16°C tot 38°C";
- Tropisch: "dit koeltoestel werd ontworpen voor gebruik bij een omgevingstemperatuur van 16°C tot 43°C";

# ¡Gracias!

Gracias por elegir este producto VALBERG. Seleccionados, probados y recomendados por ELECTRO DEPOT, los productos de la marca VALBERG son fáciles de usar, fiables y de un acabado impecable. Gracias a este electrodoméstico, puede estar seguro de que cada uso le proporcionará satisfacción.

Bienvenido a ELECTRO DEPOT.

Visite nuestra página web: [www.electrodepot.es](http://www.electrodepot.es)

**A** **Vista previa del electrodoméstico**

Descripción del electrodoméstico

---

**B** **Uso del electrodoméstico**

Uso correcto de los frigoríficos  
Estructura y funciones

---

**C** **Información útil**

Limpieza y mantenimiento  
Solución de problemas

## Descripción del electrodoméstico

- 1 Cambio de puerta
- 2 Luz de LED
- 3 Bandeja
- 4 Cajón de frutas y verduras
- 5 Cajón para carne y pescado
- 6 Cajón
- 7 Bandeja de la puerta

La imagen anterior es solo para referencia. La configuración real dependerá del producto físico o de la declaración del distribuidor.

### Compartimento del frigorífico

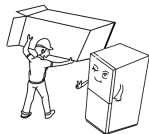
- La cámara de refrigeración es adecuada para almacenar diversos tipos de fruta, verdura, bebidas y otros alimentos que se vayan a consumir a corto plazo; el tiempo de conservación recomendado es de 3 a 5 días.
- Los alimentos cocinados no se deben introducir en la cámara de refrigeración hasta que se hayan enfriado hasta alcanzar la temperatura ambiente.
- Se recomienda que los alimentos se envasen antes de introducirlos en el frigorífico.
- Las bandejas de cristal se pueden subir o bajar para conseguir suficiente espacio de almacenamiento y facilitar su uso.

### Compartimento del congelador

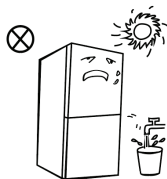
- El compartimento del congelador de baja temperatura puede mantener los alimentos frescos durante mucho tiempo y se utiliza principalmente para conservar alimentos congelados y elaborar hielo.
- El compartimento del congelador es adecuado para conservar carne, pescado, bolas de arroz y otros alimentos que no se vayan a consumir a corto plazo.
- Es preferible cortar la carne en trozos pequeños para que se congele rápidamente y facilitar el acceso. Tenga en cuenta que los alimentos se deben consumir antes de que caduquen.
- La posición de los cajones, las cajas de alimentos, las bandejas, etc., que se presenta en la imagen es la más eficiente energéticamente.

## Uso correcto de los frigoríficos

### Colocación

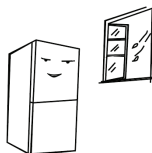


Antes de usar el aparato, retire todo el material de embalaje, incluidos los amortiguadores de la parte inferior, las almohadillas de espuma y las cintas del interior del frigorífico; retire la película de protección de las puertas y del cuerpo del frigorífico.

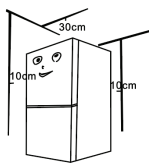


Mantenga el aparato alejado del calor y evite la luz directa del sol. No coloque el congelador en un lugar húmedo o con agua, para prevenir la formación de óxido o que se reduzca el efecto aislante.

No rocíe con agua ni lave el frigorífico; no coloque el frigorífico en lugares húmedos en los que pueda haber salpicaduras de agua, con el fin de que no se vean afectadas las propiedades de aislamiento eléctrico del frigorífico.

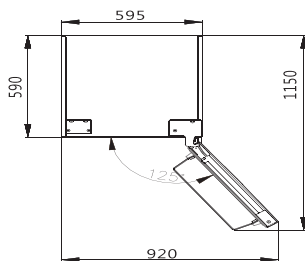


El frigorífico debe colocarse en un lugar interior con buena ventilación; el suelo debe ser plano y resistente (gire a la izquierda o a la derecha para ajustar las ruedas y nivelarlo si no quedara estable).



Este refrigerador debe instalarse de forma independiente y no puede utilizarse como aparato empotrado. De lo contrario, causará problemas como fallos al instalarlo en el armario, el rendimiento y la vida del aparato se reducirán. Y el fabricante no proporcionará la garantía básica del aparato.

El espacio superior del refrigerador debe ser superior a 30 cm y el refrigerador debe quedar colocado contra una pared, con una separación de más de 10 cm, para facilitar la disipación del calor.



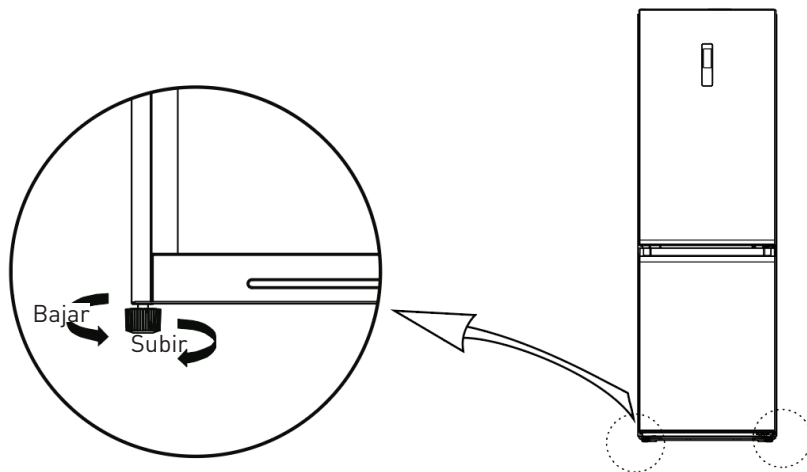
Suficiente espacio para abrir cómodamente las puertas y los cajones.

## PRECAUCIONES

Antes de instalar o ajustar los accesorios, debe asegurarse de que el refrigerador esté desconectado de la corriente. Debe tomar precauciones para evitar que la caída del tirador provoque lesiones personales.

**Patas niveladoras**

Diagrama esquemático de las patas de nivelación

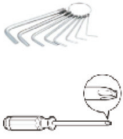
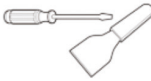


La imagen anterior es solo para referencia. La configuración real dependerá del producto físico o de la declaración del distribuidor.

Procedimientos de ajuste:

- Gire las patas en sentido horario para levantar el frigorífico.
- Gire las patas en sentido antihorario para bajar el frigorífico.
- Ajuste las patas derecha e izquierda siguiendo los procedimientos mencionados, hasta que el aparato quede nivelado horizontalmente.

**Cambio del sentido de apertura de la puerta derecha-izquierda**

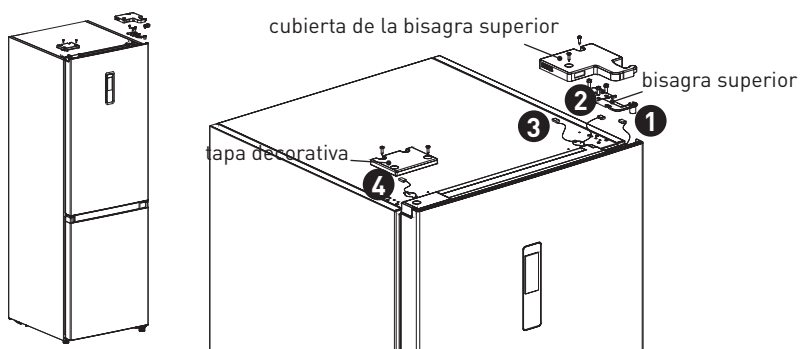
Lista de herramientas necesarias			
	Destornillador de estrella		Espátula fina y destornillador



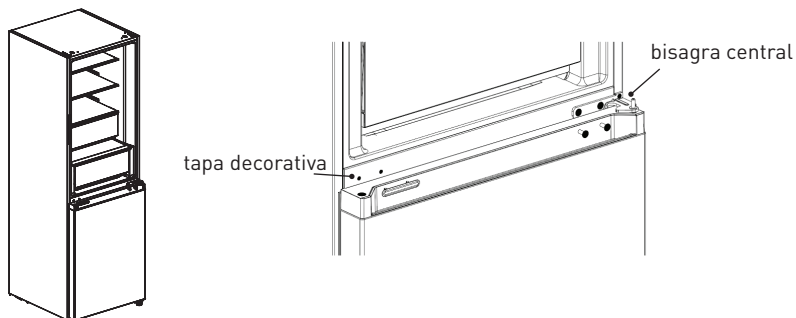
## Lista de herramientas necesarias

	Llave de tubo con trinquete de 5/16"		Cinta adhesiva
--	--------------------------------------	---	----------------

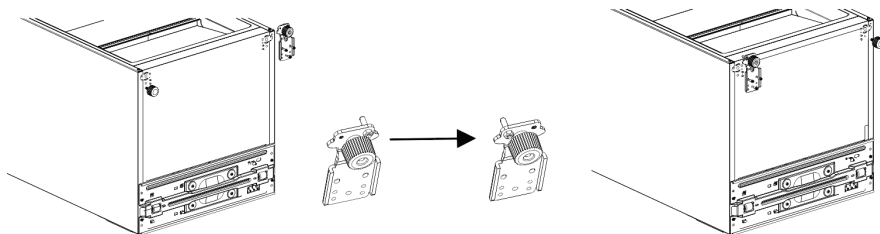
- Apague este electrodoméstico antes de llevar a cabo la operación. Retire toda la comida de los estantes de la puerta.
- Retire el cubre bisagra superior izquierdo, el cubre bisagra superior derecho y la bisagra superior derecha, y desconecte la línea de señal derecha (terminal de línea de señal **1**, **2**) en la parte superior del frigorífico.



- Retire el cuerpo de la puerta del frigorífico (tenga cuidado de no perder piezas pequeñas como el manguito y el tope de la puerta);
- Retire la bisagra central y retire la tapa decorativa del orificio de la bisagra del otro lado.



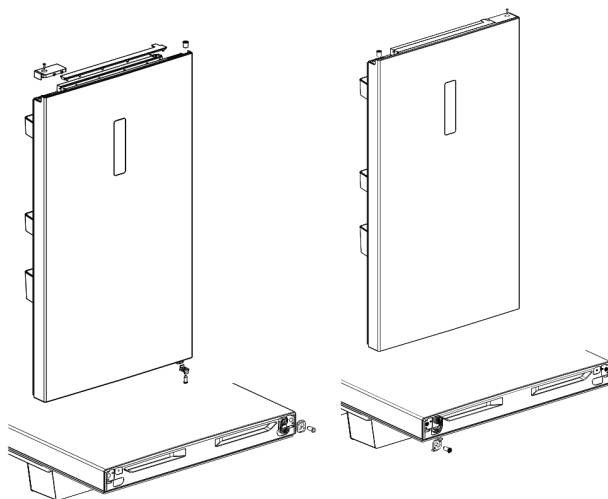
- Retire el cuerpo de la puerta del congelador (tenga cuidado de no perder piezas pequeñas como el manguito y el tope de la puerta);
- Retire la bisagra y ajuste el ángulo. Retire e instale el manguito de la bisagra inferior en el otro lado de la bisagra, e instale la bisagra inferior modificada en el otro lado de la caja.



- Cambie la puerta del frigorífico:

1) Retire la placa cobertora de la tapa del extremo superior de la puerta del frigorífico y la tapa decorativa izquierda. Instale el manguito superior y la línea de señal del cuerpo de la puerta en el otro lado y cubra la tapa cobertora del extremo superior. Saque la tapa decorativa derecha de la bolsa de accesorios e instálela en el otro lado de la tapa del extremo superior.

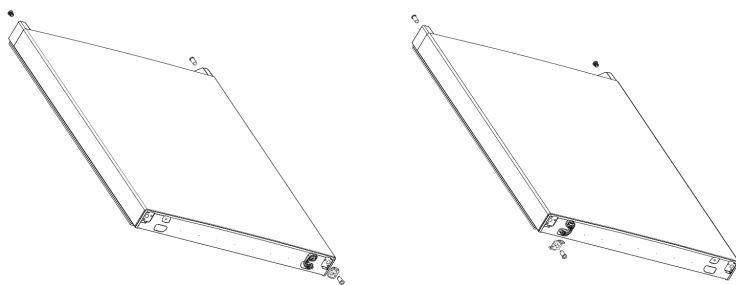
2) Retire el bloqueo automático de la puerta, el tope de la puerta y el manguito de la puerta del frigorífico, saque el bloqueo automático de la puerta izquierda de la bolsa de accesorios, instálelo en el lado izquierdo de la tapa del extremo inferior de la puerta del frigorífico, cambie el tope y el manguito de la puerta al lado izquierdo de la tapa del extremo inferior de la puerta del frigorífico.



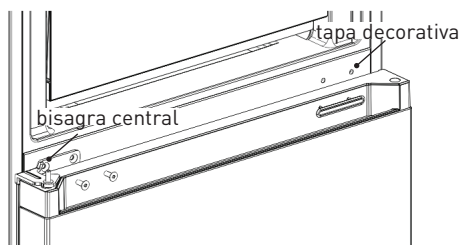
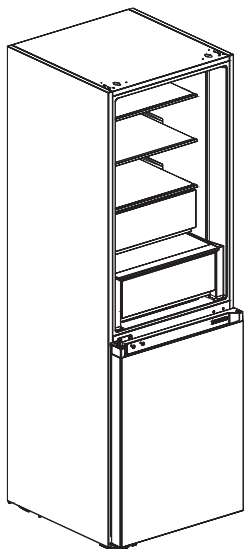
- Cambie la puerta del congelador:

1) Retire el manguito y el tapón de la tapa del extremo superior de la puerta del congelador e instálelos en las posiciones intercambiadas izquierda y derecha.

2) Retire el bloqueo automático de la puerta, el tope de la puerta y el manguito de la puerta del congelador, saque el bloqueo automático de la puerta izquierda de la bolsa de accesorios, instálelo en el lado izquierdo de la tapa del extremo inferior de la puerta del congelador, cambie el tope y el manguito de la puerta al lado izquierdo de la tapa del extremo inferior de la puerta del congelador.



- Instale la puerta del congelador cambiada en la bisagra inferior, después, instale la bisagra central y cubra el orificio de la bisagra con la tapa decorativa.

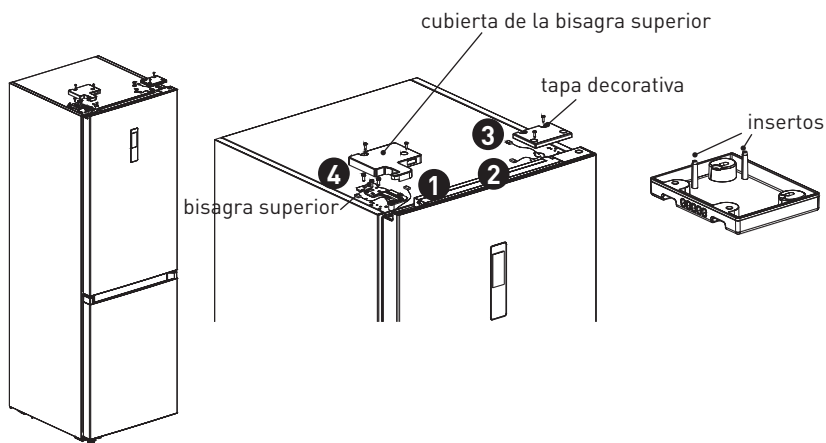


- Saque el cubre bisagra superior izquierdo y la bisagra superior izquierda de la bolsa de accesorios. Coloque la puerta en la bisagra central e instale la bisagra superior izquierda. Conecte la línea de señal superior del frigorífico **4** a la línea de señal del cuerpo de la puerta **1**, y conecte la línea de señal **2** a la línea de señal **3**. Por último, vuelva a colocar el cubre bisagra en el lado derecho.

Nota: Los dos terminales **2** y **3** deben estar conectados; de lo contrario, la pantalla de control de visualización en la puerta no se mostrará debido a que el circuito no tiene energía.

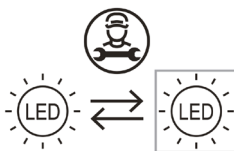
**NOTA:**

Cuando se sustituya el cubre bisagra del lado derecho, se cortarán las dos piezas insertadas del cubre bisagra (como se muestra en la figura).



La imagen anterior es solo de referencia. La configuración real dependerá del producto físico o las especificaciones del distribuidor.

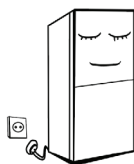
## Cambiar la luz



- Este producto contiene una fuente de luz de clase de eficiencia energética G.
- La fuente de luz de este producto solo puede ser reemplazada por profesionales calificados.
- Póngase en contacto con el servicio posventa si la fuente de luz deja de funcionar correctamente.
- La fuente de luz se retirará al final de la vida útil del producto para efectuar la clasificación y el reciclaje por separado.

	<p>1. Tire del enchufe antes de retirarlo.</p>		<p>2. Retire la pantalla de la lámpara con un destornillador.</p>
	<p>3. Retire el panel de la lámpara.</p>		<p>4. Retire el terminal de conexión.</p>

## Puesta en marcha



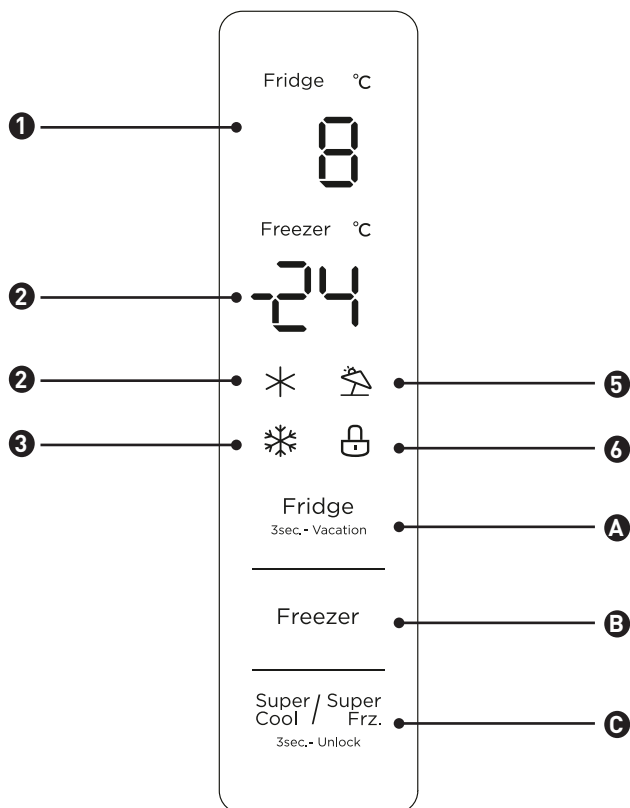
- Después del transporte, deje que el producto permanezca en reposo durante más de 2 horas antes de encenderlo; de lo contrario, se reducirá la capacidad de refrigeración o podría dañarse el producto.
- Antes de introducir alimentos frescos o congelados, el frigorífico debe funcionar durante 2-3 horas, o durante más de 4 horas en verano, cuando la temperatura ambiente es alta.
- Retire el enchufe en caso de corte de energía o limpieza. No conecte el congelador a la fuente de alimentación en los siguientes cinco minutos para evitar daños al compresor debido a arranques sucesivos.

**Sugerencias para ahorrar energía**

- El aparato se debe colocar en la zona más fresca de la habitación, lejos de otros aparatos que generen calor y de conductos de calefacción, y alejado de la luz directa del sol.
- Los alimentos calientes se deben enfriar hasta alcanzar la temperatura ambiente antes de introducirlos en el aparato. Si sobrecarga el aparato, el compresor tendrá que funcionar durante más tiempo. Los alimentos que se congelan demasiado lentamente podrían perder calidad o estropearse.
- Asegúrese de envolver los alimentos correctamente y seque bien los recipientes antes de introducirlos en el aparato. Así reducirá la acumulación de escarcha en el interior del aparato.
- El cajón de almacenamiento del aparato no se debe cubrir con papel de aluminio, papel encerado ni servilletas de papel.
- Los recubrimientos interfieren en la circulación del aire, lo que reduce la eficiencia del aparato.
- Organice y etiquete los alimentos para reducir las aperturas de la puerta y tener que pasar demasiado tiempo buscándolos. Retire todos los artículos que necesite de una vez y cierre la puerta lo antes posible.

## Estructura y funciones

### Funciones



### Pantalla de visualización

- 1 Zona de visualización de temperatura de la cámara de refrigeración
- 2 Zona de visualización de temperatura de la cámara de congelación
- 3 Icono de refrigeración rápida
- 4 Icono de congelación rápida
- 5 Icono de vacaciones
- 6 Icono de bloqueo

### Botón de funcionamiento

- A** Botón de ajuste de la temperatura de la cámara de refrigeración
- B** Botón de ajuste de la temperatura de la cámara de congelación
- C** Botón de superrefrigeración/supercongelación

### Pantalla

- Cuando se enciende el frigorífico por primera vez, se encenderá el panel de visualización completo durante 3 segundos. Después, el panel de visualización entrará en modo normal. La primera vez que se utiliza el frigorífico, la temperatura predeterminada de la cámara de refrigeración y la cámara de congelación es de 5°C / -18°C respectivamente.
- Si ocurre un error, el panel de la pantalla mostrará el código de error; durante el funcionamiento normal, la pantalla muestra la temperatura establecida de la cámara de refrigeración o cámara de congelación.
- Con un funcionamiento normal, si no se utiliza ni se abre la puerta en 30 segundos, la pantalla se bloqueará, la luz de la pantalla se apagará después de un estado bloqueado continuo durante 30 segundos.

### Bloqueo/desbloqueo

- En el estado desbloqueado, pulse y mantenga pulsado el botón de superrefrigeración/supercongelación durante 3 segundos para entrar en el modo de bloqueo y sonará el zumbido de bloqueo.
- En el estado bloqueado, pulse y mantenga pulsado el botón superrefrigeración/supercongelación durante 3 segundos para entrar en el modo de desbloqueo y sonará el zumbido de desbloqueo.
- Después de 30 segundos sin pulsar ningún botón, entrará automáticamente en el estado bloqueado, y el panel de la pantalla externa con un zumbido musical activará el zumbido de bloqueo al mismo tiempo.
- Se puede activar el sonido de la alarma en el estado bloqueado y todas las operaciones de las demás teclas se pueden activar en el estado desbloqueado.
- Si se activan en el estado bloqueado, se mostrará un zumbido de error.



### Ajuste de la temperatura de la cámara de refrigeración

- Pulse el botón Fridge<sub>3sec.</sub> Vacation para cambiar la temperatura establecida de la cámara de refrigeración, cada clic del botón de ajuste de temperatura de la cámara de refrigeración reducirá la temperatura establecida 1°C. El rango de ajuste de temperatura para la cámara de refrigeración es de 2°C a 8°C. Cuando la temperatura establecida es 2°C, pulse el botón de nuevo, la temperatura establecida de la cámara de refrigeración cambiará a 8°C.

### Ajuste de la temperatura del compartimento del congelador

- Pulse el botón Freezer para cambiar la temperatura establecida de la cámara de congelación, cada clic del botón de ajuste de temperatura de la cámara de congelación reducirá la temperatura establecida 1°C. El rango de ajuste de temperatura para la cámara de congelación es de -24 a -16°C. Cuando la temperatura es -24°C, pulse el botón de nuevo, la temperatura establecida de la cámara de congelación cambiará a -16°C.

Ajuste del termostato para T°C ambiente : NORMAL ≈ +24°C (± 4°C)	3°C/-19°C
Ajuste del termostato para T°C ambiente : FRIO ≈ +16°C (± 4°C)	3°C/-19°C
Ajuste del termostato para T°C ambiente : CALIENTE ≈ +32°C (± 4°C)	2°C/-18°C

### Ajuste del modo

- Mantenga pulsado el botón de ajuste de temperatura del frigorífico (3 seg.) para ajustar/cancelar el modo de vacaciones
- Al establecer el modo de vacaciones, el frigorífico se apaga, la zona de visualización de la temperatura del frigorífico se apaga, y el congelador se establece automáticamente en -18°C;
- Al ajustar los botones de refrigeración/congelación/superrefrigeración y supercongelación se saldrá del modo de vacaciones.
- Al salir del modo de vacaciones, la temperatura establecida del frigorífico volverá automáticamente a la temperatura establecida antes del modo de vacaciones; la temperatura establecida del congelador volverá automáticamente a la temperatura establecida antes del modo de vacaciones; entrará en el modo de funcionamiento normal.

### Modo de supercongelación

- Para el modo de superrefrigeración y supercongelación, presione el botón de superrefrigeración/supercongelación, la secuencia de ajuste es: **superrefrigeración -> supercongelación -> cancelar**
- Al establecer/cancelar el modo de superrefrigeración, el icono de superrefrigeración correspondiente se encenderá/apagará; al establecer el modo de superrefrigeración, la refrigeración se establece automáticamente en 2°C;
- Al salir del modo de superrefrigeración, la temperatura establecida de la cámara de refrigeración volverá automáticamente a la temperatura establecida antes del modo de superrefrigeración;
- Cuando se establece el modo de supercongelación, el icono de supercongelación correspondiente se enciende; cuando se establece el modo de supercongelación, la congelación se establece automáticamente en -24°C;
- Al salir del modo de supercongelación, la temperatura establecida de la cámara de congelación volverá automáticamente a la temperatura establecida antes del modo de supercongelación;
- El modo de superrefrigeración se desactiva automáticamente durante 6 h.
- El modo de supercongelación se desactiva automáticamente durante 24 h.

### NOTA

La función de supercongelación está diseñada para mantener el valor nutricional de los alimentos en el congelador. Puede congelar la comida en el menor tiempo. Si se congela una gran cantidad de alimentos a la vez, se recomienda activar la función de congelación rápida e introducir los alimentos. En este momento, la velocidad de congelación del compartimento del congelador aumenta, lo que puede congelar rápidamente alimentos, bloquear eficazmente el valor nutricional de estos y facilitar el almacenamiento.

- Presione el botón **Fridge** 3sec.- Vacation + **Freezer** al mismo tiempo durante 3 segundos para encender o apagar el sonido de apertura de la puerta.
- Si la puerta del frigorífico permanece abierta durante 120 segundos sin cerrarse, el zumbador sonará hasta que la puerta del frigorífico se cierre; ninguna tecla cancelará la alarma del zumbador.

#### Indicación de avería

- Las siguientes advertencias aparecerán en la pantalla para indicar las averías correspondientes del frigorífico. Aunque es posible que el frigorífico siga enfriando y congelando con las averías siguientes, el usuario debe contactar con un técnico de mantenimiento, de forma que se garantice el uso normal del frigorífico.

<b>Código de avería</b>	<b>Descripción de la avería</b>
E1	Fallo del sensor de temperatura del compartimento del frigorífico
E2	Fallo del sensor de temperatura del compartimento del congelador
E3	Fallo del sensor de temperatura de la zona carne y pescado
E5	Fallo del circuito de detección del sensor del compartimento del congelador
E6	Fallo de comunicación
E7	Fallo del sensor de temperatura ambiente

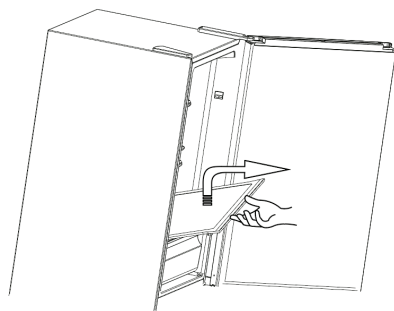
## Limpeza y mantenimiento

### Limpeza general

- El polvo que se acumula detrás del frigorífico y en el suelo se debe limpiar periódicamente para mejorar el efecto de refrigeración y el ahorro energético.
- Compruebe la junta de la puerta periódicamente para asegurarse de que no haya restos. Limpie la junta de la puerta con un paño suave humedecido con agua y jabón o con un detergente diluido.
- El interior del frigorífico se debe limpiar periódicamente para evitar olores.
- Desconecte la corriente eléctrica antes de limpiar el interior y retire todos los alimentos, bebidas, bandejas, cajones, etc. Utilice un paño suave o una esponja para limpiar el interior del frigorífico con dos cucharadas de bicarbonato sódico y un litro de agua caliente. A continuación, enjuague con agua y frote para dejar limpio el aparato. Después de limpiar, abra la puerta y deje que se seque naturalmente antes de volver a conectar la corriente eléctrica.
- En las zonas del frigorífico que resulte difícil limpiar (por ejemplo, rendijas estrechas, huecos o esquinas), se recomienda frotarlas periódicamente con un paño suave, un cepillo suave, etc., y si es necesario, usar otras herramientas auxiliares (por ejemplo, unos palillos) para asegurarse de que no se acumulen sustancias contaminantes o bacterias en esas zonas.
- No utilice jabón, detergentes, detergente en polvo, productos de limpieza con pulverizador, etc., ya que podrían generar olores en el interior del frigorífico o contaminar los alimentos.
- Limpie la estructura para botellas, las bandejas y los cajones con un paño suave humedecido con agua con jabón o detergente diluido. Seque con un paño suave o deje que se sequen naturalmente.
- Frote la superficie exterior del frigorífico con un paño suave humedecido con agua con jabón, detergente, etc., y luego frote con un paño para secar.
- No utilice cepillos rígidos, estropajos de acero, cepillos metálicos, productos abrasivos (por ejemplo, pasta de dientes), disolventes orgánicos (por ejemplo, alcohol, acetona, aceite de plátano, etc.), agua hirviendo o sustancias ácidas o alcalinas, que puedan dañar la superficie del frigorífico y su interior. El agua hirviendo y los disolventes orgánicos, como el benceno, pueden deformar o dañar las piezas de plástico. No enjuague directamente con agua u otros líquidos cuando limpie, para evitar cortocircuitos o que se vea afectado el aislamiento eléctrico después de sumergirlo.

**ADVERTENCIA**

Desenchufe el frigorífico para descongelar y limpiar.

**Limpieza del estante de cristal**

- Retire el cajón del estante de cristal.
- Levante la parte frontal del estante de cristal aproximadamente 60° y después sáquelo.
- Retire el estante de cristal y límpielo en caso necesario.
- Para instalar el estante de cristal, realice la operación inversa.

**Descongelación**

- El frigorífico funciona de acuerdo con el sistema de refrigeración por aire y tiene una función de descongelación automática. La escarcha que se forma debido al cambio de estación o de temperatura también se puede eliminar desconectando el aparato de la corriente eléctrica o frotando con un paño seco.

**Funcionamiento incorrecto**

- Corte eléctrico: En caso de corte eléctrico, aunque sea verano, los alimentos que se encuentran dentro del aparato se pueden conservar durante varias horas. Durante el corte eléctrico se deben reducir las aperturas de la puerta y no se deben introducir más alimentos en el aparato.
- Si el aparato no se va a usar durante mucho tiempo: El aparato se debe desenchufar y luego limpiar; las puertas se deben dejar abiertas para evitar olores.

- Desplazamiento: Antes de mover el frigorífico, saque todos los objetos del interior, sujete con cinta adhesiva las bandejas de cristal, el cajón para las verduras, los cajones del congelador, etc., y apriete las patas de nivelación. cierre las puertas y sujételas con cinta adhesiva. Al desplazar el aparato, no debe tumbarlo ni ponerlo al revés, ni debe provocar vibraciones. La inclinación durante el desplazamiento no debe superar los 45°.
- El aparato debe funcionar de forma continua una vez se ponga en marcha. Generalmente, el funcionamiento del aparato no deberá interrumpirse; de lo contrario, su vida útil podría reducirse.

## Solución de problemas

Puede intentar solucionar usted mismo los problemas sencillos siguientes. Si no puede solucionarlos, contacte con el departamento posventa.

<b>Fallo de funcionamiento</b>	<ul style="list-style-type: none"> <li>• Compruebe si el aparato está conectado a la corriente eléctrica o si el enchufe está bien introducido en la toma</li> <li>• Compruebe si el voltaje es demasiado bajo</li> <li>• Compruebe si se ha producido un corte eléctrico o si se han disparado circuitos parciales</li> </ul>
<b>Olores</b>	<ul style="list-style-type: none"> <li>• Los alimentos que huelen mucho se deben envolver bien</li> <li>• Compruebe si hay otros alimentos que se hayan estropeado</li> <li>• Limpie el interior del frigorífico</li> </ul>
<b>Funcionamiento prolongado del compresor</b>	<ul style="list-style-type: none"> <li>• El funcionamiento prolongado del compresor es normal en verano, cuando la temperatura ambiente es alta</li> <li>• Le recomendamos que no guarde demasiados alimentos en el aparato al mismo tiempo</li> <li>• Los alimentos deben enfriarse antes de introducirlos en el aparato</li> <li>• Las puertas se abren con demasiada frecuencia</li> </ul>
<b>La luz no se enciende</b>	<ul style="list-style-type: none"> <li>• Compruebe si el frigorífico está conectado a la corriente eléctrica y si la luz está dañada</li> <li>• Contacte con un especialista para que cambie la bombilla</li> </ul>
<b>Las puertas no se pueden cerrar bien</b>	<ul style="list-style-type: none"> <li>• La puerta no se cierra debido a los envases de alimentos</li> <li>• Se ha introducido demasiada comida</li> <li>• El frigorífico está inclinado</li> </ul>
<b>Ruido fuerte</b>	<ul style="list-style-type: none"> <li>• Compruebe si el suelo está nivelado y si el frigorífico está estable</li> <li>• Compruebe si los accesorios se encuentran en el lugar correcto</li> </ul>
<b>La junta de la puerta no queda hermética</b>	<ul style="list-style-type: none"> <li>• Retire los materiales extraños de la junta de la puerta</li> <li>• Caliente la junta de la puerta y luego deje que se enfríe para restaurarla (también puede secarla con un secador eléctrico o calentarla con un paño caliente)</li> </ul>

**La bandeja de agua se desborda**

- Hay demasiados alimentos en el aparato o los alimentos guardados contienen demasiada agua, lo que provoca descongelación
- Las puertas no están bien cerradas, lo que genera escarcha debido a la entrada de aire y un aumento de agua debido a la descongelación

**Carcasa caliente**

El calor del condensador integrado se disipa a través de la carcasa; esto es normal. Cuando la carcasa se calienta porque la temperatura ambiente es alta, ha introducido demasiada comida o se apaga el compresor, proporcione una buena ventilación para facilitar la disipación del calor.

**Condensación en la superficie**

La condensación en la superficie exterior y en las juntas de la puerta del frigorífico es normal cuando hay mucha humedad ambiente. Limpie el condensado

**Ruido anormal**

- Zumbido: El compresor podría emitir un zumbido cuando está funcionando. Ese zumbido puede ser muy fuerte al poner en marcha o detener el aparato. Esto es normal.
- Crujidos: El refrigerante que fluye por el interior del aparato podría generar crujidos. Esto es normal.

Clases climáticas

Clase	Símbolo	Rango de temperatura ambiente
Templado extendido	SN	+ 10 a + 32
Templado	N	+ 16 a + 32
Subtropical	ST	+ 16 a + 38
Tropical	T	+ 16 a + 43

- Templado extendido: 'este aparato de refrigeración está diseñado para ser utilizado a temperaturas ambiente que oscilen entre 10 °C y 32 °C'; templado: 'este aparato de refrigeración está diseñado para ser utilizado a temperaturas ambiente que oscilen entre 16 °C y 32 °C';
- Subtropical: 'este aparato de refrigeración está diseñado para ser utilizado a temperaturas ambiente que oscilen entre 16 °C y 38 °C';
- Tropical: 'este aparato de refrigeración está diseñado para ser utilizado a temperaturas ambiente que oscilen entre 16 °C y 43 °C';



