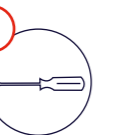
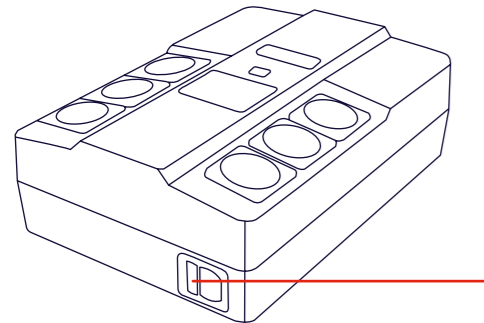


FAQ



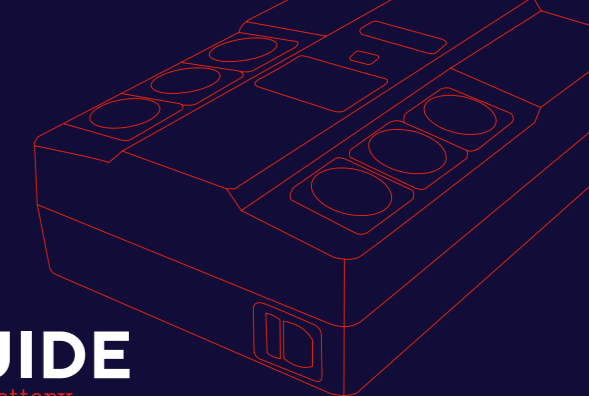
Thank you, and very clever of you to choose Trust!
We simplify everyday life with clever solutions.

**We hope you enjoy your new product.
Please consider the environment when disposing
of this product's packaging.**

• clever you

Trust.

MAXXON
USER GUIDE
Emergency back-up battery



FAQ

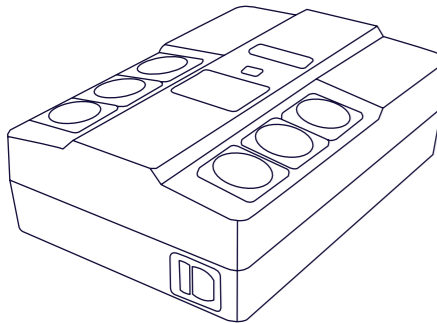
WWW.TRUST.COM/23326/FAQ

Trust International BV - Laan van Barcelona 600 - 3317DD, Dordrecht, The Netherlands

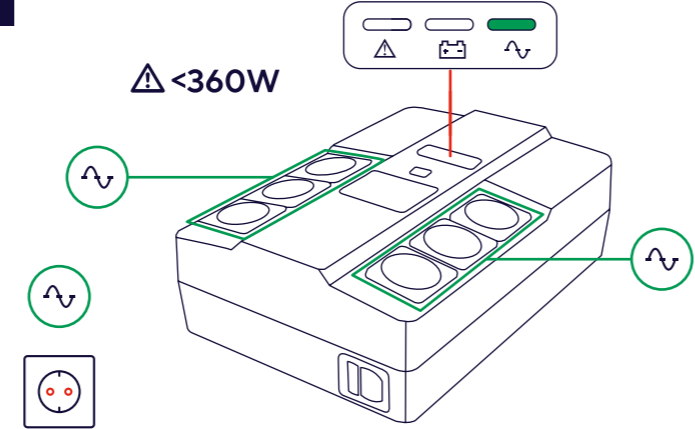
©2022 Trust All rights reserved.

Bedienungsanleitung | Mode d'emploi | Gebruikershandleiding | Manuale utente | Manual del usuario | Guia do utilizador | Brukerveiledning | Bruksanvisning | Käyttöopas | Brugsvejledning | Instrukcja obsługi | Návod k použití | Návod na používanie | Használati útmutató | Manual de utilizare | Ръководство за потребителя | Εγχειρίδιο χρήσης | Kullanıcı kılavuzu | Руководство пользователя | Uporabniški priročnik | Korisnički priručnik | Guia do usuário | Посібник користувача | مدد دسترس‌مندی

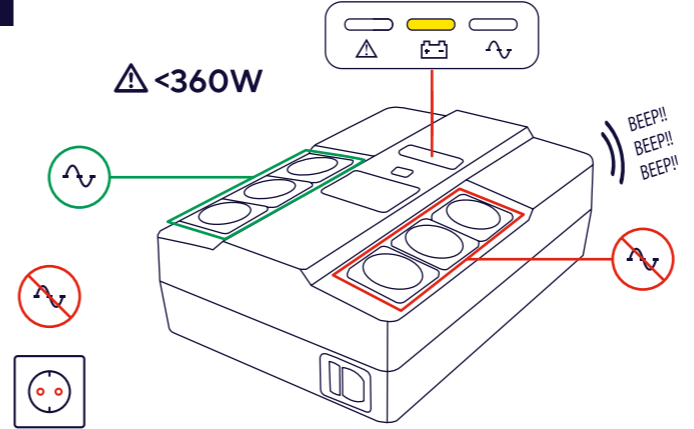
1.



2.



3.



4.

